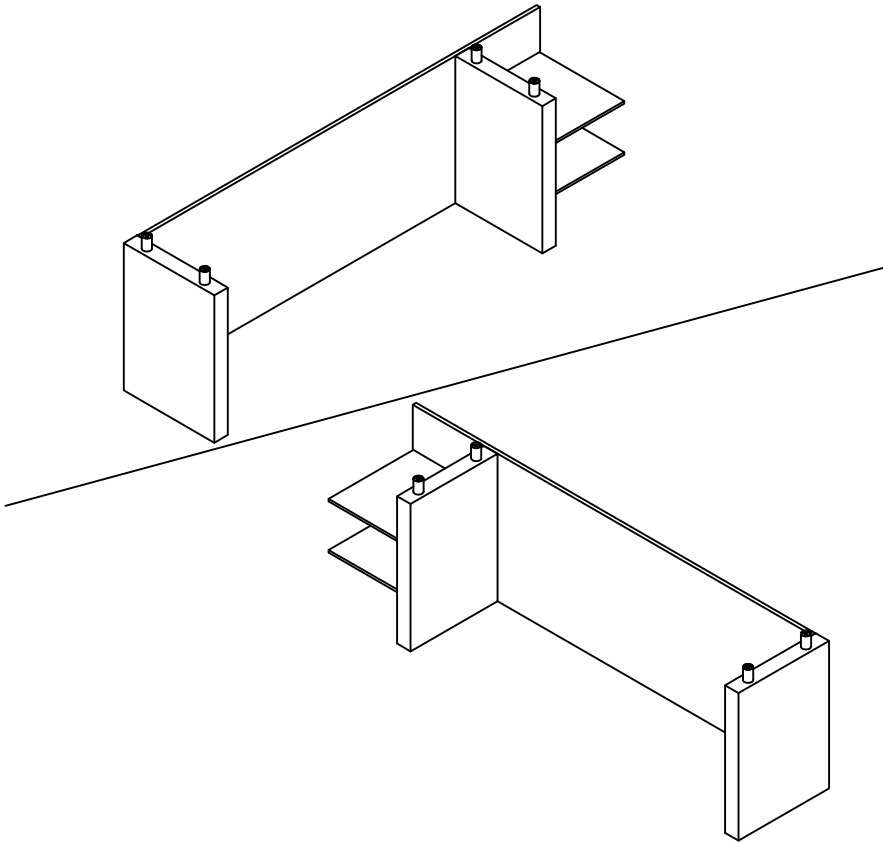




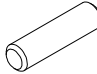







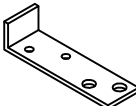
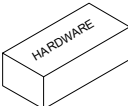

Sterling Series™
SUPPORT FRAME 72"/66"
Model No. STESSF72/66



ASSEMBLY INSTRUCTIONS

CALL 1-800-822-8037 FOR ASSISTANCE

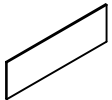

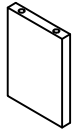

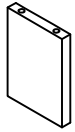

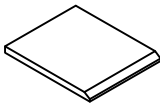

PARTS LIST

Name	Part	Qty.	Spare Qty	Name	Part	Qty.	Spare Qty
A	 REALS004 Wood Dowel	1	1	G	 REALS043 SCREW M6x15mm	4	1
B	 REALS001 Cam	6	1	H	 REALS626 M6x50mm	4	1
C	 REALS002 Cam Post	6	1	I	 REALS607 Base Stand-off	4	
D	 REALS102** Cam Sticker	7	1	J	 REALS634 Shelf Support	4	
E	 REALS633 L Mounting Plate	2			 STESSFHB		
F	 REALS005 Ø4x35mm Black	17	1				

Items with HB are in hardware box.

**Denotes Color Code

PARTS LIST

Name	Part	Qty.	Name	Part	Qty.
K	 STESSF~~K** Back Panel	1	P	 ^{HB} REALS628 EVA Tape 385mm	1
L	 STESSFL** Outside Panel	1	Q	 ^{HB} REALS627 EVA Tape 400mm	1
M	 STESSFM** Inside Panel	1	R	 ^{HB} REALS630 EVA Tape 1764mm FOR STESSF72	1
N	 STESSFN** Shelf Panel	2	R1	 ^{HB} REALS631 EVA Tape 1616mm FOR STESSF66	1

**Denotes Color Code
~~ Denotes Size-72/66

2

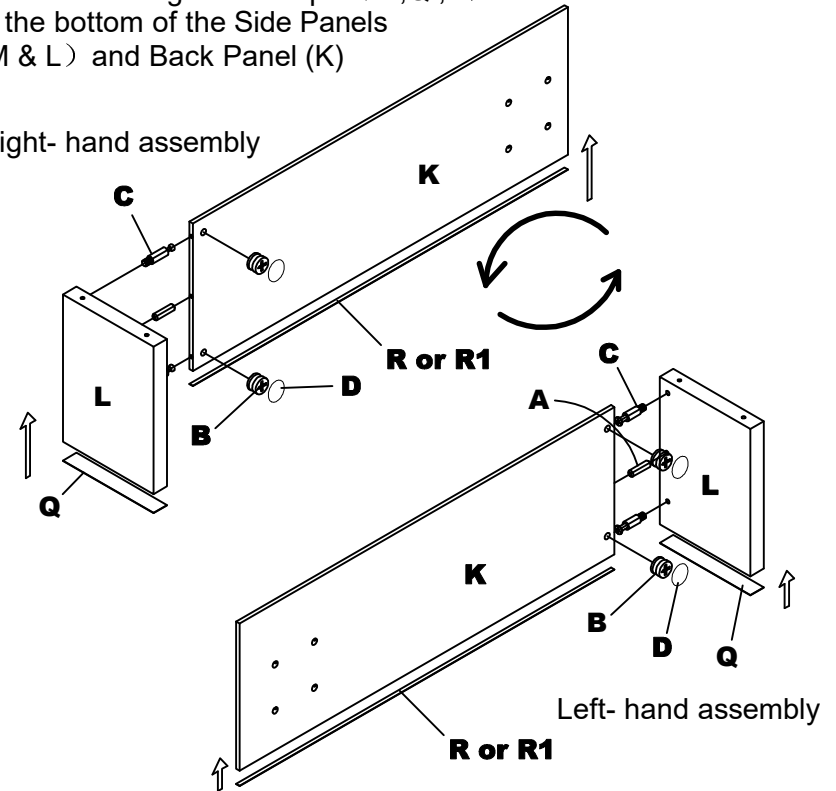
IMPORTANT!

Review ALL instructions before beginning assembly. These instructions are provided to avoid problems that may occur from improper assembly or installation. Mayline and/or its distributor are not responsible for failure resulting from improper assembly or installation of this product. Moreover, all warranties are void for failure to follow these assembly instructions.

1

Install Back Panel (K) to the outside Panel (L) for **STESSF 72 / 66**. Adhere the Single side Tape (P ,Q ,R) to the bottom of the Side Panels (M & L) and Back Panel (K)

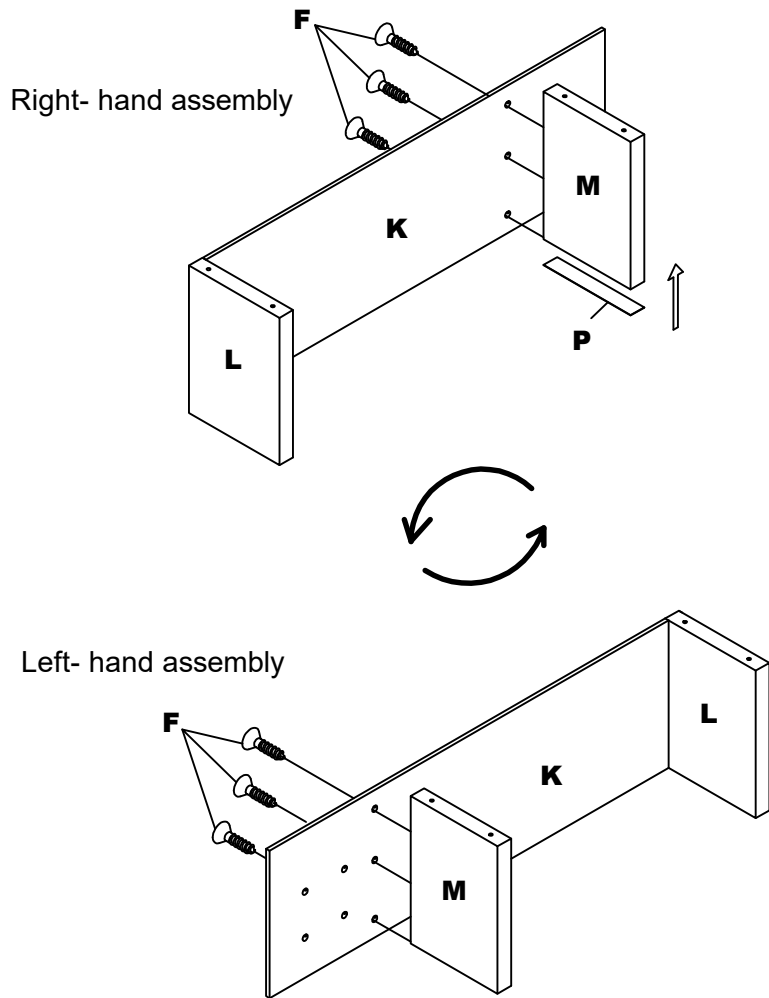
Right- hand assembly



Left- hand assembly

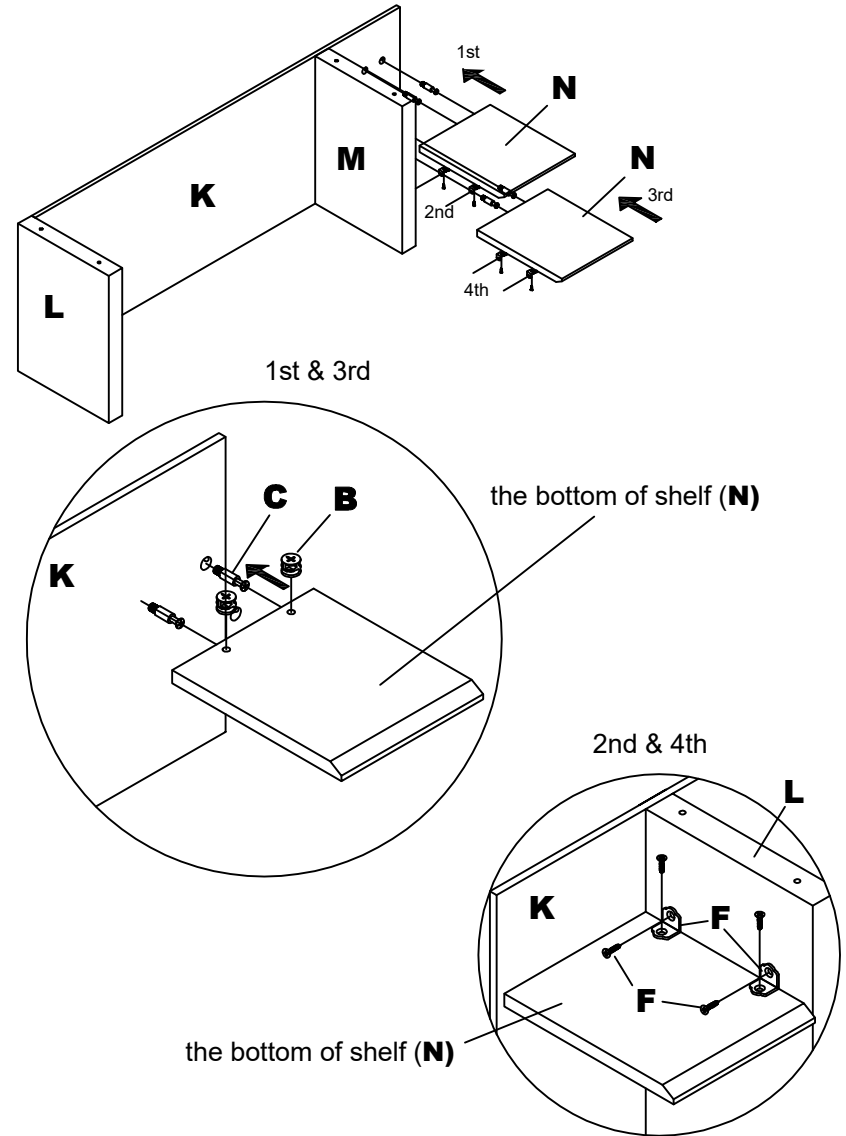
3

- ② Install Inside Panel (K) to the Back Panel by screw (F) going through back panel.



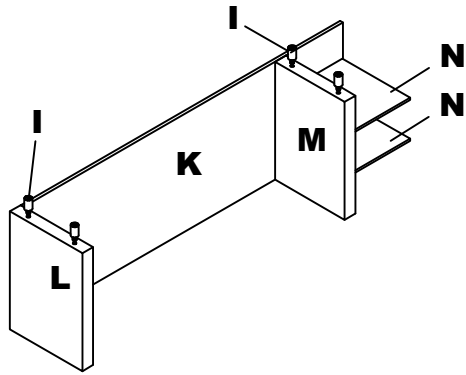
4

- ③ Install shelves Panel (N) to the Back Panel (K) and Inside Panel (M) .

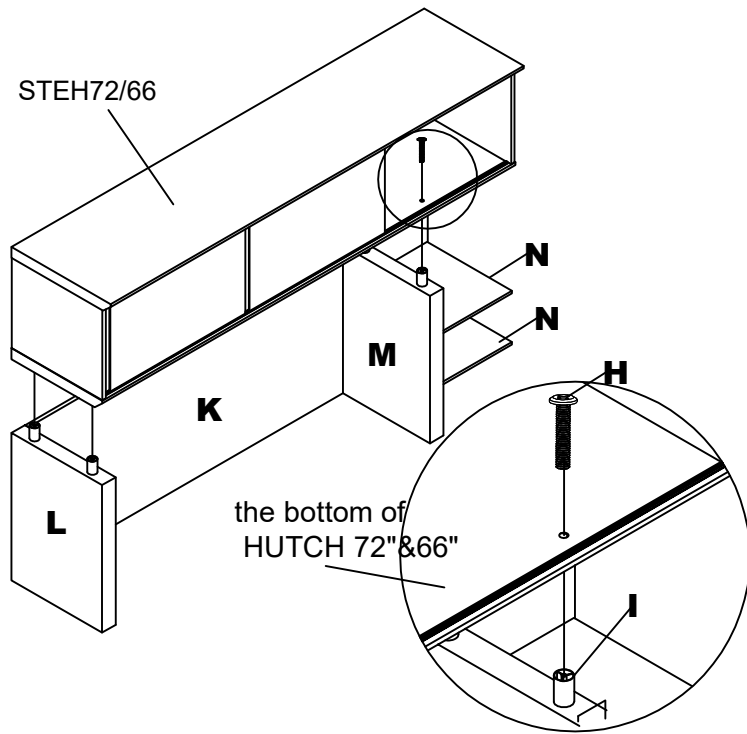


5

④ Install Base Stand-off (I) to Outside Panel (L) and Inside Panel (M).

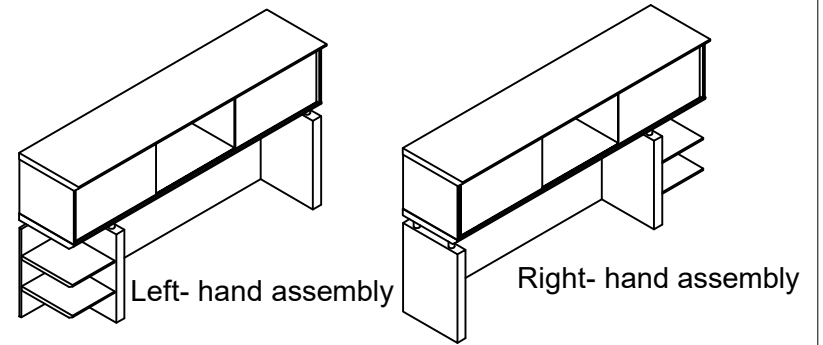


Assemble HUTCH STEH72"&66" to SUPPORT FRAME 72"&66" by screw (H) going through the bottom of HUTCH 72" & 66".

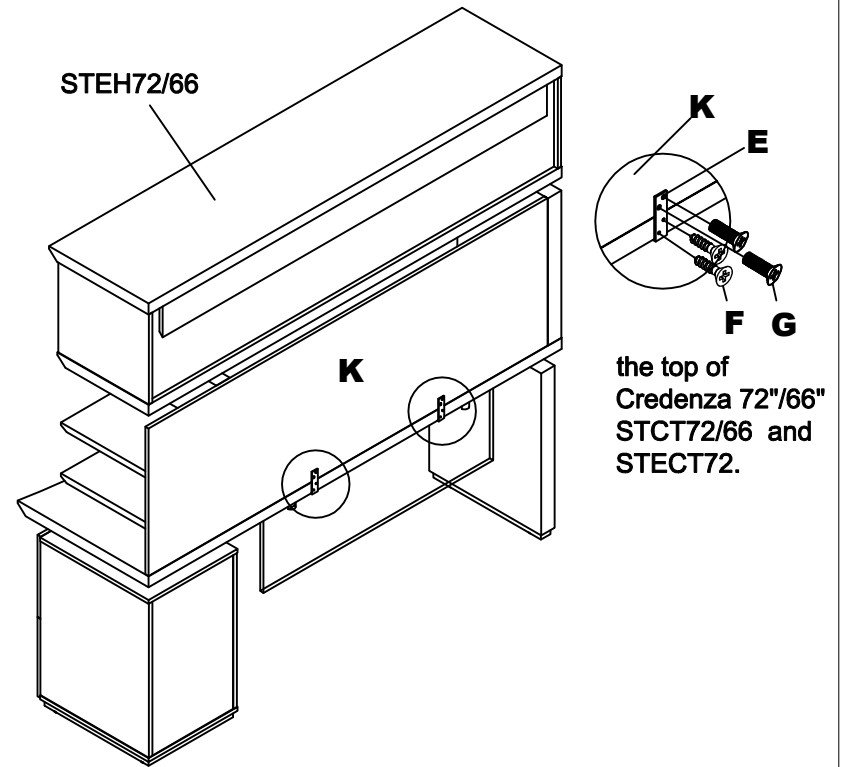


6

⑤



Place hutch 72"/66" and support frame 72"/66" onto Credenza 72" STCT72/66 and STECT72. using L Mounting Plate (E) ,Screw(G) and screw (F).



7