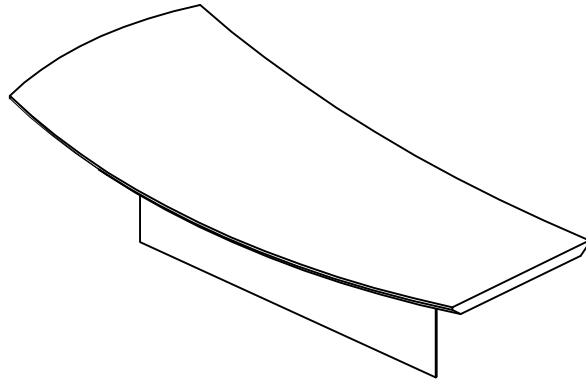




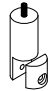
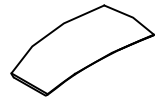

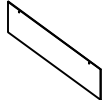

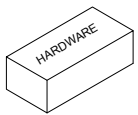
**Sterling Series™**  
**Desk, Right 72"/66"**  
**Model No. STRDT72/66**



**ASSEMBLY INSTRUCTIONS**

**CALL 1-800-822-8037 FOR ASSISTANCE**

# PARTS LIST

Name	Part	Qty.	Spare Qty	Name	Part	Qty.	Spare Qty
<b>A</b>	 <b>REALS604</b> Round Clamp	<b>2</b>		<b>D</b>	 <b>STRDT~**</b> Top	<b>1</b>	
<b>B</b>	 <b>REALS605</b> M6x20mm	<b>2</b>	<b>1</b>	<b>E</b>	 <b>STDTE**</b> Modesty Panel	<b>1</b>	
<b>C</b>	 <b>REALBY028</b> Wrench	<b>1</b>					
	 <b>STDTHB</b>						

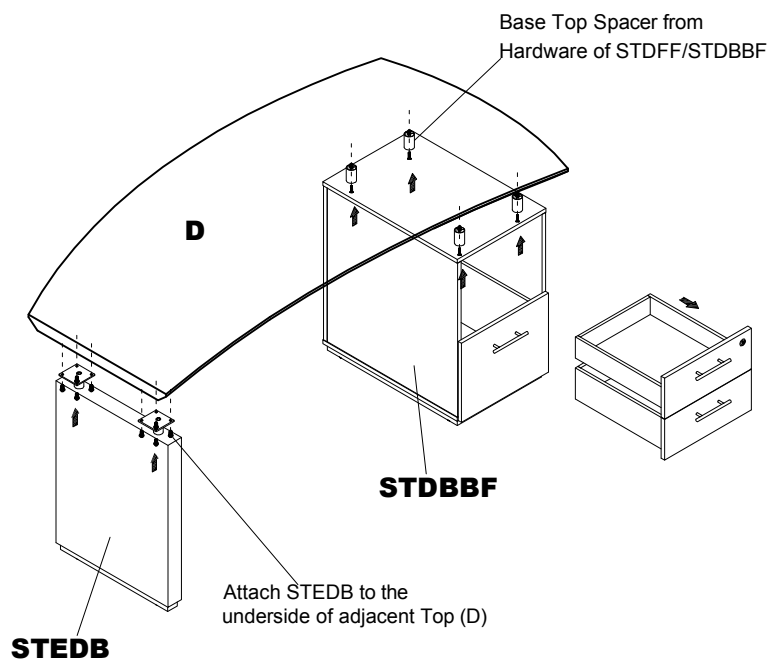
Items with HB are in hardware box.

\*\*Denotes Color Code

~~ Denotes Size-72/66

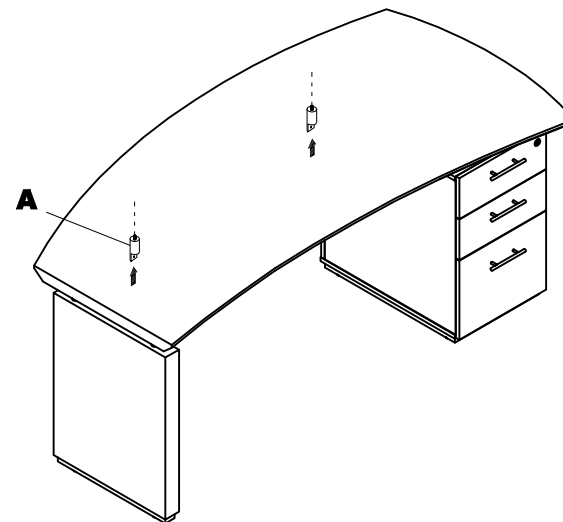
## IMPORTANT!

**Review ALL instructions before beginning assembly.** These instructions are provided to avoid problems that may occur from improper assembly or installation. Mayline and/or its distributor are not responsible for failure resulting from improper assembly or installation of this product. Moreover, all warranties are void for failure to follow these assembly instructions.

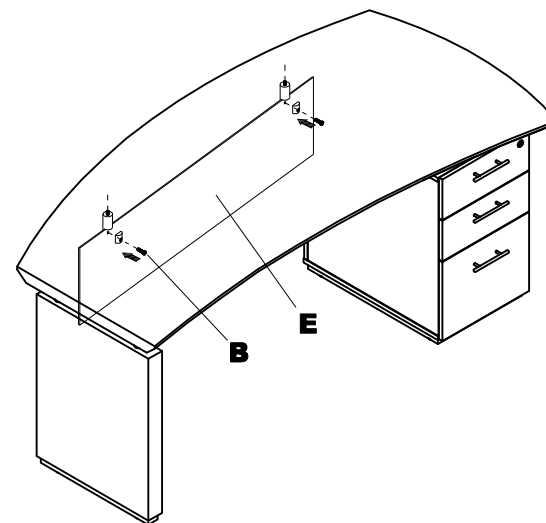


**2**

- 1 Install Round Clamp (A) into the Bottom of Top for STRDT72 / 66.



- 2 Install the Modesty Panel (E) by Round Clamp (A) and Screws (B).



**3**