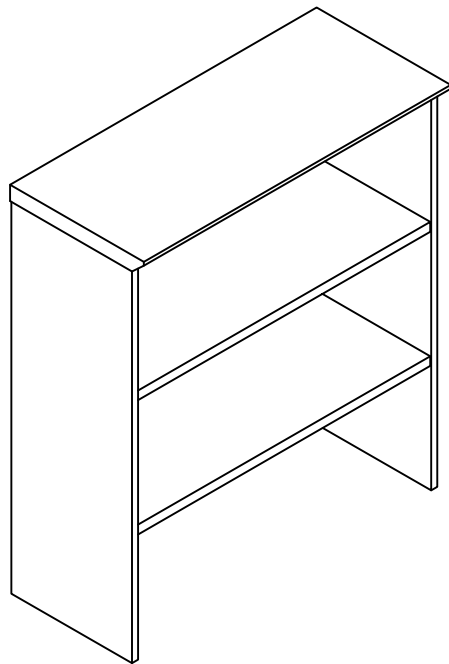


**MAYLINE**

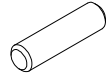




**Sterling Series™  
Bookcase, 3 Shelf  
Model No. STSCB3**


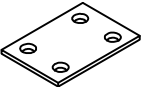


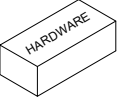


**ASSEMBLY INSTRUCTIONS**

**CALL 1-800-822-8037 FOR ASSISTANCE**

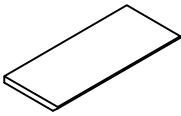
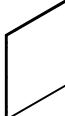
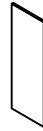
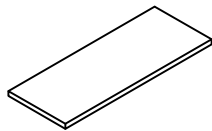

**PARTS LIST**

Name	Part	Qty.	Spare Qty
<b>A</b>	 <b>REALS004</b> Wood Dowel	<b>8</b>	<b>1</b>
<b>B</b>	 <b>REALS001</b> Cam	<b>12</b>	<b>1</b>
<b>C</b>	 <b>REALS002</b> Cam Post	<b>12</b>	<b>1</b>
<b>D</b>	 <b>REALS102**</b> Cam Sticker	<b>12</b>	<b>1</b>
<b>E</b>	 <b>REALS009</b> Shelf Support	<b>8</b>	<b>1</b>

Name	Part	Qty.	Spare Qty
<b>F</b>	 <b>REALS005</b> Ø4x16mm Black	<b>8</b>	<b>2</b>
<b>G</b>	 <b>REALS609</b> 50x35x2mm	<b>2</b>	
<b>H</b>	 <b>REALS622</b> EVA Tape 355mm	<b>2</b>	
<b>I</b>	 <b>REALS623</b> EVA Tape 864mm	<b>1</b>	
	 <b>STSCB3HB</b>		

Items with HB are in hardware box.  
\*\*Denotes Color Code

# PARTS LIST

Name	Part	Qty.	Name	Part	Qty.
J	 <b>STSCB3J**</b> Top	1	M	 <b>STSCB3M**</b> Back Panel	1
K	 <b>STSCB3K**</b> Left Side Panel	1	N	 <b>STSCB3N**</b> Shelf Panel	2
L	 <b>STSCB3L**</b> Right Side Panel	1			

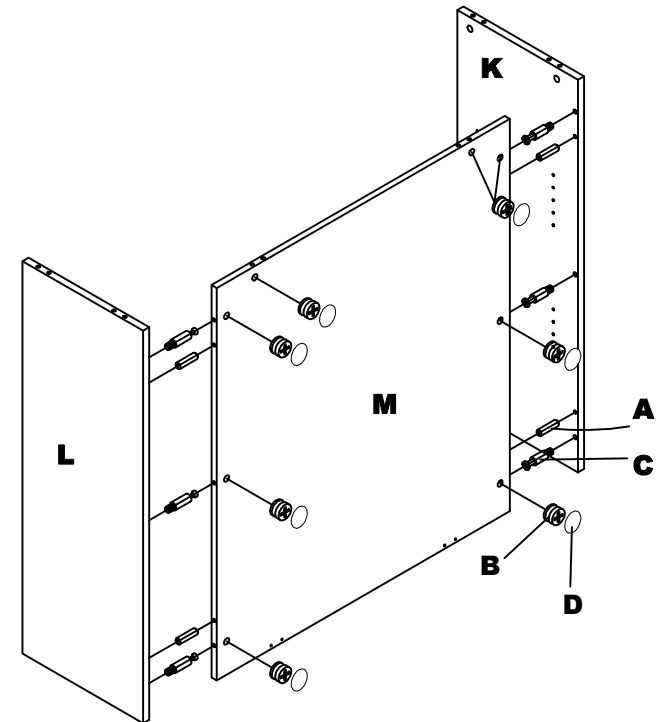
\*\*Denotes Color Code

2

## IMPORTANT!

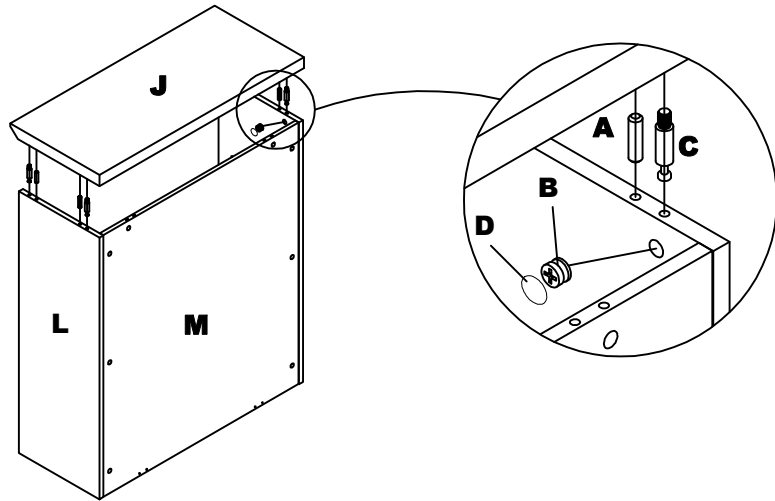
**Review ALL instructions before beginning assembly.** These instructions are provided to avoid problems that may occur from improper assembly or installation. Mayline and/or its distributor are not responsible for failure resulting from improper assembly or installation of this product. Moreover, all warranties are void for failure to follow these assembly instructions.

- 1 Insert Wood Dowels (A) into Back Panels (M). Insert Cam (B) into Back Panel (M). Install Cam Posts (C) Side Panels (K&L). Attach Side Panels (K&L) to assembled cabinet by turning Cams (B). Apply Cam Stickers (D) to Cams (B) of Back Panel (M).

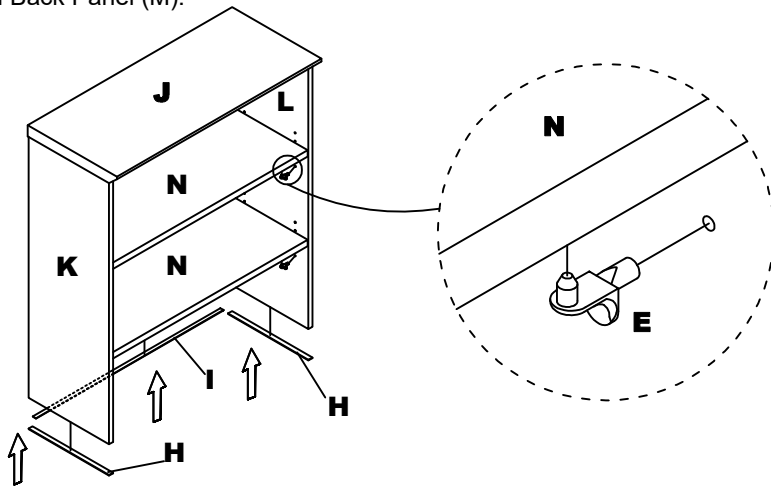


3

- 2** Insert Wood Dowels (A) into Side Panels (K & L). Insert Cam (B) into Side Panel (K & L). Install Cam Posts (C) Top(J). Attach Top (J) to assembled cabinet by turning Cams (B). Apply Cam Stickers (D) to Cams (B) of Side Panel (K & L).

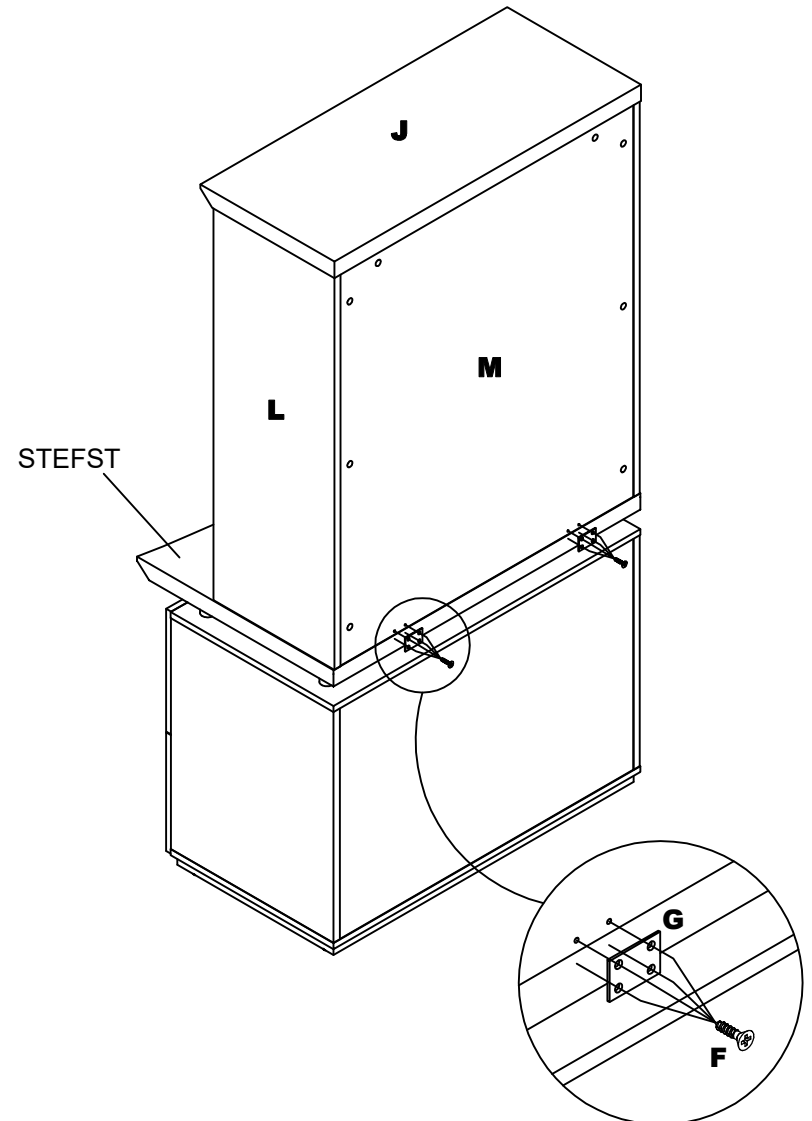


- 3** Insert Shelf Supports (E) into the Side Panels (K & L) at the desired height. Put the Shelf Panel (N) on the Shelf Supports (E). Adhere the Single side Tape (H & I) to the bottom of the Side Panels (M & N) and Back Panel (M).



**4**

- 4** Install Mounting Plate(G) into Back panel (M) and The back of TOP (STEFST) by using Screws (F).



**5**