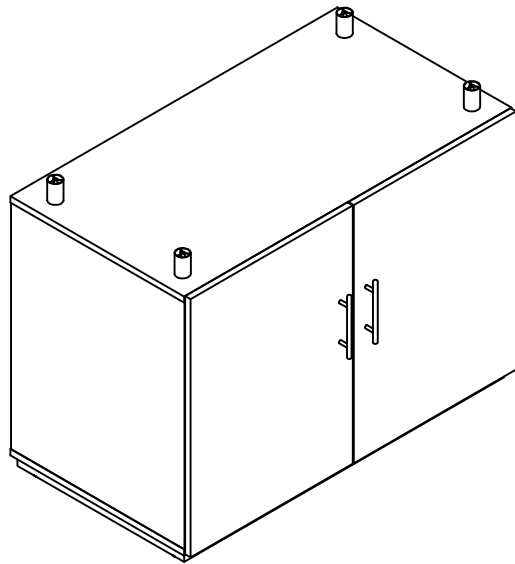


MAYLINE

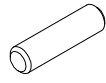
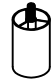



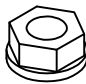


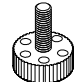
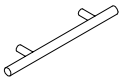

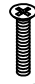

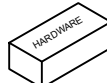
Sterling Series™
Storage Cabinet
Model No. STSLWDC



ASSEMBLY INSTRUCTIONS

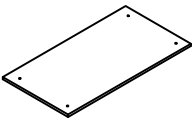
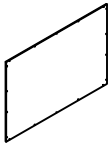
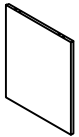
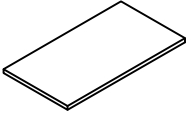
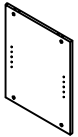
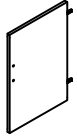

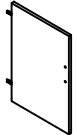
CALL 1-800-822-8037 FOR ASSISTANCE

PARTS LIST

Name	Part	Qty.	Spare Qty	Name	Part	Qty.	Spare Qty
A	 REALS004 Wood Dowel	8	1	H	 REALS607 Ø32*50mm Base Stand-off	4	
B	 REALS001 Cam	8	1	I	 REALS637 M6 x 35mm	4	1
C	 REALS002 Cam Post	8	1	J	 REALS638 M6 Flange Nut	4	1
D	 REALS102** Cam Sticker	8	1	K	 REALS639 10mm Wrench	1	
E	 REALS425 Leveler	4		T	 REALS410 Handle-96mm Center	2	
F	 REALS009 Shelf Support	4	1	U	 REALS045 Handle Screw-M4x25mm	4	1
G	 REALS146 Ø3x19mm	18	1		 STSLWDC HB		

Items with HB are in hardware box.
 **Denotes Color Code

PARTS LIST

Name	Part	Qty.	Name	Part	Qty.
L	 STSLWDC L** Top	1	P	 STSLWDC P** Back Panel	1
M	 STSLWDC M** Left Side Panel	1	Q	 STSLWDC Q** Shelf Panel	1
N	 STSLWDC N** Right Side Panel	1	R	 STSLWDC R** Right Wood Door	1
O	 STSLWDC O** Bottom Panel	1	S	 STSLWDC S** Left Wood Door	1

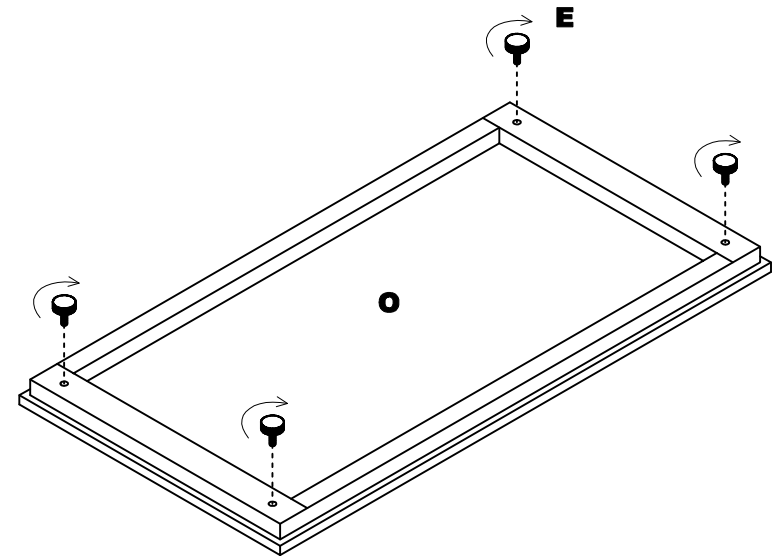
**Denotes Color Code

2

IMPORTANT!

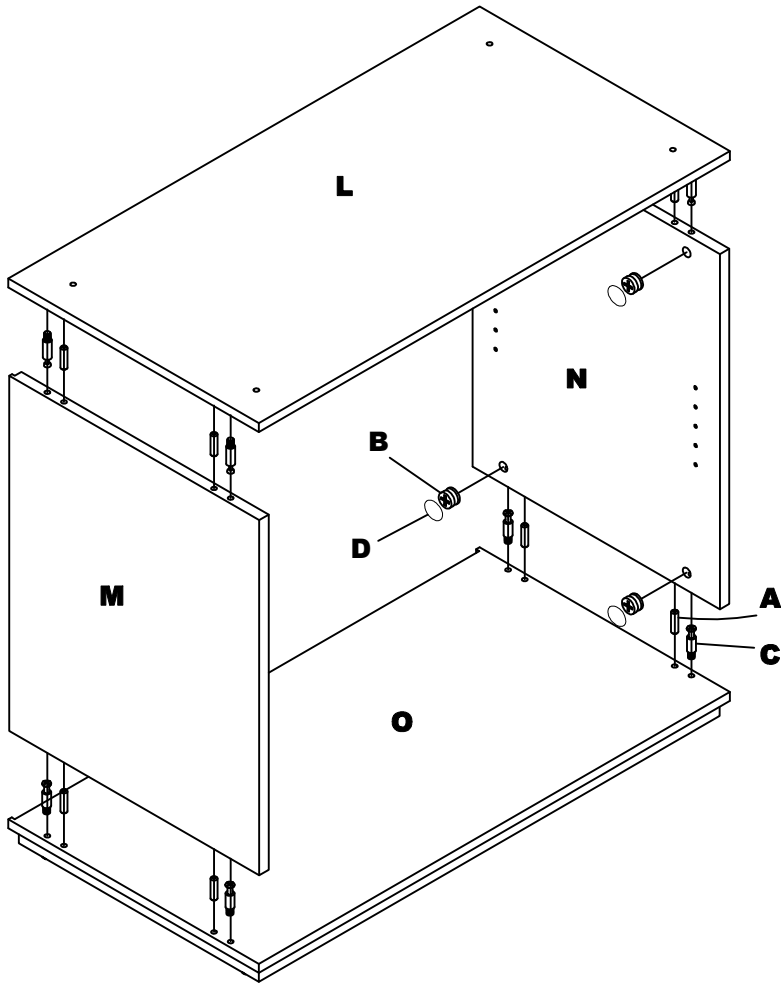
Review ALL instructions before beginning assembly. These instructions are provided to avoid problems that may occur from improper assembly or installation. Mayline and/or its distributor are not responsible for failure resulting from improper assembly or installation of this product. Moreover, all warranties are void for failure to follow these assembly instructions.

- 1 Install Levelers (E) into threaded inserts in underside of Bottom Panel (B).



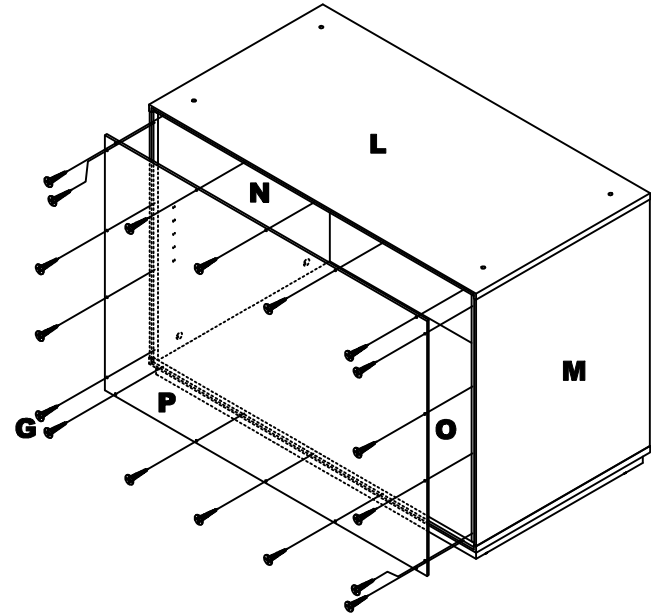
3

- 2** Insert Wood Dowels (A) into Side Panels (M & N). Insert Cam (B) into Side Panel (M & N). Install Cam Posts (C) Top(L) & Bottom Panel (O). Attach Top (L) & Bottom panel (O) to assembled cabinet by turning Cams (B). Apply Cam Stickers (D) to Cams (B) of Side Panel (M & N).



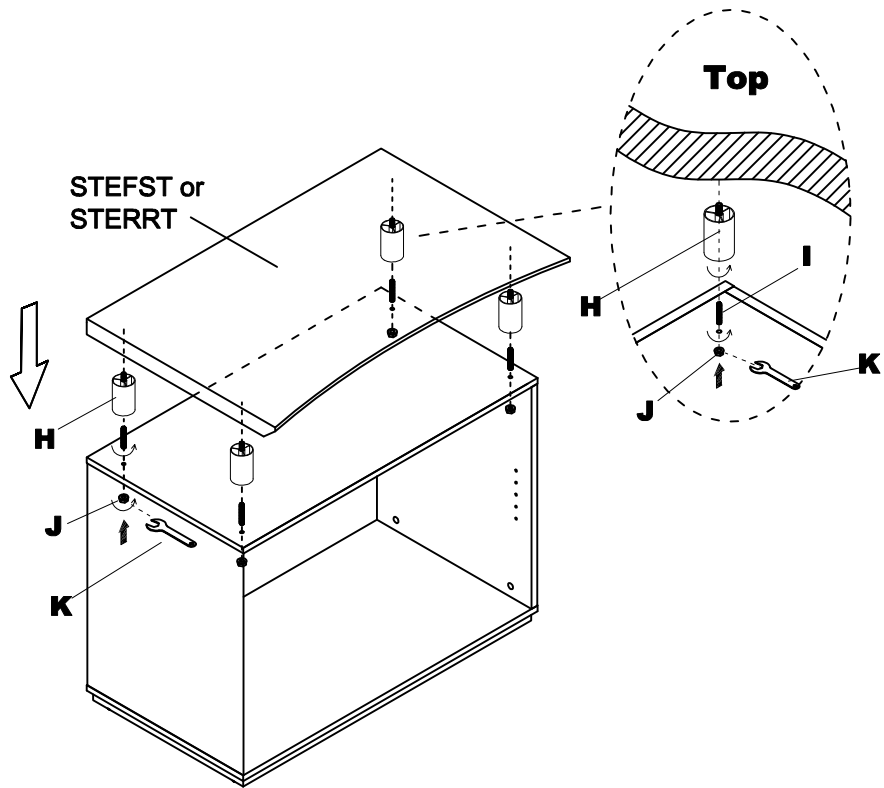
4

- 3** Attach the Back Panel (P) to the Top (L), Side Panels (M & N) and the Bottom Panel (O) by using Screws (G).



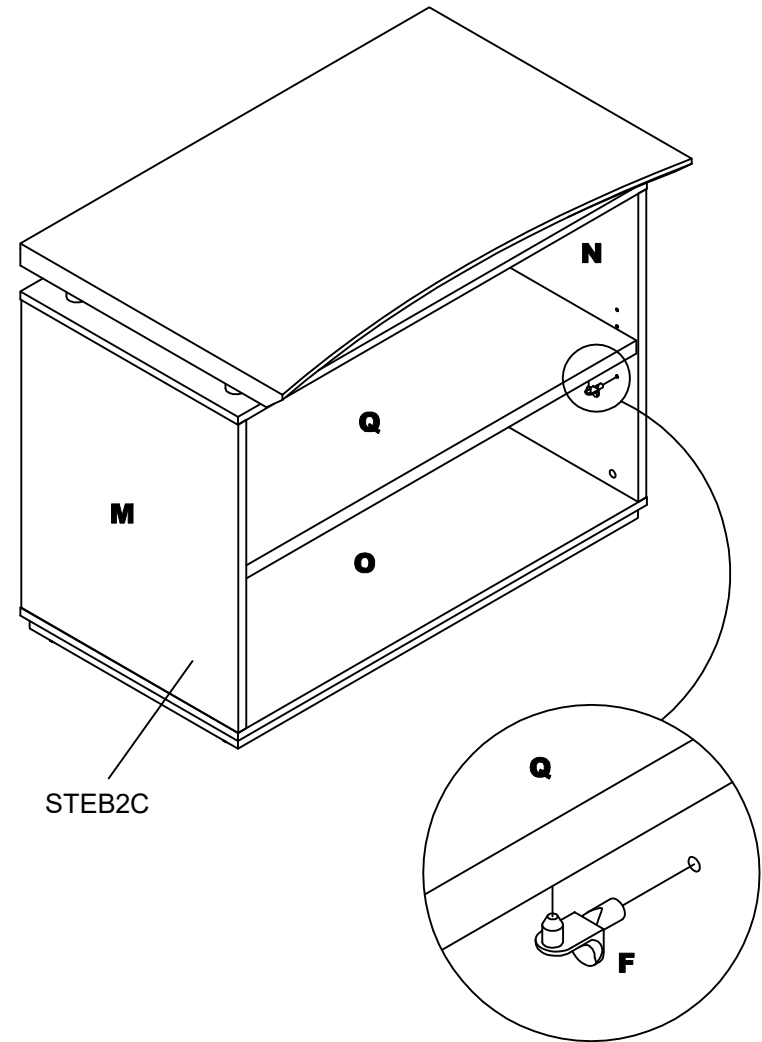
5

- 4** Attach the Stand-offs (H) to the Bottom of TOP. Thread Post (I) into bottom of Stand-offs (H). Once Top is in place, tighten Nut (J) on Post (I) using Wrench (K).



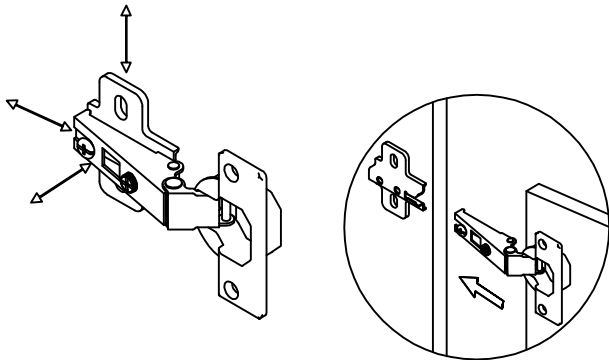
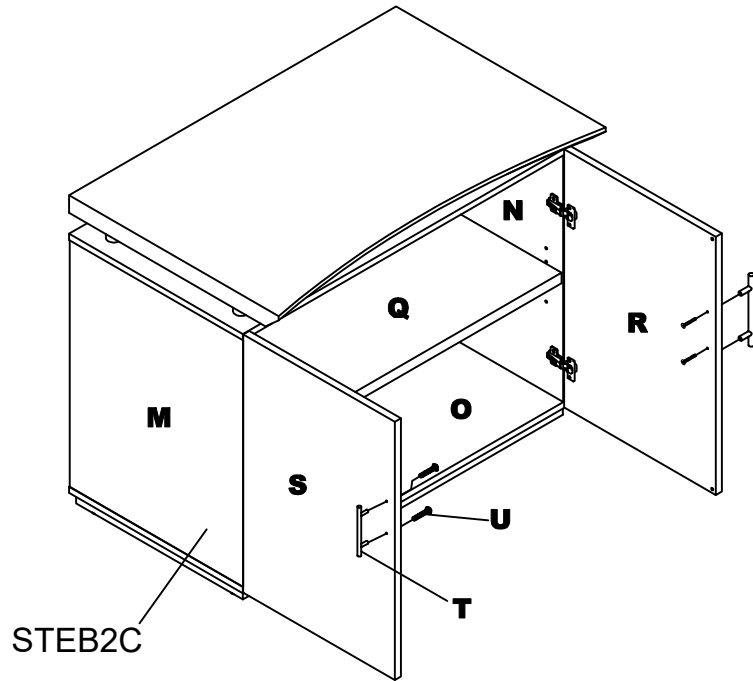
6

- 5** Insert Shelf Supports (F) into the Side Panels (M & N) at the desired height. Put the Shelf Panel (Q) on the Shelf Supports (F).



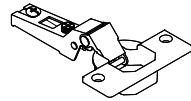

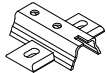

7

- 6** Attach Handles (T) to Wood Doors (R & S) using Screws (U). Install Wood Doors (R & S) onto Cabinet. Adjust doors for alignment as necessary by using the adjustment screws on the hinges.



8

Pre-Assembled Replacement Part List

Part	Included Qty.	Part	Included Qty.
 REALS018 Hinge-Overlay	4	 REALS018 Ø4X14mm White	16
 REALS018P Hinge Plate-Overlay	4	 REALS247 Bumper	4

9