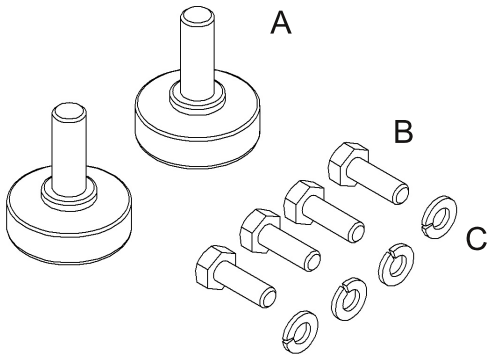




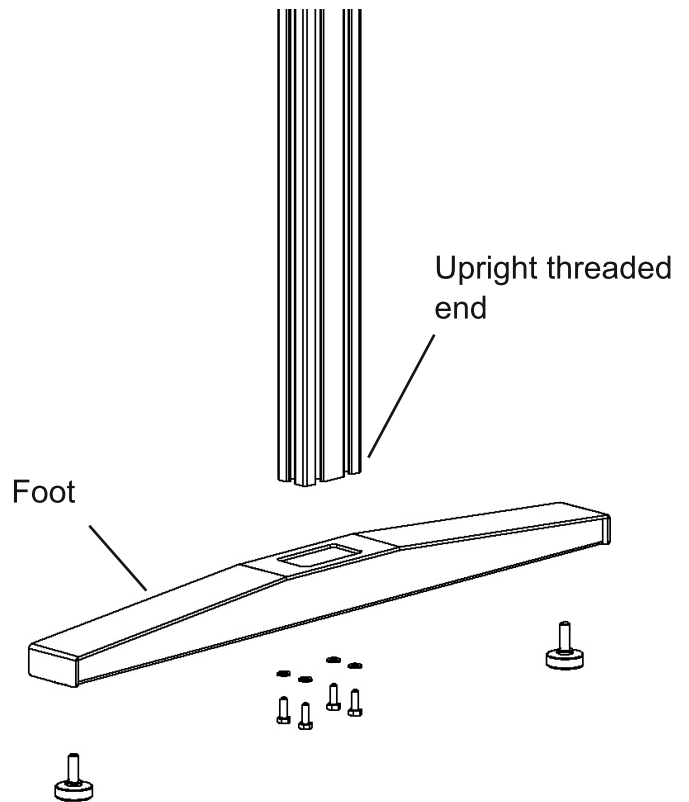
## FOOT/UPRIGHT ASSEMBLY MODULAR WALL

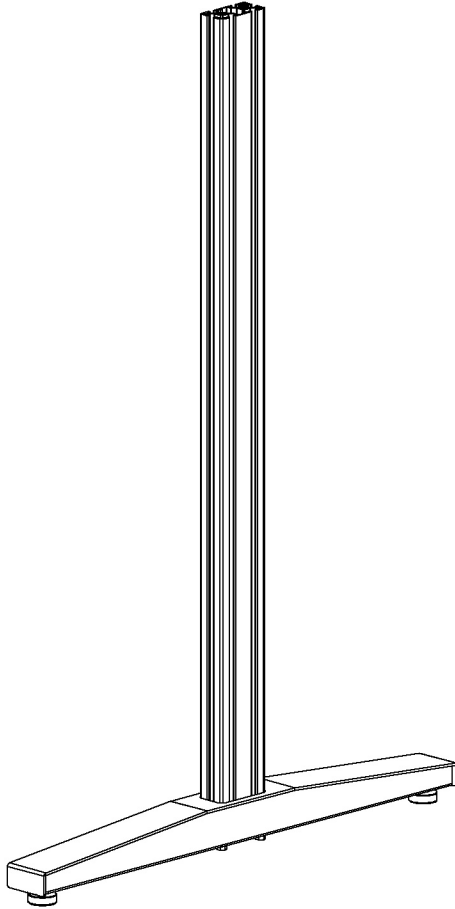


Hardware Bag - A8918

Item	Qty	Description
A	2	Glide
B	4	1/4 x .75 Hex Head Cap Screw
C	4	1/4 Lockwasher

1. Locate the end of the upright with the threaded holes.
2. Insert the upright into the foot.
3. Fasten the upright using the lockwasher (item C) and the hex cap screw (item B).
4. Screw in the glides (item A).





Tighten all fasteners and repeat for all remaining upright foot assemblies.



**MAYLINE®**

619 N. Commerce P.O. Box 728, Sheboygan, WI 53082-0728

www.mayline.com 800-822-8037 Fax 920-457-7338