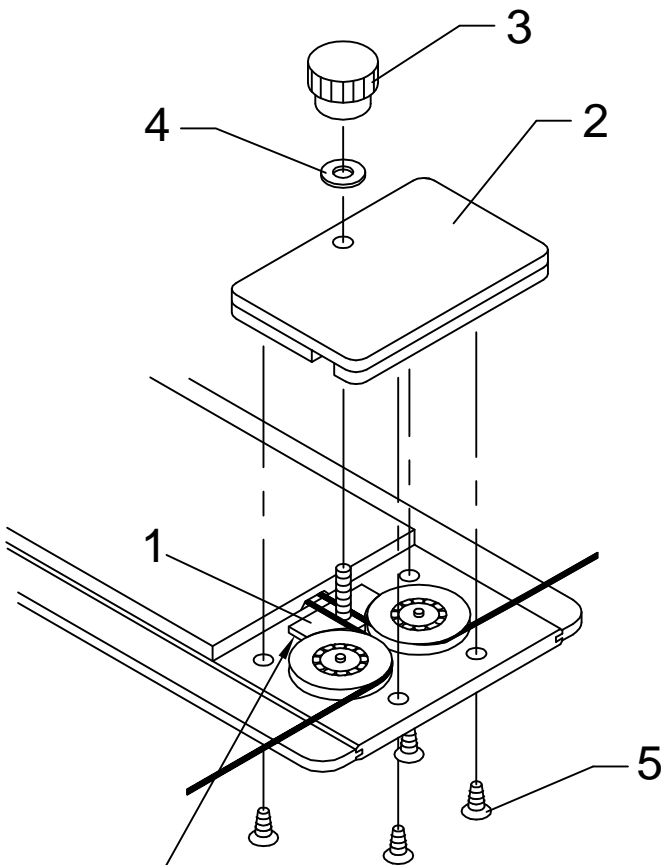


# INSTALLATIONS INSTRUCTIONS for #7305 STRAIGHTEDGE BRAKE

NOTE: Please count and inspect all pieces before disposing of any carton or packing materials.

**COMPONENTS:** Contact a Mayline Customer Service Representative. 1-800-822-8037

REF. #	QTY.	DESCRIPTION	PART No.
1	2	BRAKE SHOE ASSEMBLY	A2123
2	2	PULLEY HOUSING	F314
3	2	KNOB	K22
4	2	WASHER	W42
5	8	#6 x 1/4 SCREW	X44S



NOTE: BRAKE SHOE  
LOCATED UNDER  
CABLE

1. Remove present pulley housing plate from straightedge.
2. Place Brake Shoe (1) under cable as shown.
3. Place new Pulley Housing Plate (2) in place, being sure cable is not pinched between plate and straightedge base. Fasten plate using four #6 x 1/4 Screws (5) from underside of straightedge. Tighten slightly, excess turning will strip threads.
4. Attach Brake Knob Washer (4) and Brake Knob (3).
5. Repeat procedure on other end.