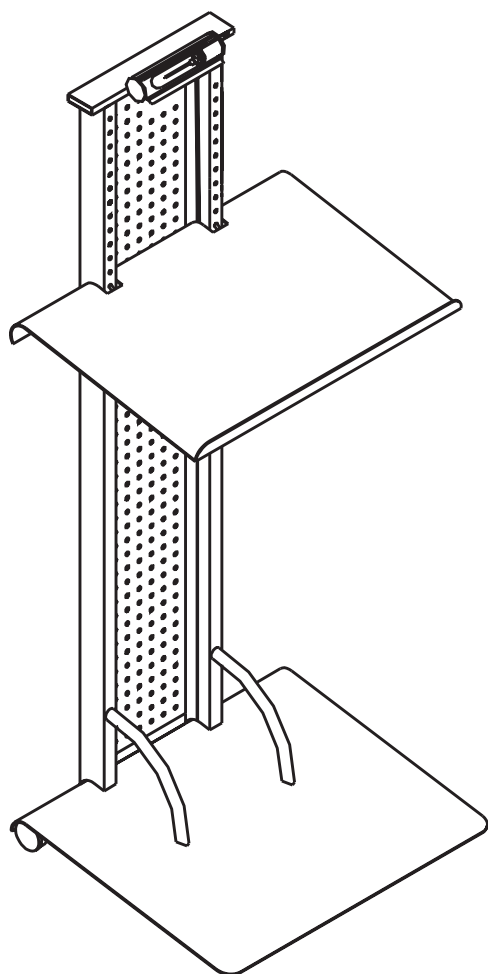




Tiffany Industries™  
A MAYLINE GROUP COMPANY

Model No. 1050LTBLK


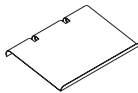
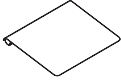







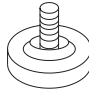

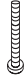





LECTERN BLACK

ASSEMBLY INSTRUCTIONS

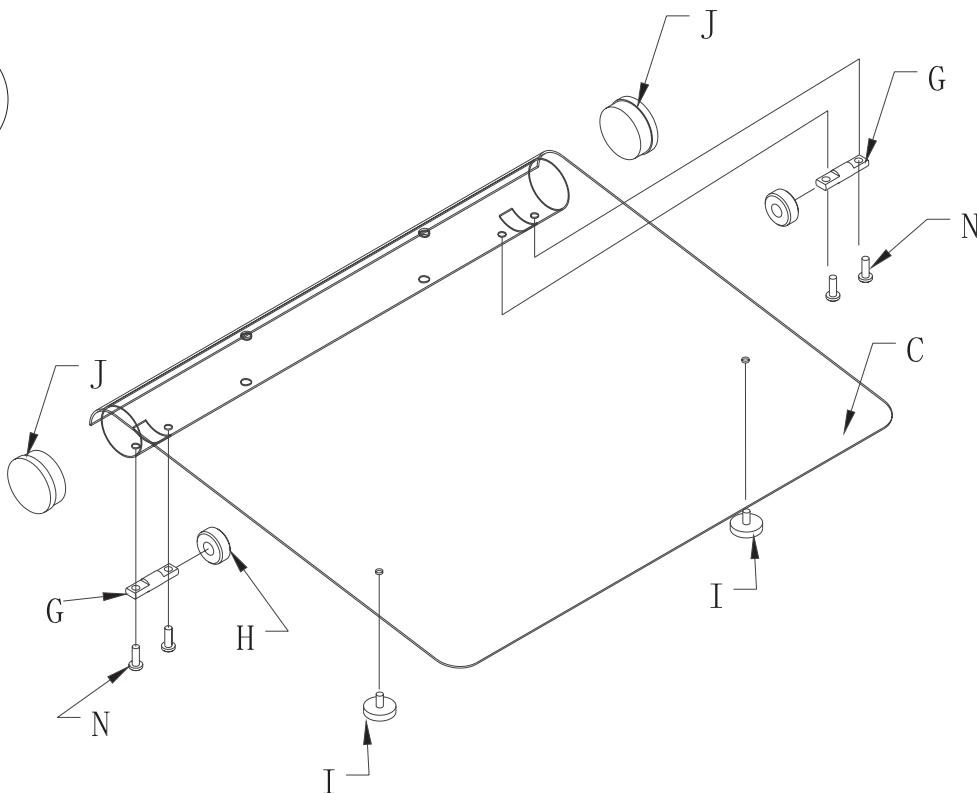
CALL 1-800-822-8037 FOR ASSISTANCE

# PARTS LIST

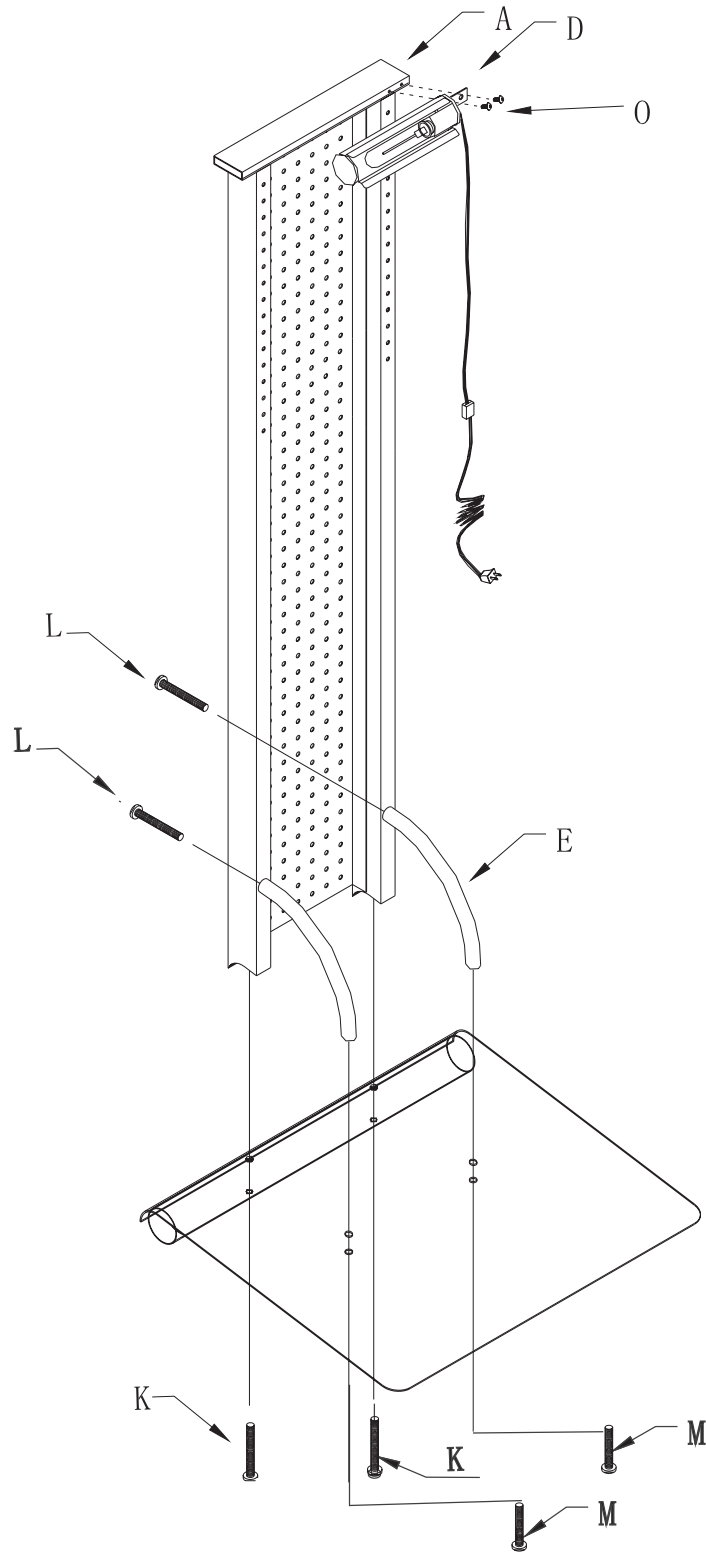
Name	Part	Qty.
A		1
B		1
C		1
D		1
E		2
F		1
G		2

Name	Part	Qty.
H		2
I		2
J		2
K		2
L		2
M		2
N		4
O		2
P		1

1



2



Note:

**Connect all base components  
loosely before tightening**

3

