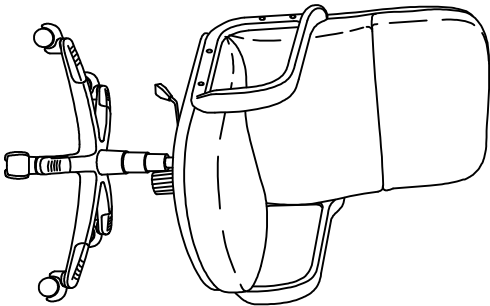


ASSEMBLY INSTRUCTIONS
COMFORT SERIES - BIG & TALL
EXECUTIVE CHAIR (FABRIC)
MODEL NO. 1801AG

PARTS LIST 1801AG

When ordering components, specific color and/or size information may be required.
 Contact a Mayline Customer Service Representative. 1-800-822-8037

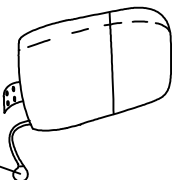

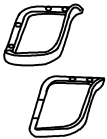



* Individual Items, Order by part number.
 ** Denotes Color Code





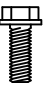




IMPORTANT!
Review ALL instructions before beginning assembly. These instructions are provided to avoid problems that may occur from improper assembly or installation. Mayline and/or its distributor are not responsible for failure resulting from improper assembly or installation of this product. Moreover, all warranties are void for failure to follow these assembly instructions.



Mayline Company, LLC
 619 N. Commerce, P.O. Box 728
 Shakopee, MN 55082-0728
 Toll Free: 1-800-822-8037
 FAX: 920-457-7388
 On Line: www.mayline.com

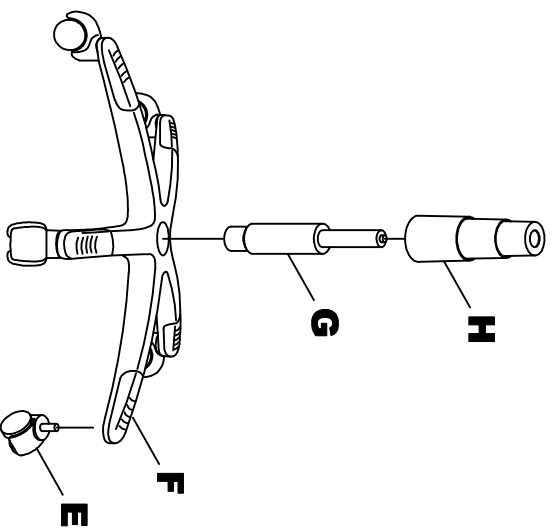
A * Reference Letter	 CM366 * Lumbar Bulb	1	Quantity
B * Reference Letter	 CM367 * Lumber Hoister	1	Quantity
C * Reference Letter	 Part Number CM322** Arms (pair)	1	Quantity
D * Reference Letter	 Part Number CM330 Mechanism	1	Quantity
E * Reference Letter	 Part Number CM336 Caster (5 pack)	5	Quantity
F * Reference Letter	 Part Number CM340 Base	1	Quantity

G * Reference Letter	 Part Number CM481 Cylinder	1	Quantity
H * Reference Letter	 Part Number CM350 Cylinder Cover	1	Quantity

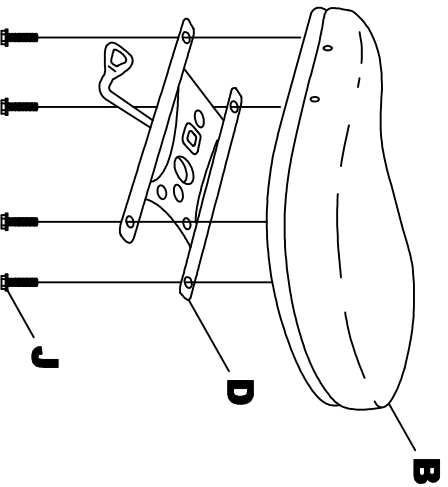
Part Number CM356 * Hardware Pack			
J Reference Letter	 Screw M8 X 25mm	4	Quantity
K Reference Letter	 Screw M8 X 22mm	8	Quantity
L Reference Letter	 Screw M8 X 35mm	4	Quantity
M Reference Letter	 Arm Caps	8	Quantity
N Reference Letter	 Allen Wrench	1	Quantity

(1)

(2)

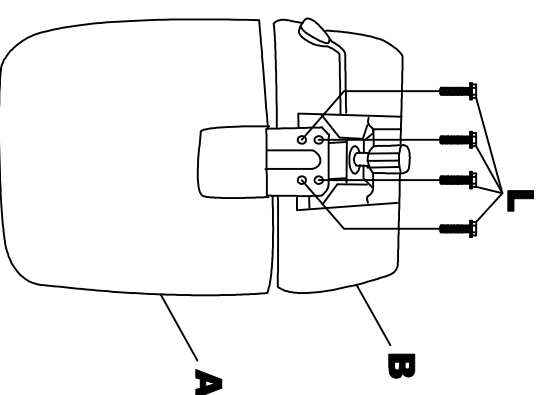


1. Place Base (F) upside down and push Casters (E) firmly into base. 5 places.
2. Turn Base right side up and insert Cylinder (G) into center hole of Base.
3. Place Cylinder Cover (H) over Cylinder.

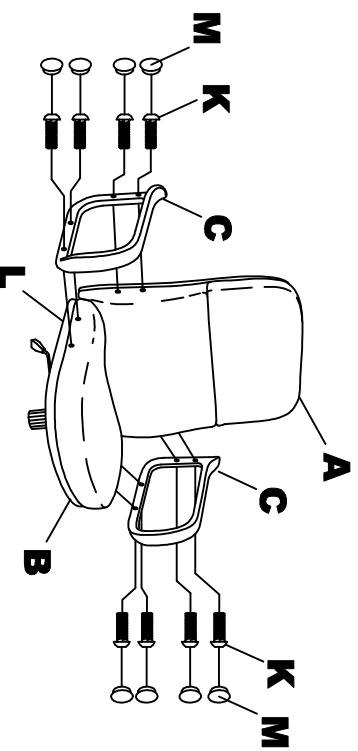


4. Assemble Mechanism (D) onto Seat (B) using Screws (J) 4 places.

(3)

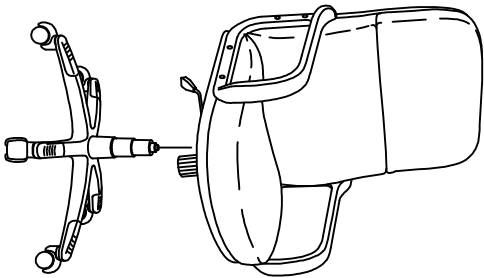


5. Assemble Back (A) onto Seat (B) using Screws (L) 4 places. DO NOT TIGHTEN SCREWS at this time. This will allow a tolerance when assembling arms.



6. Assemble Arms (C) 2 places onto Back (A) & Seat (B) using Screws (K) 8 places. DO NOT TIGHTEN SCREWS at this time.
7. After both arms are installed tighten all Screws (K & L) 12 places.
8. Insert Arm Plugs (M) into Arms (C) 8 places.

(4)



8. Carefully place chair assembly onto base assembly.

NOTE:

Periodically (Every 90 days) make sure screws are fully tightened.

OPERATING INSTRUCTIONS FOR CENTER PIVOT MECHANISM

1. Seat Height Adjustment.

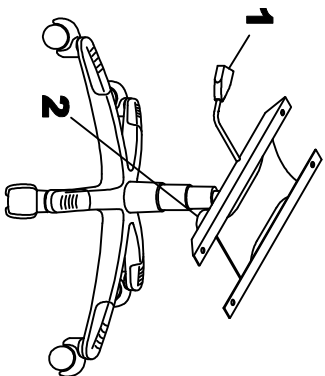
To raise the seat, pull lever upward and raise your body up slightly to allow the chair to rise to the desired height.

To lower the seat, pull lever upward and apply weight downward on the seat.

Seat Upright Lock.

To lock chair in upright position, lean forward and push knob toward chair.

To unlock chair in upright position, lean forward and pull away from chair.



2. Tilt Tension Control Knob.

Turn knob clockwise to increase tilt tension.

Turn knob counter-clockwise to decrease tilt tension.