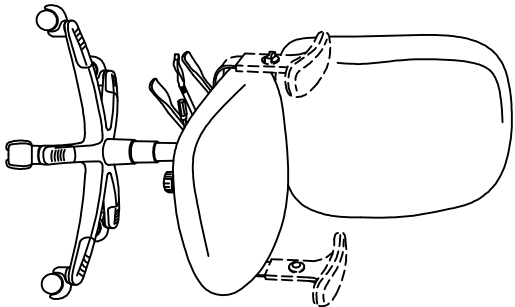


**ASSEMBLY INSTRUCTIONS**  
**COMFORT SERIES**  
**24-HOUR HIGH PERFORMANCE CHAIR (FABRIC)**  
**MODEL NO. 2424AG**



Shown with Optional Arms

**IMPORTANT!**  
**Review ALL instructions before beginning assembly.** These instructions are provided to avoid problems that may occur from improper assembly or installation. Mayline and/or its distributor are not responsible for failure resulting from improper assembly or installation of this product. Moreover, all warranties are void for failure to follow these assembly instructions.

Part No. 2424AG, Revision 07 07/23/2012



(1)

**PARTS LIST 2424AG**

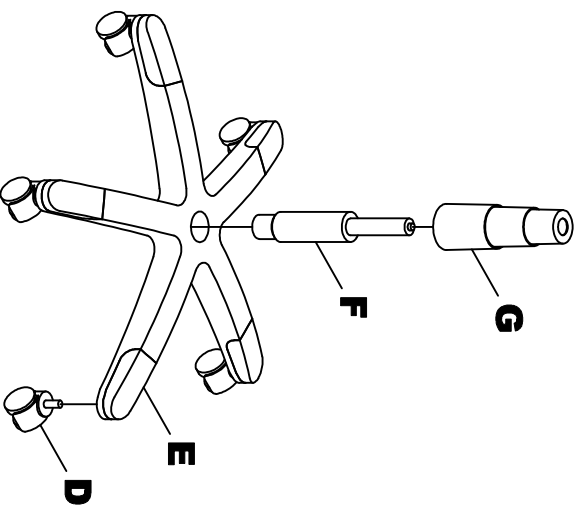
When ordering components, specific color and/or size information may be required.  
 Contact a Mayline Customer Service Representative. 1-800-822-8037

\* Individual Items. Order by part number.  
 \*\* Denotes Color Code

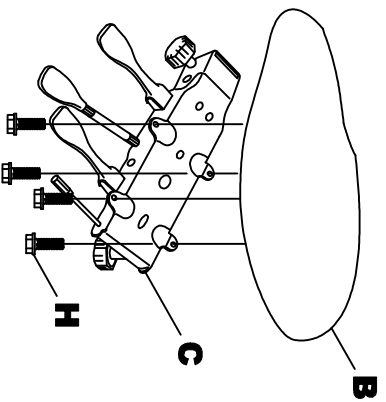
<p><b>A</b> *                  Reference Letter                  Part Number  <b>CM304** Back</b>                  Reference Letter</p>		<p><b>1</b></p>
<p><b>B</b> *                  Reference Letter                  Part Number  <b>CM314** Seat</b>                  Reference Letter</p>		<p><b>1</b></p>
<p><b>C</b> *                  Reference Letter                  Part Number  <b>CM161 Mechanism</b>                  Reference Letter</p>		<p><b>1</b></p>
<p><b>D</b> *                  Reference Letter                  Part Number  <b>CM336 Caster (5 pack)</b>                  Reference Letter</p>		<p><b>5</b></p>
<p><b>E</b> *                  Reference Letter                  Part Number  <b>CM340 Base</b>                  Reference Letter</p>		<p><b>1</b></p>
<p><b>F</b> *                  Reference Letter                  Part Number  <b>CM481 Cylinder</b>                  Reference Letter</p>		<p><b>1</b></p>
<p><b>G</b> *                  Reference Letter                  Part Number  <b>CM350 Cylinder Cover</b>                  Reference Letter</p>		<p><b>1</b></p>

Part Number <b>CM357 * Hardware Pack</b>			
<p><b>H</b>                  Reference Letter                  Screw M8 x 22mm                  Reference Letter</p>		<p><b>4</b></p>	<p><b>1</b></p>
<p><b>J</b>                  Reference Letter                  Allen Wrench</p>		<p><b>1</b></p>	

(2)

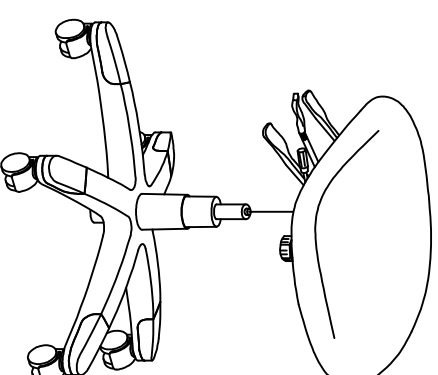


1. Place Base (E) upside down and push Casters (D) firmly into base. 5 places.
2. Turn Base right side up and insert Cylinder (F) into center hole of Base.
3. Place Cylinder Cover (G) over Cylinder.

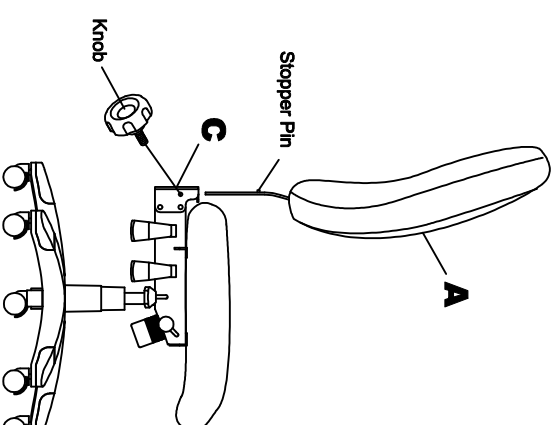


4. Assemble Mechanism (C) onto Seat (B) using Screws (H) 4 places.

(3)



5. Carefully place seat assembly onto base assembly.

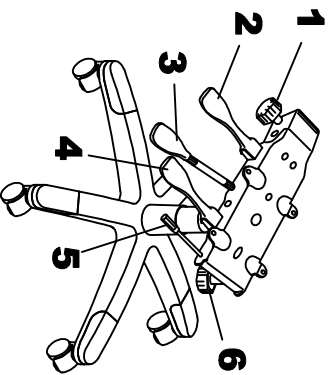


6. Insert Back (A) into Mechanism (C) until Stopper Pin hits mechanism. May have to loosen Knob.
7. Adjust Back to desired height and tighten Knob.

(4)

## OPERATING INSTRUCTIONS FOR MULTI-FUNCTION MECHANISM

- 1. Back Height Control Knob.**  
To raise the back, loosen knob and lift back upward, tighten knob.
- 2. Back Posture Adjustment**  
To adjust angle of the back, pull paddle up.  
Adjust back, push knob down to lock.
- 3. Seat Height Adjustment.**  
To raise the seat, pull lever upward and raise your body up slightly to allow the chair to rise to the desired height.  
To lower the seat, pull lever upward and apply weight downward on the seat.
- 4. Seat Posture Adjustment**  
To adjust angle of the seat, pull paddle up.  
Adjust seat, push knob down to lock.



**Note:** To operate items 5 & 6, Item 3 must be unlocked (up position).

- 5. Seat Angle.**  
To lock chair in upright position, lean backward and push knob toward chair.  
To unlock chair in upright position, lean backward and pull away from chair.
- 6. Tilt Tension Control Knob.**  
Turn knob clockwise to increase tilt tension.  
Turn knob counter-clockwise to decrease tilt tension.

