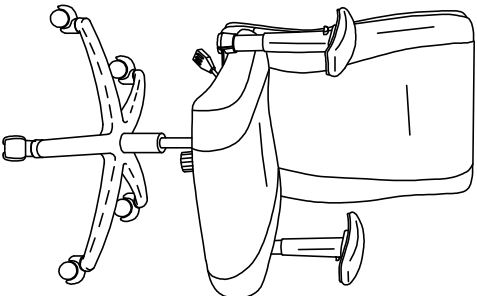


## ASSEMBLY INSTRUCTIONS

**MERCADO SERIES  
MID-BACK CHAIR  
MODEL NO. 2522**



## PARTS LIST 2522

When ordering components, specific color and/or size information may be required.  
Contact a Mayline Customer Service Representative. 1-800-822-8037

\* Individual Items, Order by part number.  
\*\* Denotes Color Code

Reference Letter	Quantity
<b>A*</b> Part Number CM107** Back Reference Letter	<b>1</b>
<b>B*</b> Part Number CM126** Seat Reference Letter	<b>1</b>
<b>C*</b> Part Number CM145 Arms (pair) Reference Letter	<b>1</b>
<b>D*</b> Part Number CM162 Mechanism Reference Letter	<b>1</b>
<b>E*</b> Part Number CM210 Caster (5 pack) Reference Letter	<b>5</b>
<b>F*</b> Part Number CM200 Base Reference Letter	<b>1</b>

Reference Letter	Quantity
<b>G*</b> Part Number CM477 Cylinder Reference Letter	<b>1</b>

Reference Letter	Quantity	Spare
<b>H</b> Screw 1/4"-20 x 7/8" Reference Letter	<b>2</b>	<b>1</b>
<b>J</b> Screw 1/4"-20 x 1-1/16" Reference Letter	<b>6</b>	<b>1</b>
<b>K</b> Screw 1/4"-20 x 1-1/4" Reference Letter	<b>6</b>	<b>1</b>
<b>L</b> Allen Wrench Reference Letter	<b>1</b>	

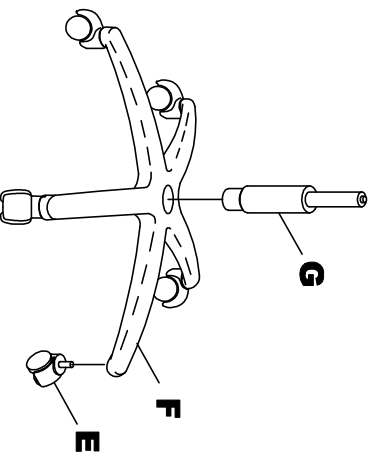
### IMPORTANT!

**Review ALL instructions before beginning assembly.** These instructions are provided to avoid problems that may occur from improper assembly or installation. Mayline and/or its distributor are not responsible for failure resulting from improper assembly or installation of this product. Moreover, all warranties are void for failure to follow these assembly instructions.

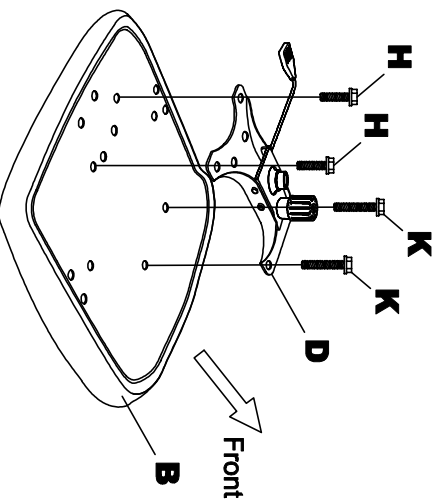


**MAYLINE**

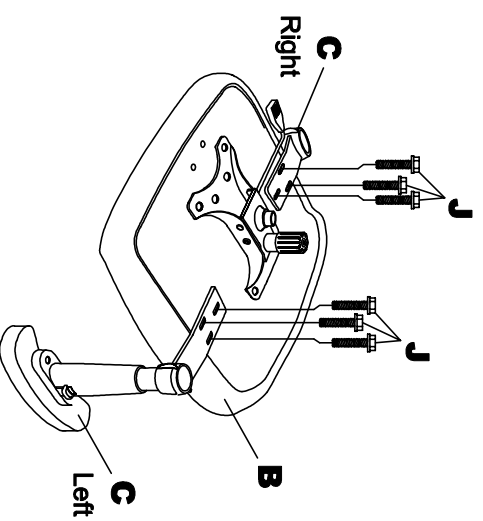
Mayline Company, LLC  
619 N. Commerce, P.O. Box 728  
Sheboygan, WI 53082-0728  
Toll Free: 1-800-822-8037  
FAX: 920-457-7388  
On Line: [www.mayline.com](http://www.mayline.com)



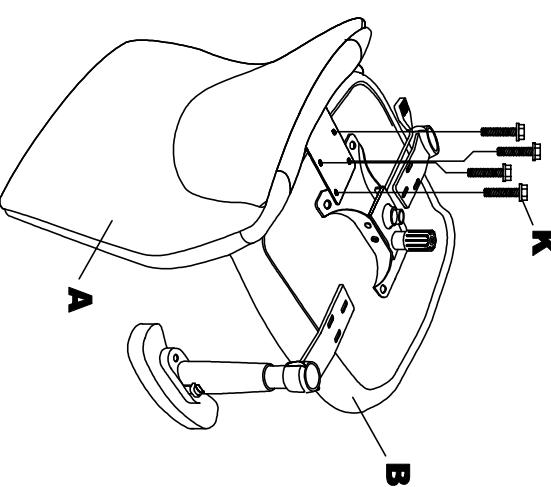
1. Place Base (F) upside down and push Casters (E) firmly into base. 5 places.
2. Turn Base right side up and insert Cylinder (G) into center hole of Base.



3. Assemble Mechanism (D) to Seat (B) using Screws (K) 2 places located in front of Seat and using Screws (H) 2 places as shown. <sup>(3)</sup>

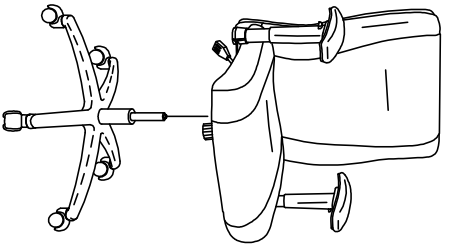


4. Assemble Arms (C) 2 places onto Seat (B) using Screws (J) 3 places each arm



5. Assemble Back (A) onto Seat (B) using Screws (K) 4 places.

<sup>(4)</sup>



6. Carefully place chair assembly onto base assembly.

**NOTE:**

Periodically (Every 90 days) make sure screws are fully tightened.

**OPERATING INSTRUCTIONS FOR  
CENTER PIVOT (BUTTERFLY) MECHANISM**

**1. Seat Height Adjustment.**

To raise the seat, pull lever upward and raise your body up slightly to allow the chair to rise to the desired height.

To lower the seat, pull lever upward and apply weight downward on the seat.

**Seat Upright Lock**

To lock chair in upright position, lean forward and push knob toward chair.

To unlock chair in upright position, lean forward and pull knob away from chair.

**2. Tilt Tension Control Knob.**

Turn knob clockwise to increase tilt tension.

Turn knob counter-clockwise to decrease tilt tension.

