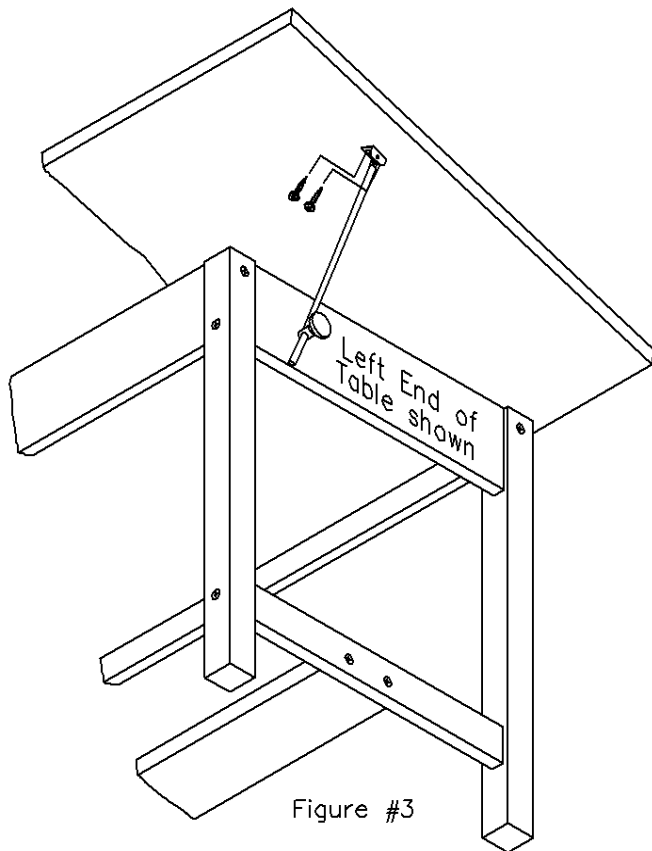
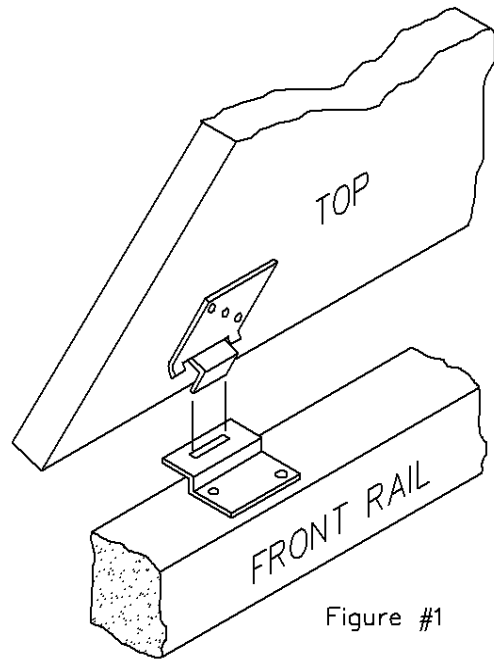
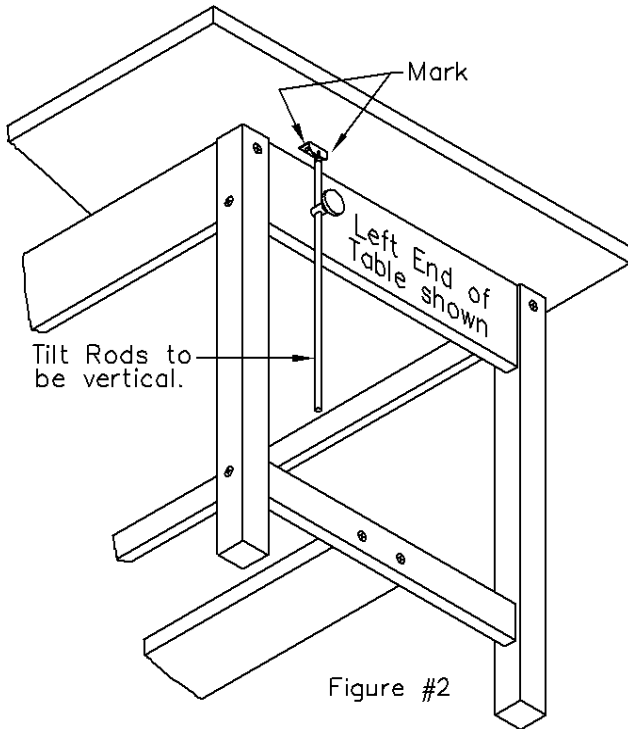


ASSEMBLY INSTRUCTIONS for MOUNTING TOPS TO 4-POST TABLES



1. Insert Hinges as shown in Figure #1.
2. With the Top in a horizontal position, mark around the Tilt Brackets as shown in Figure #2.
3. Raise the top, position the bracket where marked and insert Screws as shown in Figure #3.

NOTE:
ON HIGH-PRESSURE LAMINATE TOPS,
RECOMMENDED PRE-DRILLING BEFORE
INSERTING SCREWS IS 1/8 DIA X 3/4 DEEP.

MAYLINE® Mayline Company, LLC
619 N. Commerce, P.O. Box 728
Sheboygan, WI 53082-0728
Phone: 920-457-5537
Toll Free: 1-800-822-8037
FAX: 920-457-7388