

# ASSEMBLY INSTRUCTIONS

## Sliding Shelf




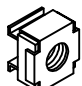
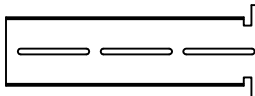
CATALOG No.  
 4221530 4221536  
 4221930 4221936

NOTE: Please count and inspect all pieces before disposing of any carton or packing materials.

COMPONENTS: When ordering components, specific color and/or size information may be required. Contact a Mayline Customer Service Representative. 1-800-822-8037

REF. #	QTY.	DESCRIPTION	PART No.	** Denotes Color Code ~~Denotes Size
1	1	SLIDING SHELF	CALL~~**	
2	2	PROGRESSIVE SLIDE	B5173	

HARDWARE BAG (PART No. A6480) \*for individual item, order that part number

REF.#	QTY.	DESCRIPTION	PART No.	
E1	12	#8-32 X 3/8 SCREW	X221*	
E2	8	#10-32 X 1/2 SCREW	X375*	
E3	12	#8-32 KEPS NUTS	T107*	
E4	8	#10-32 CAGE NUT	T118*	
E5	4	BRACKET	B5172*	

NOTE:

*For best internal cabinet access to glides – level cabinet prior to positioning Rack Mount Rails and installing shelves or equipment.*

1. Select the desired height where the shelf will be mounting in the cabinet.
2. Install Cage Nuts (E4) into selected holes (two per support).

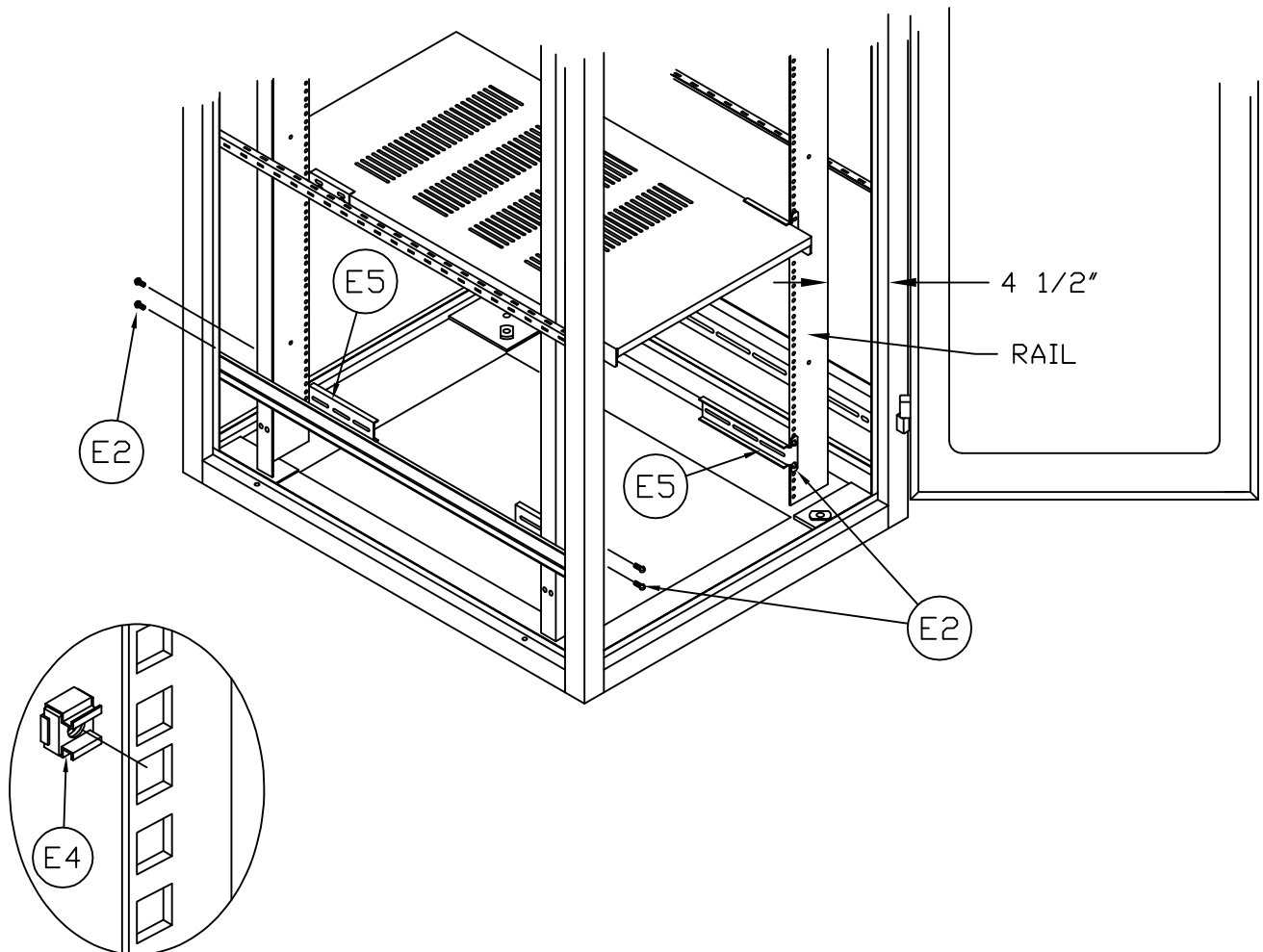
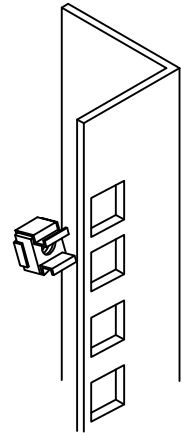
TO INSTALL CAGE NUTS (E4):

- A.) Place bottom of Cage Nut through square hole from back side of rail (see detail at right), allowing the lower portion of Cage Nut to grip the rail.
- B.) Compress the upper portion of the Cage Nut with your thumb and snap Cage Nut into place.

TO REMOVE CAGE NUTS (E4):

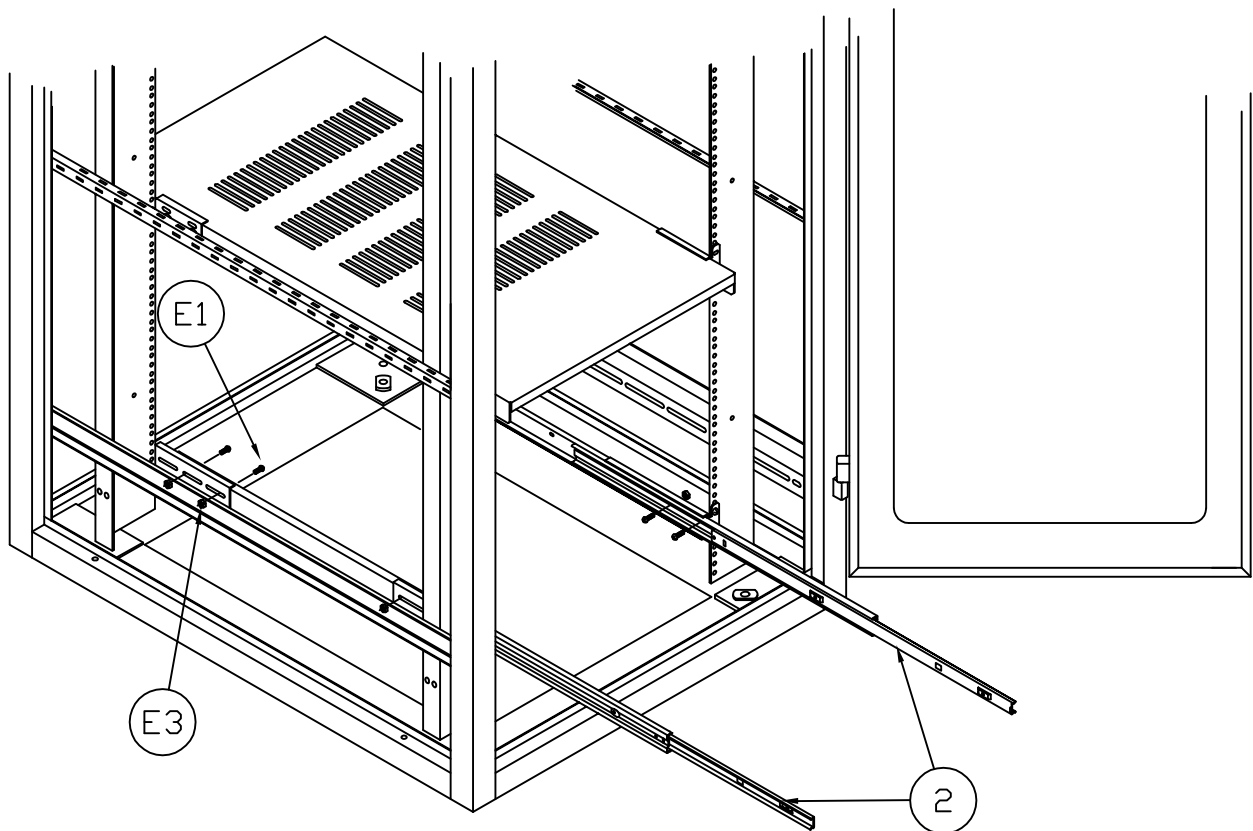
Compress Cage Nut with pliers.

3. Attach Shelf Supports (E5) with fasteners (E2) to rack mount rails in cabinet.



4. Place the Progressive Slides onto the Shelf Supports and center the slides in the Cabinet body. Fasten Slides in place with Screws (E1) and KEPS Nuts (E3).

NOTE: Extend and retract Slides as required to gain access to Slide Mounting Holes.



5. Fully extend the Slides and insert the tabs on Shelf body into the tab mounting slots on the progressive slide. Attach the Shelf Body with Screws (E1) and KEPS Nuts (E3).

