

# ASSEMBLY INSTRUCTIONS for MODESTY PANEL to DUAL XR BASE

CATALOG No.  
537MP  
543MP

**NOTE:** Please count and inspect all pieces before disposing of any carton or packing materials.

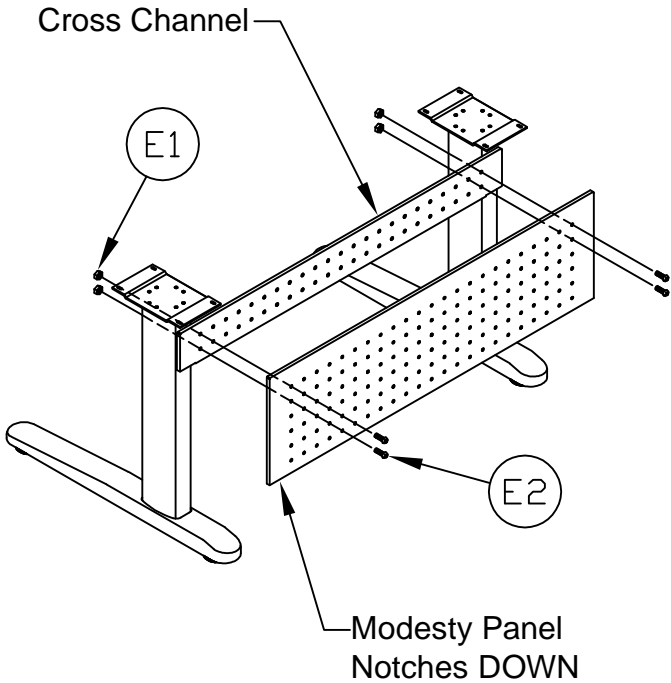
## COMPONENTS:

When ordering components, specific color and/or size information may be required.  
Contact a Mayline Customer Service Representative. 1-800-822-8037

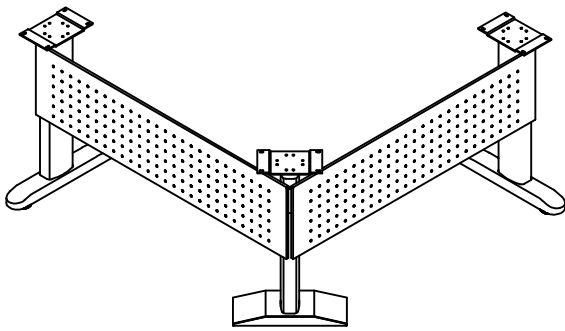
REF. #	QTY.	DESCRIPTION	PART No.	
1	1	MODESTY PANEL	CALL~~**	** Denotes Color Code ~~Denotes Size

## HARDWARE BAG (PART No. A7319) *\*for individual item, order that part number*

REF. #	QTY	DESCRIPTION	PART No.	
E1	4	1/4-20 KEPS NUT	T126**	
E2	4	1/4-20 X 1/2 SCREW	X352*	



1. Position the notches in the Modesty Panel flanges toward the floor.
2. Place the Modesty Panel over the Base Cross Channel, resting the modesty panel on the top flange of the cross channel.
3. Insert 1/4-20 x 1/2 Screws (E2) through two of the aligned Modesty Panel and Cross Channel holes per side. Use the outer most accessible holes.
4. Secure in place with two KEPS Nuts (E1) per side.



# ASSEMBLY INSTRUCTIONS for MODESTY PANELS to TRIPLE XR BASE

CATALOG No.  
549MP  
561MP  
562MP

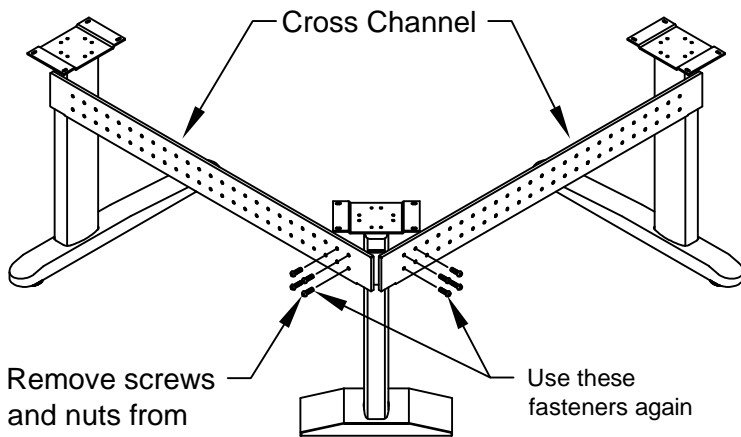
**NOTE:** Please count and inspect all pieces before disposing of any carton or packing materials.

**COMPONENTS:** When ordering components, specific color and/or size information may be required. Contact a Mayline Customer Service Representative. 1-800-822-8037

REF. #	QTY.	DESCRIPTION	PART No.	** Denotes Color Code
1	2	MODESTY PANEL	CALL~~**	~~Denotes Size

**HARDWARE BAG (PART No. A7319)** \*for individual item, order that part number

REF. #	QTY	DESCRIPTION	PART No.	
E1	4	1/4-20 KEPS NUT	T126**	
E2	4	1/4-20 X 1/2 SCREW	X352*	

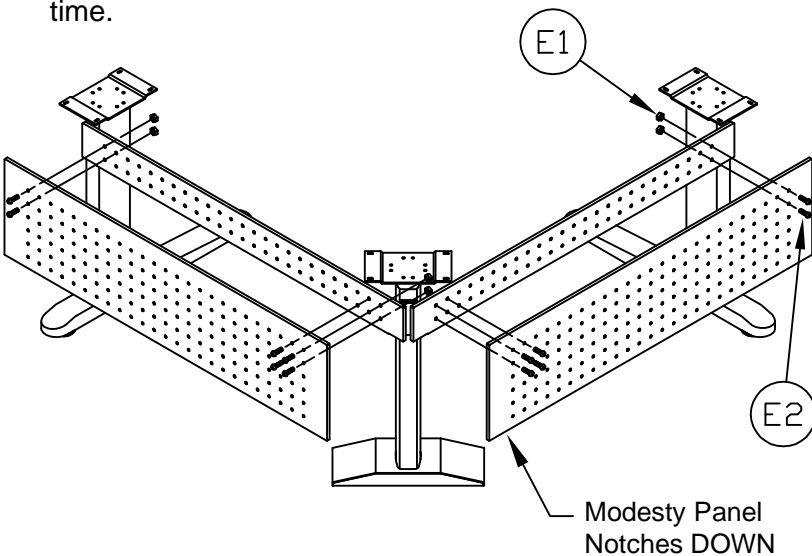


Remove screws and nuts from ONE Cross Channel at a time.

Use these fasteners again

To install Modesty panels on the three column base, some existing hardware will be used. Install the Modesty Panel to ONE side of the base at a time.

1. Remove four screws from ONE Cross Channel at the center/rear column, these screws and nuts will be reused.
2. Position the notches in the Modesty Panel flanges toward the floor.
3. Place the Modesty Panel over the Base Cross Channel, resting the modesty panel on the top flange of the cross channel.
4. Insert two 1/4-20 x 1/2 Screws through two of the aligned Modesty Panel, Cross Channel, and Bracket holes at the center/rear column. Secure in place with two KEPS Nuts.
5. Insert two 1/4-20 x 1/2 Screws (A) through two of the aligned Modesty Panel and Cross Channel holes near the outer column. Secure in place with two KEPS Nuts (B).
6. Insert two additional 1/4-20 x 1/2 Screws through the aligned holes at the center/rear column and secure them in place with two KEPS Nuts.
7. Repeat these steps for the other Modesty Panel.



Modesty Panel Notches DOWN