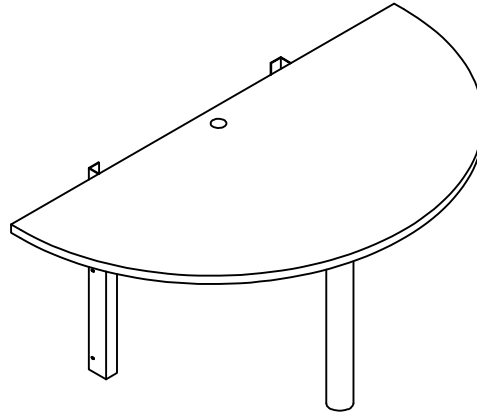


ASSEMBLY INSTRUCTIONS

CSII TEAM TABLE



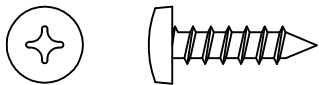
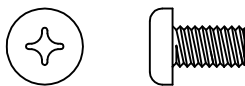


CATALOG No:
C515
C523

NOTE: Please count and inspect all pieces before disposing of any carton or packing materials.

COMPONENTS: When ordering components, specific color and/or size information may be required. Contact a Mayline Customer Service Representative. 1-800-822-8037

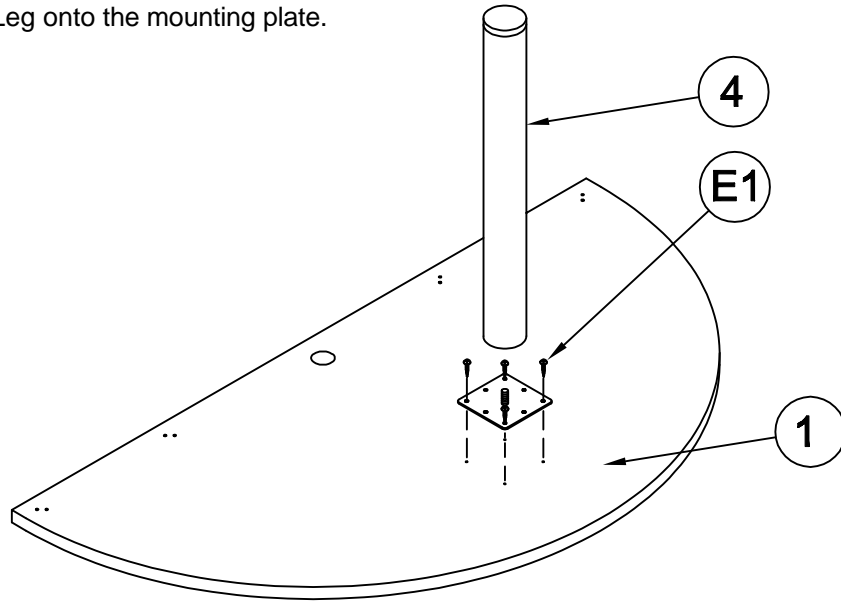
<u>REF. #</u>	<u>QTY.</u>	<u>DESCRIPTION</u>	<u>PART No.</u>	
1	1	WORK SURFACE	CALL~~**	
2	1	R.H. LEG	B7520**	** Denotes Color Code
3	1	L.H. LEG	B7521**	~~Denotes Size
4	1	PENINSULA LEG	B5185**	

HARDWARE BAG (PART No. A7622) *for individual part, order that part number

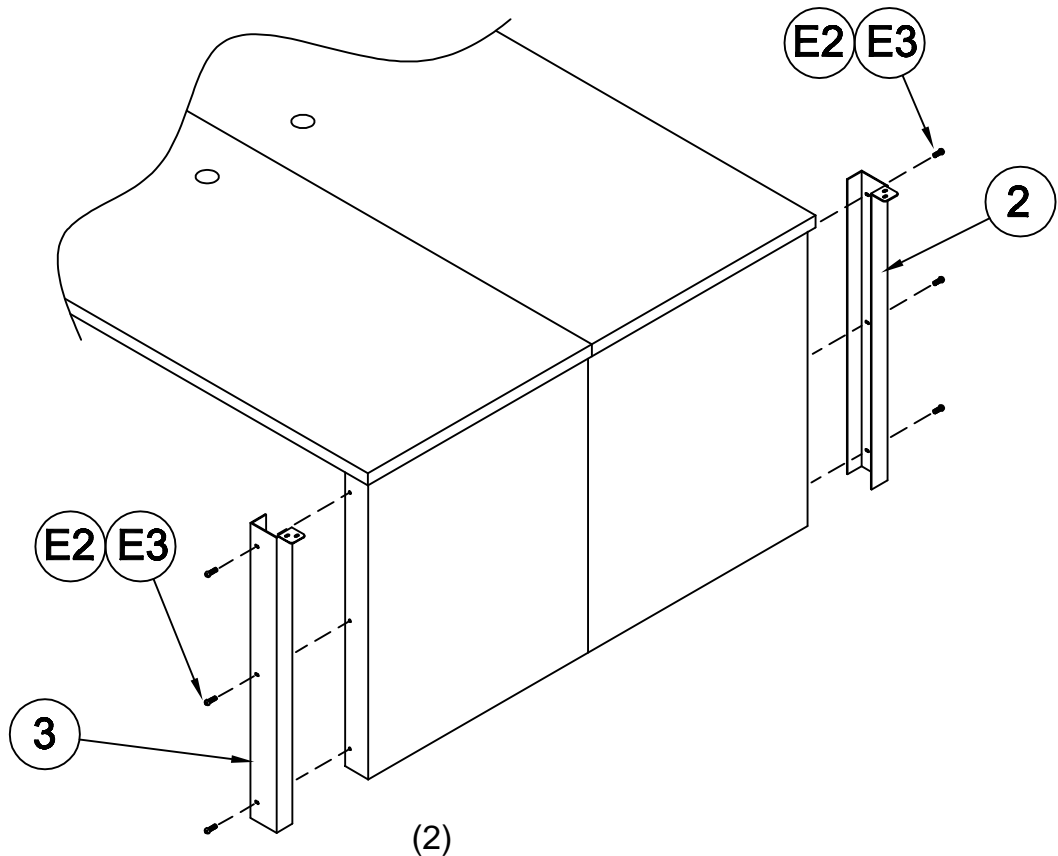
<u>REF. #</u>	<u>QTY</u>	<u>DESCRIPTION</u>	<u>PART No.</u>	
E1	10	#10 X 3/4 SCREW	X11*	
E2	6	#10-24- X 3/8 SCREW	X147*	
E3	6	#10-24 KEPS NUT	T2*	
E4	2	CABLE CLAMP	F191*	

NOTE: The Team Table product may not be used in conjunction with Drawer Pedestals mounted on the ends of the adjacent Table assemblies.

1. Place the Work Surface (1) face down onto a clean, protected surface.
2. Align the holes in the Post Leg mounting plate with the pre-drilled holes in the Work Surface. Secure the Leg using four Screws (E1).
3. Thread the Post Leg onto the mounting plate.



4. Place the two Adjacent Tables at the location where they are to be used. Position the two tables tightly together.
5. Align the holes in the right and left Team table legs with the holes in the adjacent table legs. Attach each Team Table Leg with three Screws (E2) and three KEPS Nuts (E3). **DO NOT** tighten screws at this time.



6. Place the assembled Team Table in an upright position. MAYLINE suggests that a minimum of two people perform this task.
7. Position the Team Table against the end of the two Adjacent Tables. Align the holes in the underside of the Work Surface with the slots in the right and left Team Table leg. Attach the Team Table with two Screws (E1) in each leg.
8. Tighten all screws at this time.
9. Two Cable Clamps (E4) are included to position cables away from work area. Attach the clamps to the Work Surface with one Screw (E1) per clamp.

