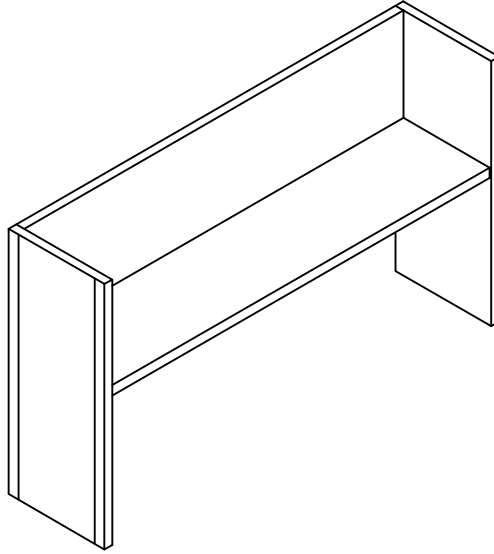


ASSEMBLY INSTRUCTIONS

CSII OPEN SHELF OVERHEAD

CATALOG No:

C773
C774
C775
C776
C777




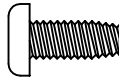
NOTE: Please count and inspect all pieces before disposing of any carton or packing materials.

COMPONENTS:

When ordering components, specific color and/or size information may be required. Contact a Mayline Customer Service Representative. 1-800-822-8037

<u>REF. #</u>	<u>QTY.</u>	<u>DESCRIPTION</u>	<u>PART No.</u>	
1	1	BACK	CALL~~**	** Denotes Color Code ~~Denotes Size
2	1	BOTTOM	CALL~~**	
3	1	R.H. SIDE	B7614**	
4	1	L.H. SIDE	B7615**	

HARDWARE BAG (PART No. A7657) *for individual part, order that part number

<u>REF. #</u>	<u>QTY</u>	<u>DESCRIPTION</u>	<u>PART No.</u>	
E1	10	#10-32 X 1/2 SCREW	X204*	
E2	2	TAPE STRIP	E515*	

1. Perform this assembly on a clean protected surface
2. Place the L.H. Side (4) in a vertical position along side the Back (1). Locate the Side with the edge holes 'UP'. Position the Back with side flanges "UP". Secure the Back to the Side with three Screws (E1). DO NOT tighten at this time.
3. Repeat this procedure with the R.H. Side (3). DO NOT tighten at this time.
4. Start two Screws (E1) into the holes in each Side. Leave approximately 1/8 inch gap between these screw heads and side panels.
5. Turn the assembled parts over, placing the Back onto the clean protected surface. MAYLINE recommends that a minimum of two people perform this task.
6. Insert the Bottom (3) vertically into the assembly with the Lock slots and holes 'DOWN'. Align the open slots in the Bottom with the screws in the Sides and engage the screws. The lower Back flange must capture the flange on the Bottom.
7. Tighten all screws in the Back and Bottom.
8. Remove the protective backing from one side of the Tape Strip (E2) and apply a strip to the bottom of each end panel.
9. Stand the assembled body in an upright position.
10. If your Overhead Unit is to be equipped with the 'OPTIONAL' Tack Panel, install it at this time. Please refer to the installation instructions included with that product.
11. Remove the protective film from the Tape located on the bottom of each end panel. Align the Overhead with the edge of the work surface it is to be placed on and set it in position. MAYLINE recommends that a minimum of two people perform this task.

