

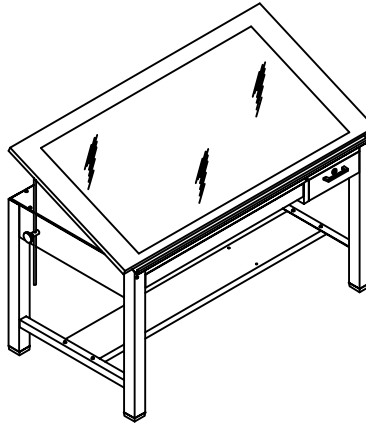
# ASSEMBLY INSTRUCTIONS

## RANGER STEEL FOUR-POST TABLES

### with LIGHT TOP

CATALOG No.

7734BLT  
7736BLT



**NOTE:** Please count and inspect all pieces before disposing of any carton or packing materials.

When ordering components, specific color and/or size information may be required. Contact a Mayline Customer Service Representative. 1-800-822-8037

**COMPONENTS:** TABLE

REF. #	QTY.	DESCRIPTION	PART No.
1	1	R.H. END ASSEMBLY	A7558**
2	1	L.H. END ASSEMBLY	A7757**
3	1	FRONT RAIL	CALL~~**
4	1	REAR RAIL	CALL~~**
5	1	FOOT RAIL	CALL~~**
6	1	DUST COVER	CALL~~
7	2	TILT ROD ASSEMBLY	A315
8	1	CENTER SUPPORT	B7469**
9	4	DRAWER SLIDE	B6361
10	1	TOOL TRAY	F187
11	1	TOOL DRAWER	A7553**
12	1	SHALLOW DRAWER	CALL~~**

**AUXILIARY DRAWER UNIT ACCESSORY:**

All components are included with the Drawer Unit.

\*\* Denotes Color Code  
~~ Denotes Size

\*for individual item, order that part number

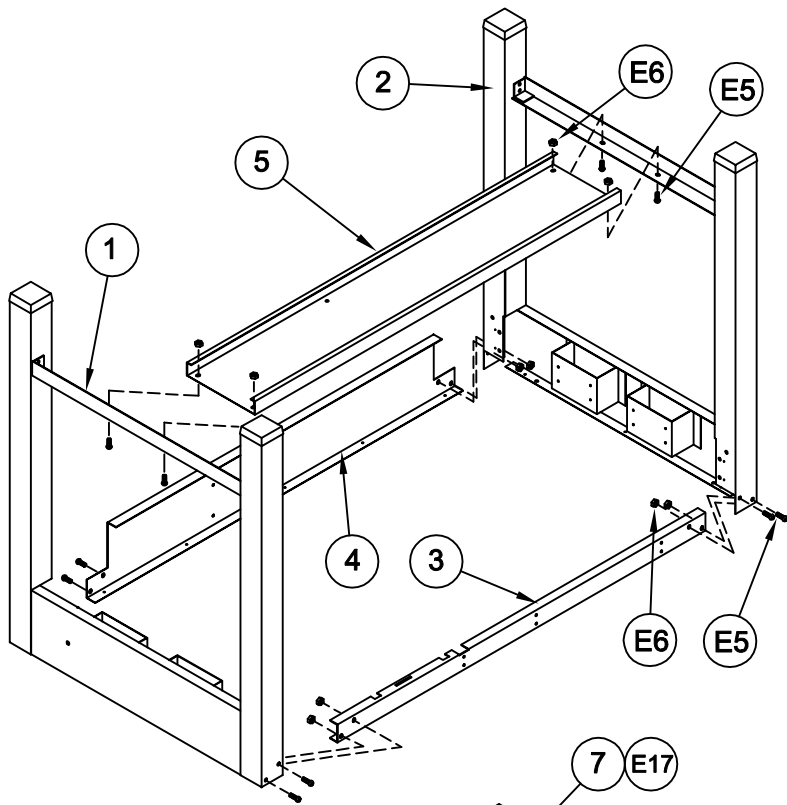
**HARDWARE BAG (PART No. A7682) TABLE**

REF. #	QTY.	DESCRIPTION	PART No.
E1	2	LOWER HINGE	B195*
E2	2	UPPER HINGE	B194*
E3	10	#10-24 x 3/8 SCREW	X147*
E4	8	#10-24 KEPS NUT	T2*
E5	12	1/4-28 x 3/8 SCREW	X156*
E6	12	1/4-28 KEPS NUT	T25*
E7	11	#8 x 5/8 SCREW	X140A*
E8	2	RUBBER BUMPER	D38*
E9	2	KNOB	K13*
E10	2	WASHER	W30*
E11	2	5/16-18 x 1/2 BOLT	X157*
E12	2	TILT ROD GUIDE	B160*
E13	1	DRAWER HANDLE	Q35*
E14	8	#8-32 x 3/8 THRD. CUTTING SCREW	X247*
E15	12	#8-32 x 5/16 MACHINE SCREW	X384*
E16	12	#8-32 ACORN NUT	T129*
E17	2	TILT ROD SPRING	V95*

**AUXILIARY DRAWER UNIT ACCESSORY:**

All hardware is included with the Drawer Unit.

## FOR LIGHT TOP INSTALLATION REFER TO INSTRUCTIONS INCLUDED WITH THE TOP



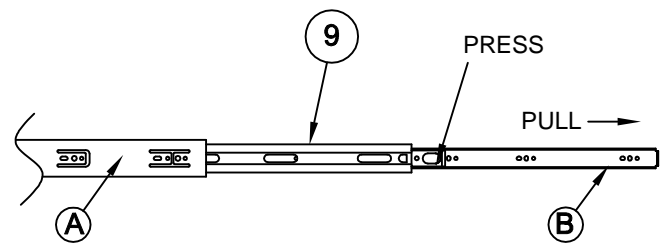
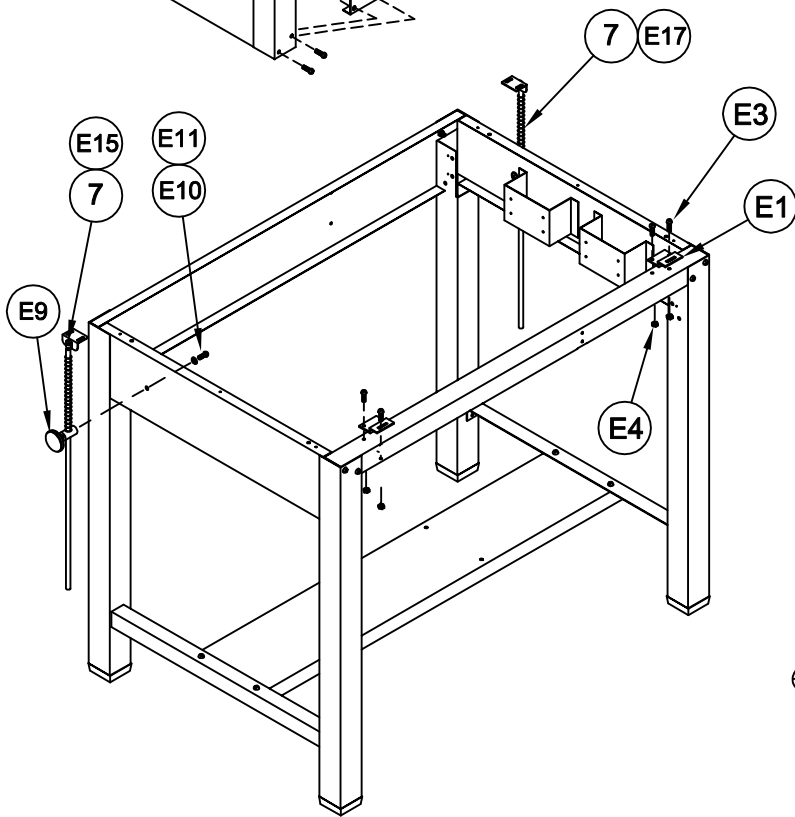
1. Place the two End Assemblies (1 & 2) upside. Position the Front Rail (3) with the larger of the two flanges toward the floor. Position the Rear Rail (4) with the Dust Cover attachment holes toward the floor. Secure these Rails to the End Assemblies with two Screws (E5) and two Nuts (E6) per end. **DO NOT** tighten screws at this time.

2. Position the Foot Rail (5) with flat surface toward the floor. Attach the Foot Rail to the End Assemblies with four Screws (E5) and Nuts (E6). **TIGHTEN** all rail attaching screws now.

3. Turn assembled table to an upright position. MAYLINE recommends that two people perform this task.

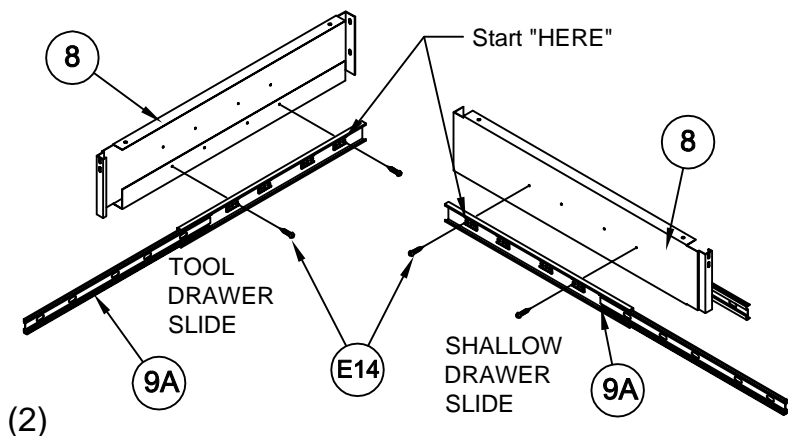
4. Fasten one Tilt Rod Guide (E12) to each side of the table using one Bolt (E11) and one Washer (E10) per guide. **DO NOT** tighten completely.

5. Insert Tilt Rod Assembly (7) through the Spring (E17). Insert the Rod and Spring through the hole in Guide and tighten in place with Plastic Knob (E9).

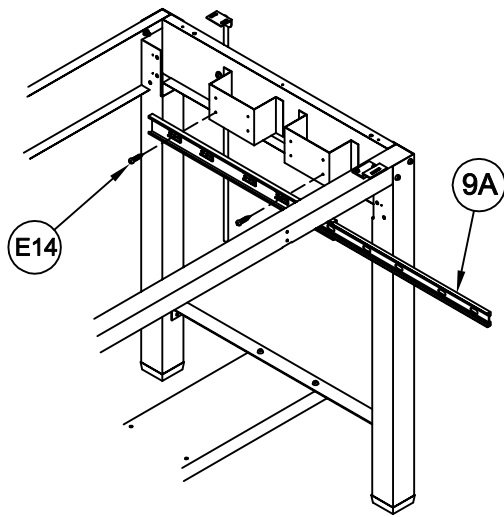


6. Separate the Drawer Slides (9) into two pieces. Extend the Slide to the full extension. Remove the smaller portion (9B) by pressing the plastic release and pulling.

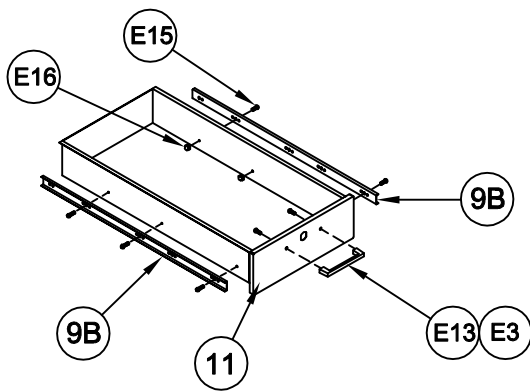
7. Attach the large Slide portion (9A) to the Center Support (8) using two Screws (E14). Begin attaching the Slide using the large 'Horizontal' slot in the last mounting tab. Repeat this procedure on the opposite side of the Center Support.



(2)



8. Attach one large Slide portion (9A) to the brackets on the R.H. side of the table using two Screws (E14). Repeat this procedure on the L.H. side of the Table.



9. Attach the smaller Slide portion (9B) to each side of the Drawer body using three Screws (E15) and three Acorn Nuts (E16). Repeat this procedure for the Shallow drawer.

10. Install the Drawer Pull (E13) onto the Tool Drawer head using Screws (E3).

11. Install the assembled Center Support into the Base. Attach the Support with two Screws (E3) and two Nuts (E4) per rail.

12. Install the drawers into the assembled table.

13. Lay the Dust Cover (6) onto the table. Align the holes in the Dust Cover with the holes in the Rails and attach with Screw (E7).

