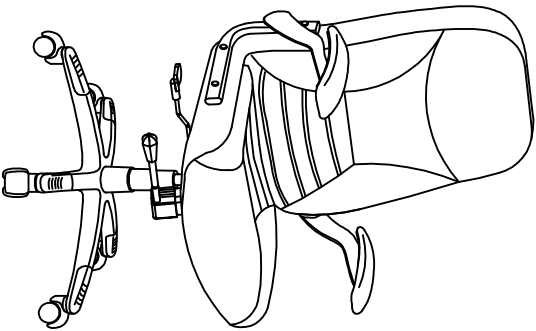


**ASSEMBLY INSTRUCTIONS**  
**COMFORT SERIES - BIG & TALL**  
**PIVOT ARM CHAIR (LEATHER)**  
**MODEL NO. 6446AAGL**

**PARIS LIS I 6446AAGL**

When ordering components, specific color and/or size information may be required.  
 Contact a Mayline Customer Service Representative. 1-800-822-8037

\* Individual Items, Order by part number.  
 \*\* Denotes Color Code



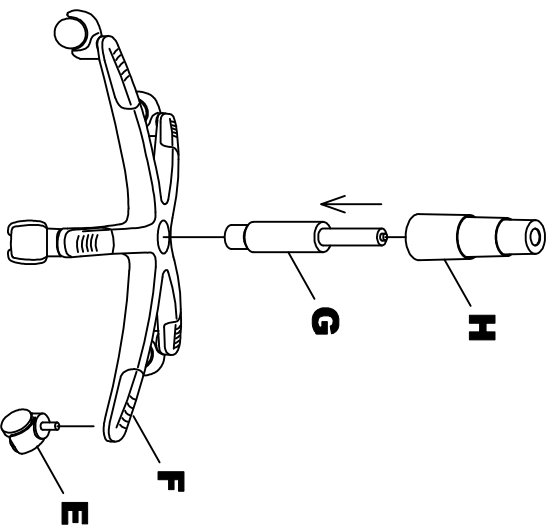
**IMPORTANT!**  
 Review **ALL instructions** before beginning assembly. These instructions are provided to avoid problems that may occur from improper assembly or installation. Mayline and/or its distributor are not responsible for failure resulting from improper assembly or installation of this product. Moreover, all warranties are void for failure to follow these assembly instructions.

Reference Letter <b>A*</b>	 CM366 * Lumbar Bulb	Quantity <b>1</b>
Reference Letter <b>B*</b>	 CM367 * Lumbar Holster	Quantity <b>1</b>
Part Number CM317** Seat		
Reference Letter <b>C*</b>	 CM326** Arms (pair)	Quantity <b>1</b>
Reference Letter <b>D*</b>	 CM331 Mechanism	Quantity <b>1</b>
Reference Letter <b>E*</b>	 CM336 Castor (5 pack)	Quantity <b>5</b>
Reference Letter <b>F*</b>	 CM340 Base	Quantity <b>1</b>

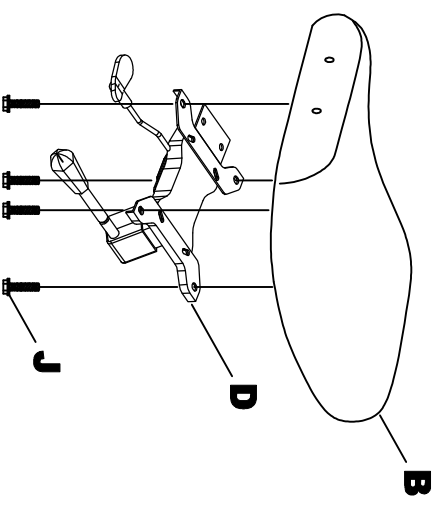
Reference Letter <b>G*</b>	 CM481 Cylinder	Quantity <b>1</b>
Reference Letter <b>H*</b>	 CM350 Cylinder Cover	Quantity <b>1</b>

Part Number CM359* Hardware Pack		
Reference Letter <b>J</b>	 Screw M8 x 32mm	Quantity <b>8</b>
Reference Letter <b>K</b>	 Screw M8 x 25mm	Quantity <b>6</b>
Reference Letter <b>L</b>	 Allen Wrench	Quantity <b>1</b>



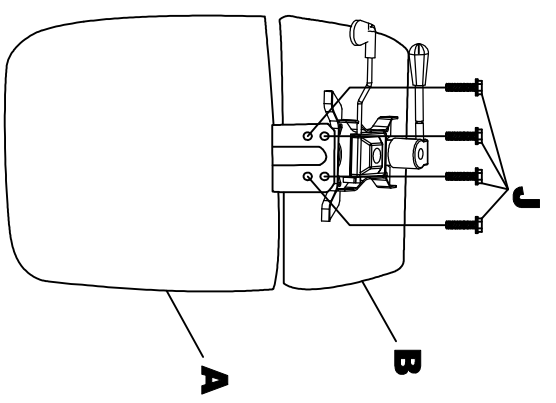


1. Place Base (F) upside down and push Casters (E) firmly into base. 5 places.
2. Turn Base right side up and insert Cylinder (G) into center hole of Base.
3. Place Cylinder Cover (H) over Cylinder.

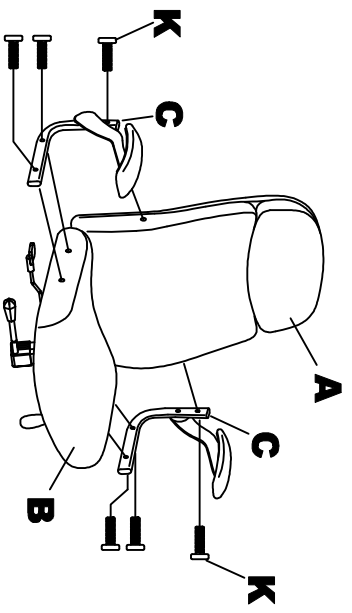


4. Assemble Mechanism (D) onto Seat (B) using Screws (J) 4 places.

(3)

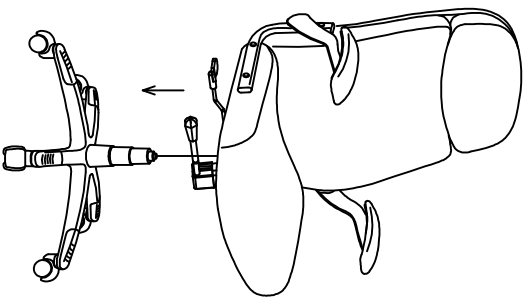


5. Assemble Back (A) onto Seat (B) using Screws (J) 4 places. DO NOT TIGHTEN SCREWS at this time. This will allow a tolerance when assembling arms.



6. Assemble Arms (C) 2 places onto Back (A) & Seat (B) using Screws (K) 6 places. DO NOT TIGHTEN SCREWS at this time.
7. After both arms are installed tighten all Screws (J) 4 places and Screws (K) 6 places.

(4)



8. Carefully place chair assembly onto base assembly.

**NOTE:**

Periodically (Every 90 days) make sure screws are fully tightened.

**OPERATING INSTRUCTIONS FOR CENTER PIVOT MECHANISM**

**1. Seat Height Adjustment.**

To raise the seat, pull lever upward and raise your body up slightly to allow the chair to rise to the desired height.

To lower the seat, pull lever upward and apply weight downward on the seat.

**Seat Upright Lock.**

To lock chair in upright position, lean forward and push knob toward chair.

To unlock chair in upright position, lean forward and pull away from chair.

**2. Tilt Tension Control Knob.**

Turn knob clockwise to increase tilt tension.

Turn knob counter-clockwise to decrease tilt tension.

