

ASSEMBLY INSTRUCTIONS

TRANSACTION SINGLE STARTER

NOTE: Please count and inspect all pieces before disposing of any carton or packing materials.

COMPONENTS: When ordering components, specific color and/or size information may be required. Contact a Mayline Customer Service Representative. 1-800-822-8037

Item #	QTY.	DESCRIPTION	PART #	Item #	QTY.	DESCRIPTION	PART #
1	1	LEG, RIGHT HAND	A8070**	6	1	PAN	Call~~**
2	1	LEG, LEFT HAND	A8069**	7	1	WORK SURFACE	Call~~**
3	1	BEAM ASSEMBLY	Call~~**	8	0/2/3	ACCESS PANEL	Call~~**
4	1	TROUGH SIDE	Call~~**	9	2	OUTER LEG PANEL	TASEP**
5	1	TROUGH SIDE, SINGLE	Call~~**	10	2	INNER LEG PANEL	B8223**

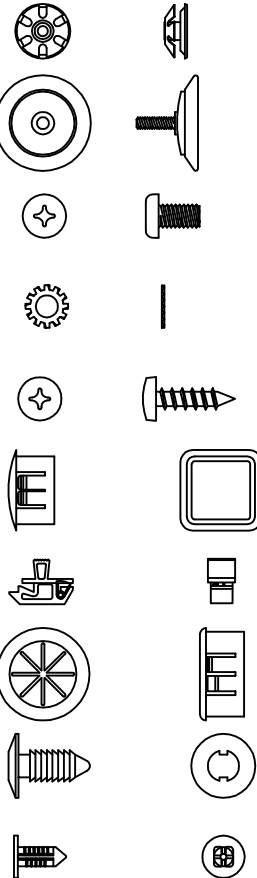
** Denotes Color Code

~~Denotes Size

HARDWARE BAG (PART No. A8077)

* for individual item, order that part number

Item #	QTY	DESCRIPTION	PART #
E1	4	TUBE INSERT, 5/16-18	T139*
E2	4	GLIDE	Q608*
E3	15	SCREWS #10-32 x 1/2"	X204*
E4	6	WASHER, EXT STAR #10	W38*
E5	14	SCREW #10 x 3/4	X11*
E6	3	PLUG, SQUARE HOLE	F782*
E7	2	SLAM LATCH	Q643*
E8	1	BUSHING	F764*
E9	8	RATCHET FASTENER	F483*
E10	4	PINE TREE CLIP	F529*



MAYLINE®

619 N. Commerce, P.O. Box 728, Sheboygan, WI 53082-0728
www.mayline.com 800-822-8037 Fax 920-457-7388

WORK SURFACE HARDWARE

TAST48, TAST60, TAST72:

SINGLE TRANSACTION "without" ACCESS PANELS

No additional hardware is required with these products.

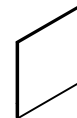
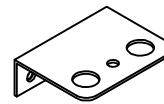
TAST48S

SINGLE TRANSACTION STARTER "with" ACCESS PANELS

HARDWARE BAG (PART No. A8116)

* for individual item, order that part number

<u>Item #</u>	<u>QTY</u>	<u>DESCRIPTION</u>	<u>PART #</u>
E11	2	ANGLE, MOUNTING	B8267*
E12	5	SCREWS #10-32 x 1/2"	X204*
E13	2	DOWEL PIN. PLASTIC	F783*
E14	6	2" X 2" SPACER	E544*



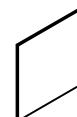
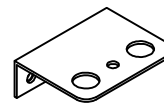
TAST60S, TAST72S

SINGLE TRANSACTION STARTER "with" ACCESS PANELS

HARDWARE BAG (PART No. A8117)

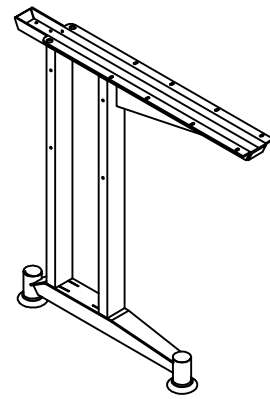
* for individual item, order that part number

<u>Item #</u>	<u>QTY</u>	<u>DESCRIPTION</u>	<u>PART #</u>
E11	4	ANGLE, MOUNTING	B8267*
E12	9	SCREWS #10-32 x 1/2"	X204*
E13	8	DOWEL PIN. PLASTIC	F783*
E14	8	2" X 2" SPACER	E544*

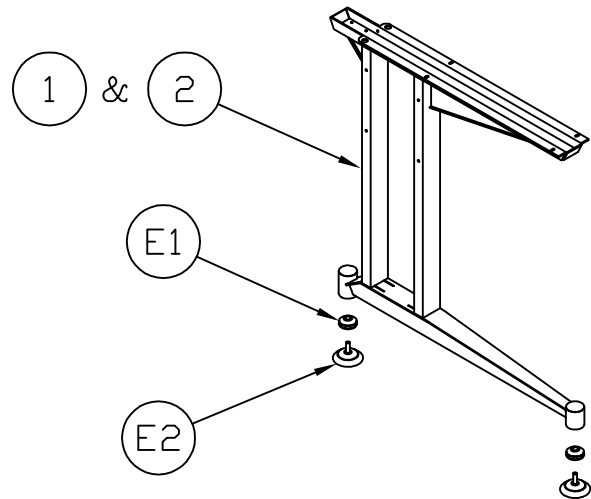


NOTE:

If the desired configuration utilizes multiple adders, substitute an Adder Leg (TASAL**) for the right hand starter leg.



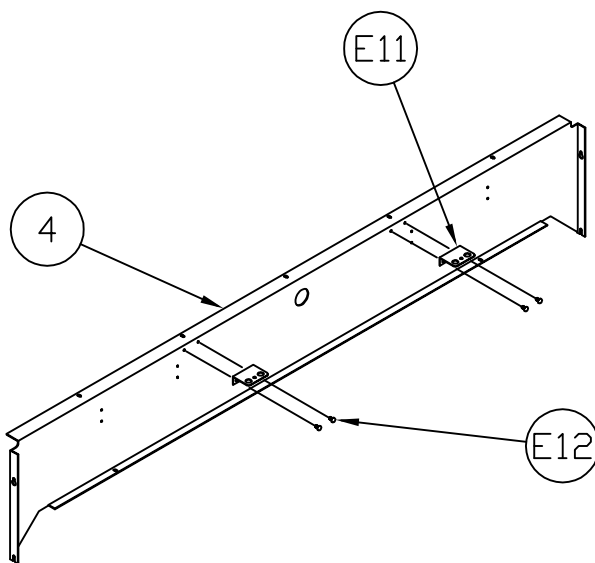
1. Install tube inserts (E1) into legs (1 & 2).
NOTE: Substitute Adder Leg (TASAL**) for Right Hand Leg (1) when final configuration utilizes multiple adders.
2. Screw glide (E2) into inserts.



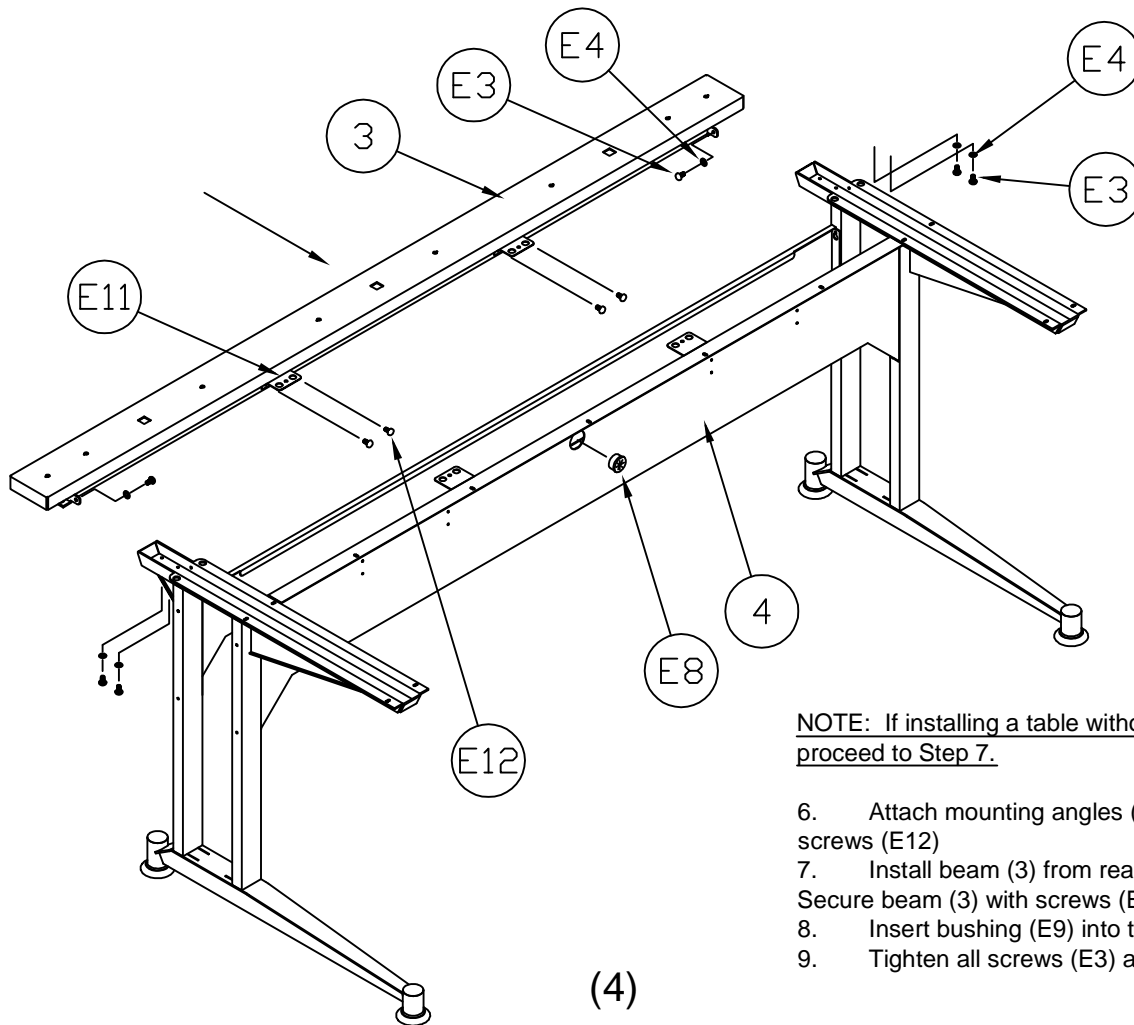
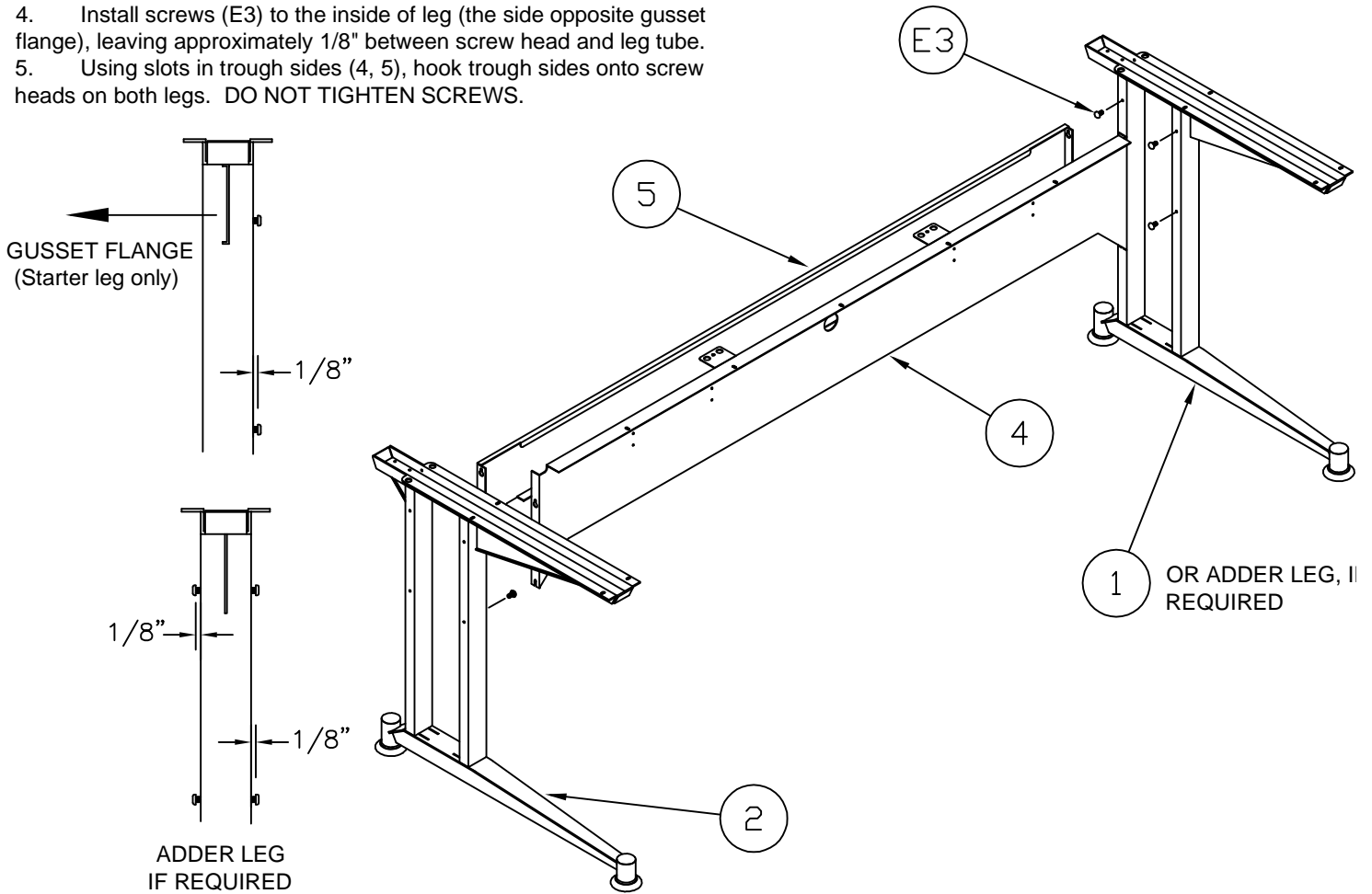
NOTE: The illustrations shown here reflect a 60"W or 72"W table. If installing a 48"W, part quantities may vary.

NOTE: If installing a table without access panels (8), proceed to Step 4.

3. Attach mounting angles (E11) to trough side (4) using screws (E12).



4. Install screws (E3) to the inside of leg (the side opposite gusset flange), leaving approximately 1/8" between screw head and leg tube.
5. Using slots in trough sides (4, 5), hook trough sides onto screw heads on both legs. DO NOT TIGHTEN SCREWS.



6. Attach mounting angles (E11) to beam (3) using screws (E12)
7. Install beam (3) from rear, sliding onto legs. Secure beam (3) with screws (E3) and washers (E4).
8. Insert bushing (E9) into trough side (4).
9. Tighten all screws (E3) at this time.

(4)

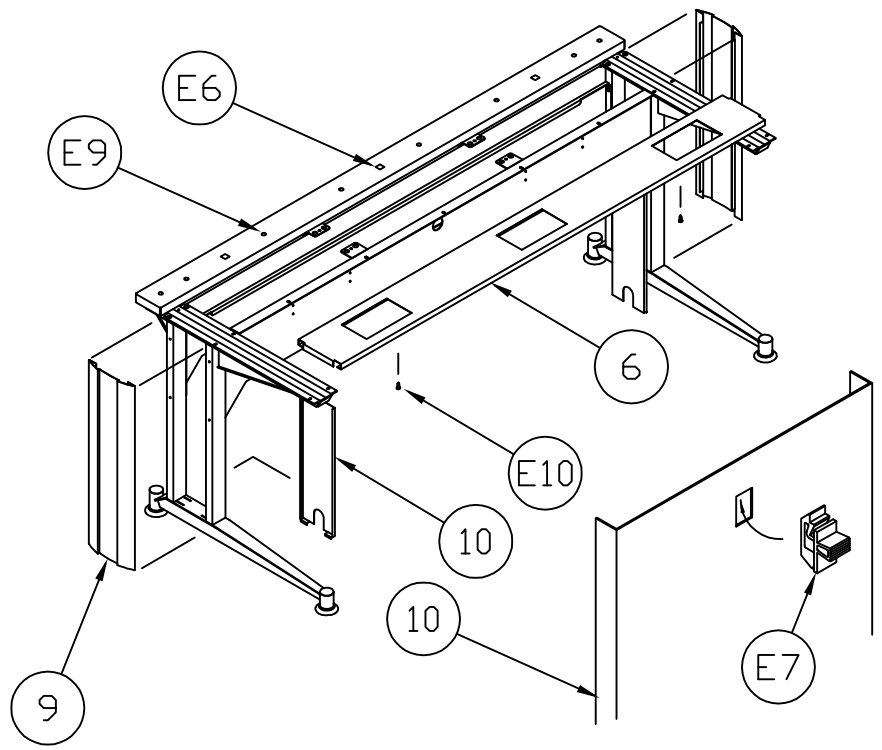
10. Lay pan (6) onto trough sides flanges (4 & 5). Secure pan (6) to trough sides (4 & 5) using pine tree (E10)

11. Install slam latch (E7) into slot in the inner leg panel (10) as shown.

12. Insert tabs in the bottom of inner leg panel (10) into slots in foot. Rotate inner leg panel (10) up so that slam latch catches flange on pan (6).

13. Install outside leg panels (9) by aligning the one flange with the inside edge of the tube and applying pressure to create a curve in the end panel that allows 2nd flange to slide inside edge of tube.

14. Insert square hole plugs (E6) and ratchet fastener (E9) into holes in beam. NOTE: This step should be done after privacy panels or monitor posts are installed in the beam.



For tables "WITHOUT" Access Panels (8).

15. Position work surface (7) without access panels and secure with screws (E5).

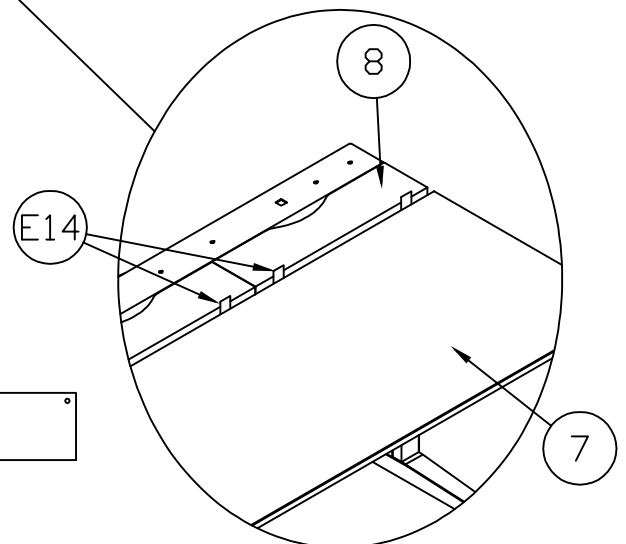
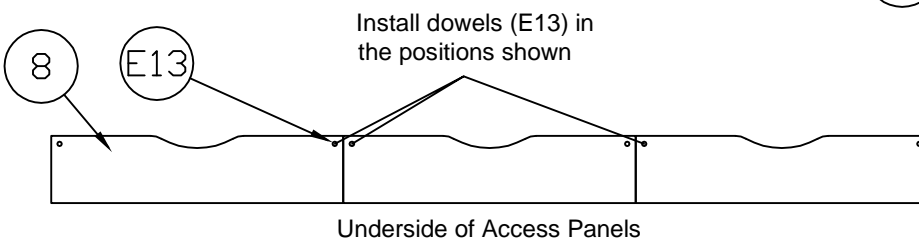
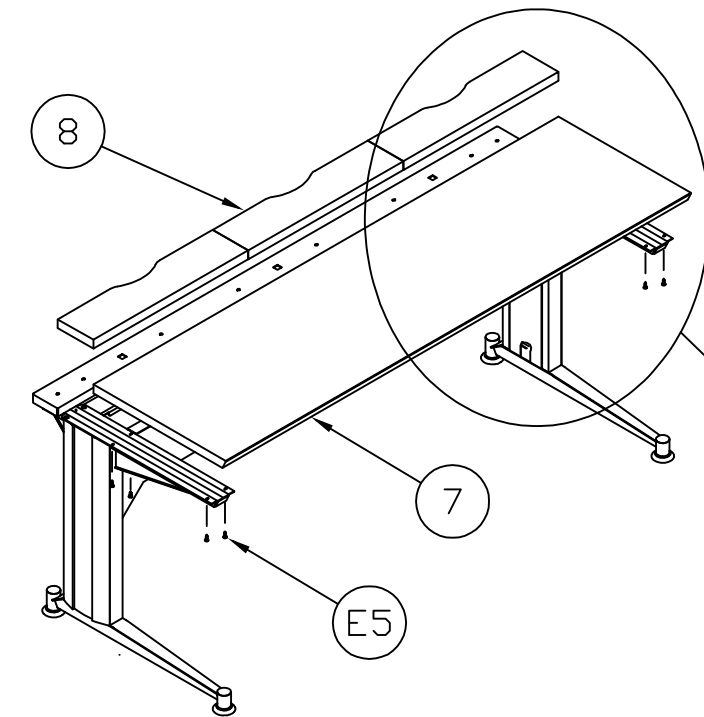
For tables "WITH" Access Panels (8).

15. Insert dowels (E13) into holes in access panels (8) as shown below. NOTE: For 48" W tables use the positions shown in the far left and right of the view below.

16. Lay access panels (8) onto table frame so that dowels engage holes in mounting angles.

17. Insert spacers (E14) between access panels and work surfaces as shown (2 per access panel).

18. Position work surfaces and secure with screws (E5). Remove spacers.



(5)