

ASSEMBLY INSTRUCTIONS

TRANSACTION SINGLE ADDER



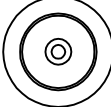
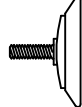





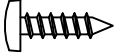










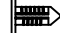

NOTE: Please count and inspect all pieces before disposing of any carton or packing materials.

COMPONENTS: When ordering components, specific color and/or size information may be required. Contact a Mayline Customer Service Representative. 1-800-822-8037

Item #	QTY.	DESCRIPTION	PART #	Item #	QTY.	DESCRIPTION	PART #
1	1	LEG, ADDER	A8023**	6	1	WORK SURFACE	Call~~**
2	1	BEAM ASSEMBLY	Call~~**	7	0/2/3	ACCESS PANEL	Call~~**
3	1	TROUGH SIDE	Call~~**	8	2	INNER LEG PANEL	B8223**
4	1	TROUGH SIDE, SINGLE	Call~~**	9	1	ANGLE, TOP JOINING	B8224**
5	1	PAN	Call~~**				

** Denotes Color Code
~~Denotes Size

HARDWARE BAG (PART No. A8101) * for individual item, order that part number

Item #	QTY	DESCRIPTION	PART #		
E1	2	TUBE INSERT, 5/16-18	T139*		
E2	2	GLIDE	Q608*		
E3	15	SCREWS #10-32 x 1/2"	X204*		
E4	6	WASHER, EXT STAR #10	W38*		
E5	14	SCREW #10 x 3/4	X11*		
E6	3	SCREW #10 x 1	X12*		
E7	3	PLUG, SQUARE HOLE	F782*		
E8	2	SLAM LATCH	Q643*		
E9	1	BUSHING	F764*		
E10	8	PINE TREE CLIP	F483*		
E11	4	PINE TREE CLIP	F529*		



MAYLINE®

619 N. Commerce, P.O. Box 728, Sheboygan, WI 53082-0728
www.mayline.com 800-822-8037 Fax 920-457-7388

WORK SURFACE HARDWARE

TAST48, TAST60, TAST72:

SINGLE TRANSACTION ADDER "without" ACCESS PANELS

No additional hardware is required with these products.

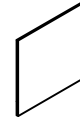
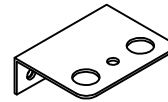
TAST48A

SINGLE TRANSACTION ADDER "with" ACCESS PANELS

HARDWARE BAG (PART No. A8117)

* for individual item, order that part number

<u>Item #</u>	<u>QTY</u>	<u>DESCRIPTION</u>	<u>PART #</u>
E12	4	ANGLE, MOUNTING	B8267*
E13	9	SCREWS #10-32 x 1/2"	X204*
E14	8	DOWEL PIN. PLASTIC	F783*
E15	8	2" X 2" SPACER	E544*



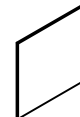
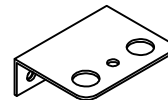
TAST60A, TAST72A

SINGLE TRANSACTION ADDER "with" ACCESS PANELS

HARDWARE BAG (PART No. A8118)

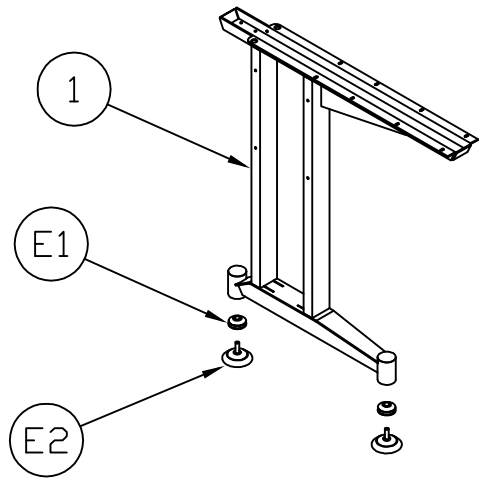
* for individual item, order that part number

<u>Item #</u>	<u>QTY</u>	<u>DESCRIPTION</u>	<u>PART #</u>
E12	6	ANGLE, MOUNTING	B8267*
E13	13	SCREWS #10-32 x 1/2"	X204*
E14	6	DOWEL PIN. PLASTIC	F783*
E15	6	2" X 2" SPACER	E544*



1. Install tube inserts (E1) into leg (1).
2. Screw glide (E2) into inserts.

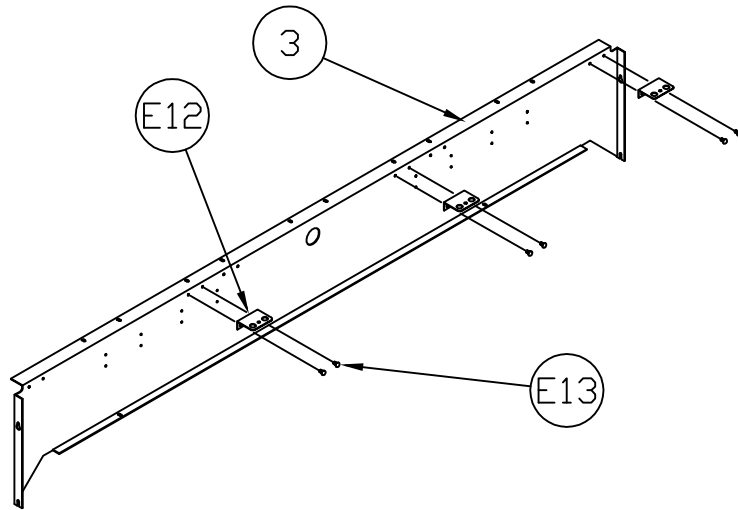
NOTE: If the desired configuration utilizes multiple adders, substitute an adder leg for the right hand starter leg shown in the following steps.



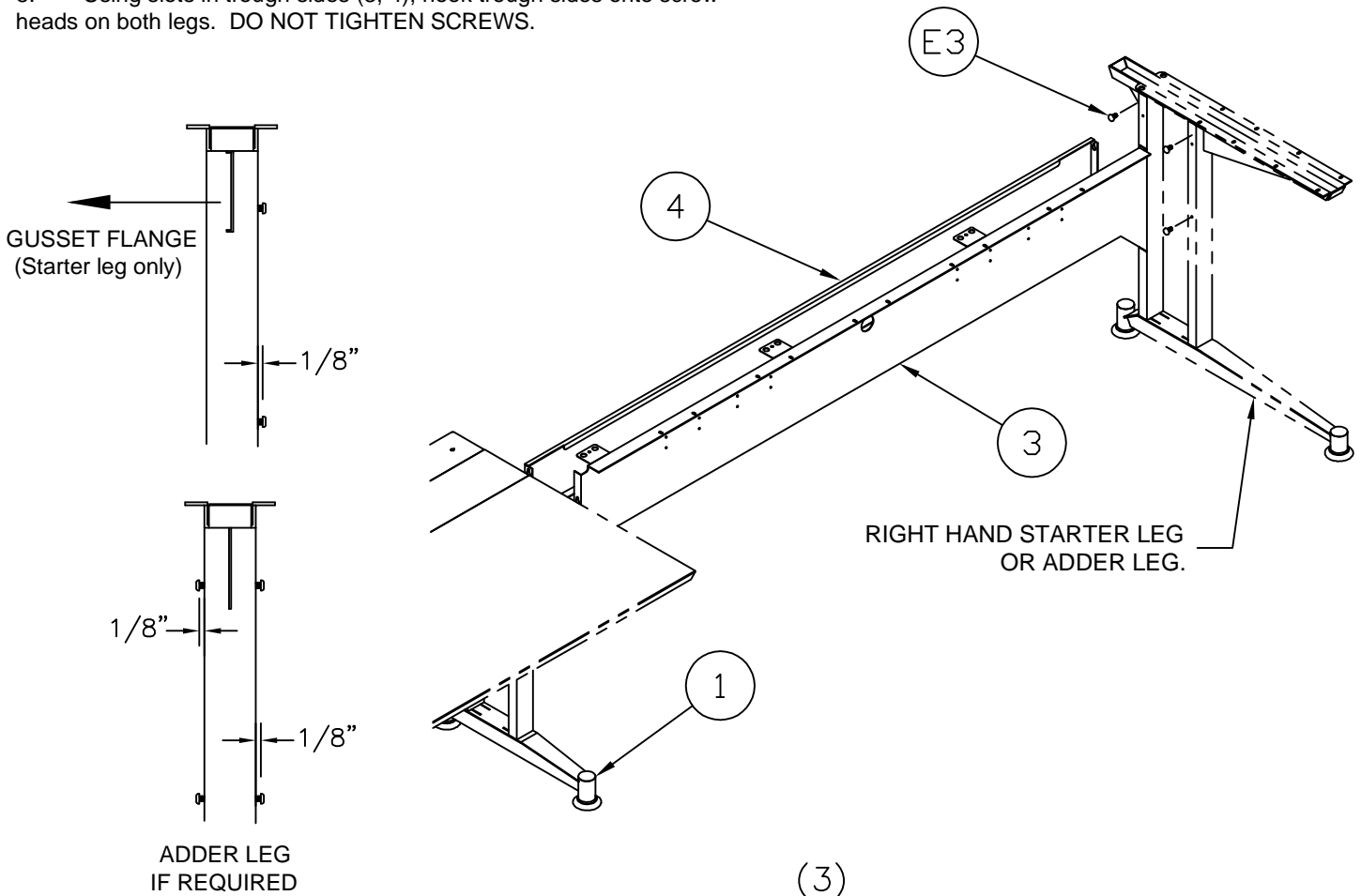
NOTE: The illustrations shown here reflect a 60"W or 72"W table. If installing a 48"W, part quantities may vary.

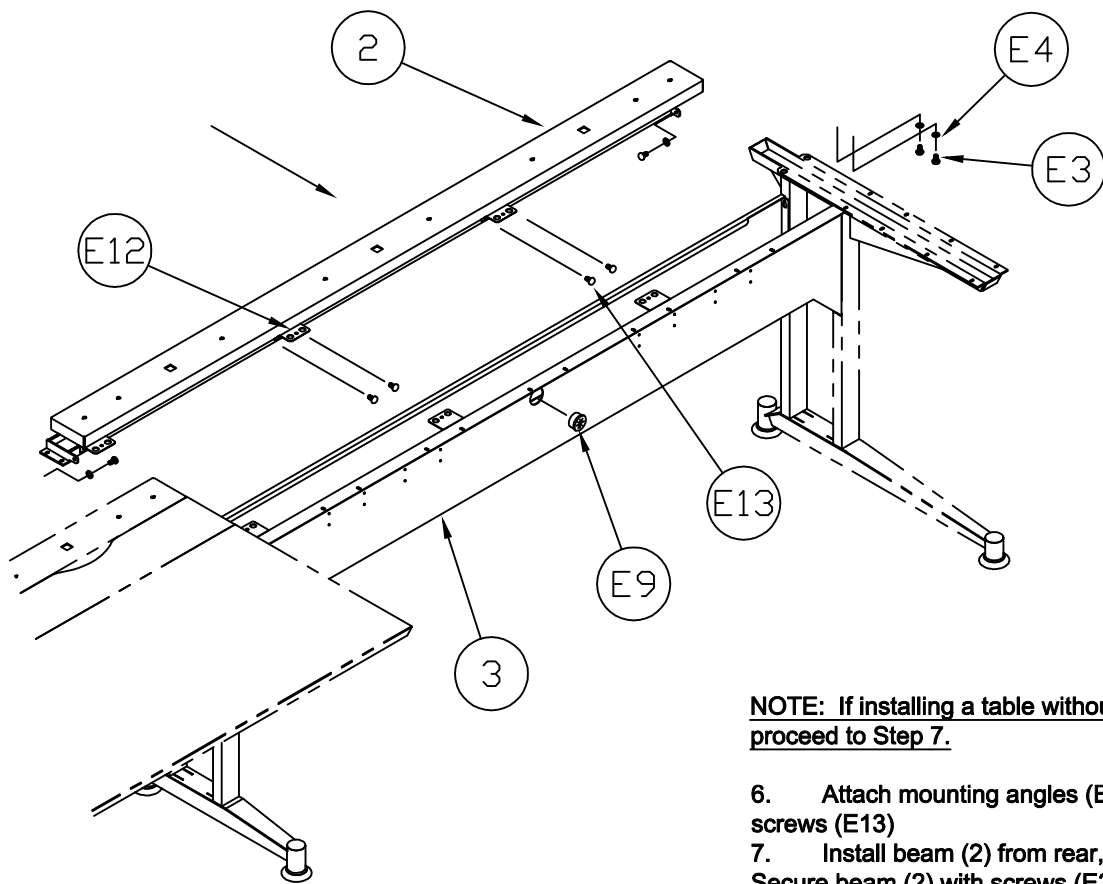
NOTE: If installing a table without access panels (7), proceed to Step 4.

3. Attach mounting angles (E12) to trough side (3) using screws (E13).



4. Install screws (E3) to the inside of leg (the side opposite gusset flange), leaving approximately 1/8" between screw head and leg tube.
5. Using slots in trough sides (3, 4), hook trough sides onto screw heads on both legs. **DO NOT TIGHTEN SCREWS.**

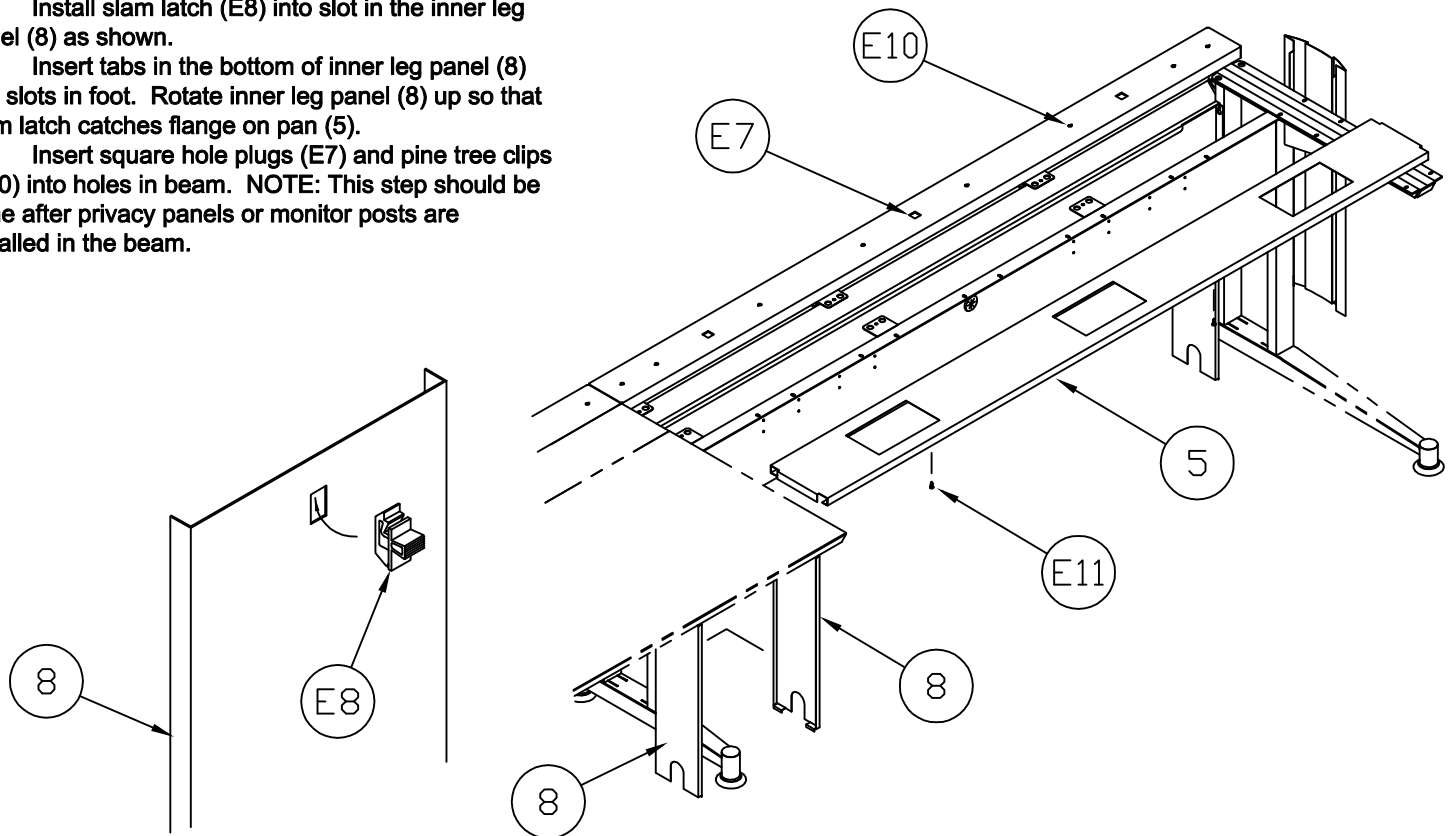




NOTE: If installing a table without access panels (7), proceed to Step 7.

6. Attach mounting angles (E12) to beam (2) using screws (E13)
7. Install beam (2) from rear, sliding onto legs. Secure beam (2) with screws (E3) and washers (E4). Tighten all screws (E3) at this time.
8. Insert bushing (E9) into trough side (3).

9. Lay pan (5) onto trough sides flanges (3 & 4). Secure pan (5) to trough sides (3 & 4) using pine tree clips (E11)
10. Install slam latch (E8) into slot in the inner leg panel (8) as shown.
11. Insert tabs in the bottom of inner leg panel (8) into slots in foot. Rotate inner leg panel (8) up so that slam latch catches flange on pan (5).
13. Insert square hole plugs (E7) and pine tree clips (E10) into holes in beam. **NOTE: This step should be done after privacy panels or monitor posts are installed in the beam.**



For tables "WITHOUT" Access Panels (7).

14. Position work surface (6) without access panels and secure with screws (E5).

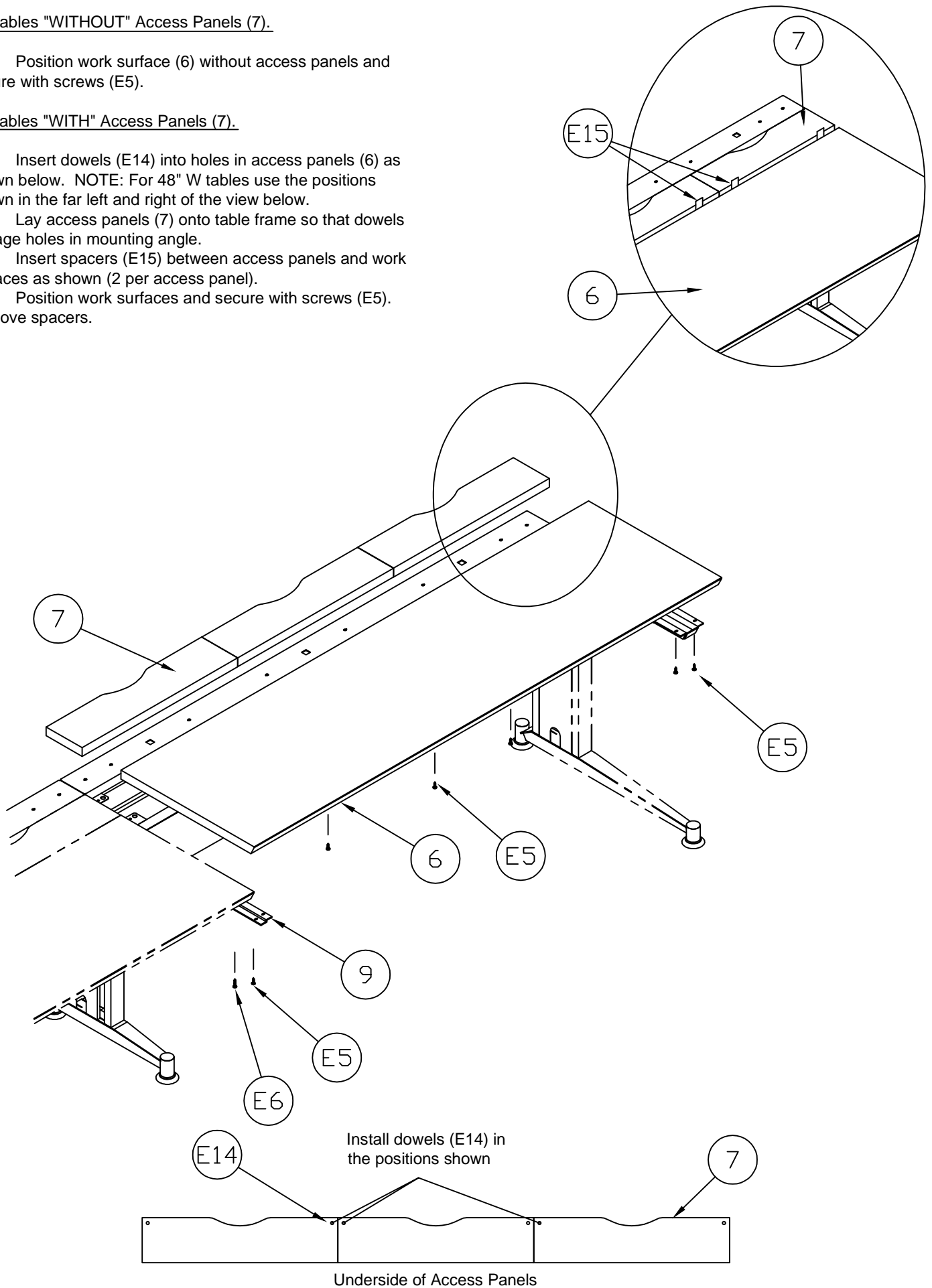
For tables "WITH" Access Panels (7).

14. Insert dowels (E14) into holes in access panels (6) as shown below. NOTE: For 48" W tables use the positions shown in the far left and right of the view below.

15. Lay access panels (7) onto table frame so that dowels engage holes in mounting angle.

16. Insert spacers (E15) between access panels and work surfaces as shown (2 per access panel).

17. Position work surfaces and secure with screws (E5). Remove spacers.



18. Remove screws (E5) from existing worksurface and install top joining angle (9) using screws (E6).
19. Position work surface (6) and secure using screws (E5).

