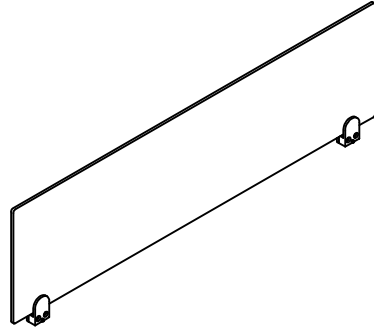


# ASSEMBLY INSTRUCTIONS TRANSACTION LATERAL ACRYLIC PANELS

---



NOTE: Please count and inspect all pieces before disposing of any carton or packing materials.

## COMPONENTS:

When ordering components, specific color and/or size information may be require  
Contact a Mayline Customer Service Representative. 1-800-822-8037

<u>REF. #</u>	<u>QTY.</u>	<u>DESCRIPTION</u>	<u>PART No.</u>
1	1	ACRYLIC PANEL	CALL~~**
2	2	CLAMP ASSEMBLY	A8058**

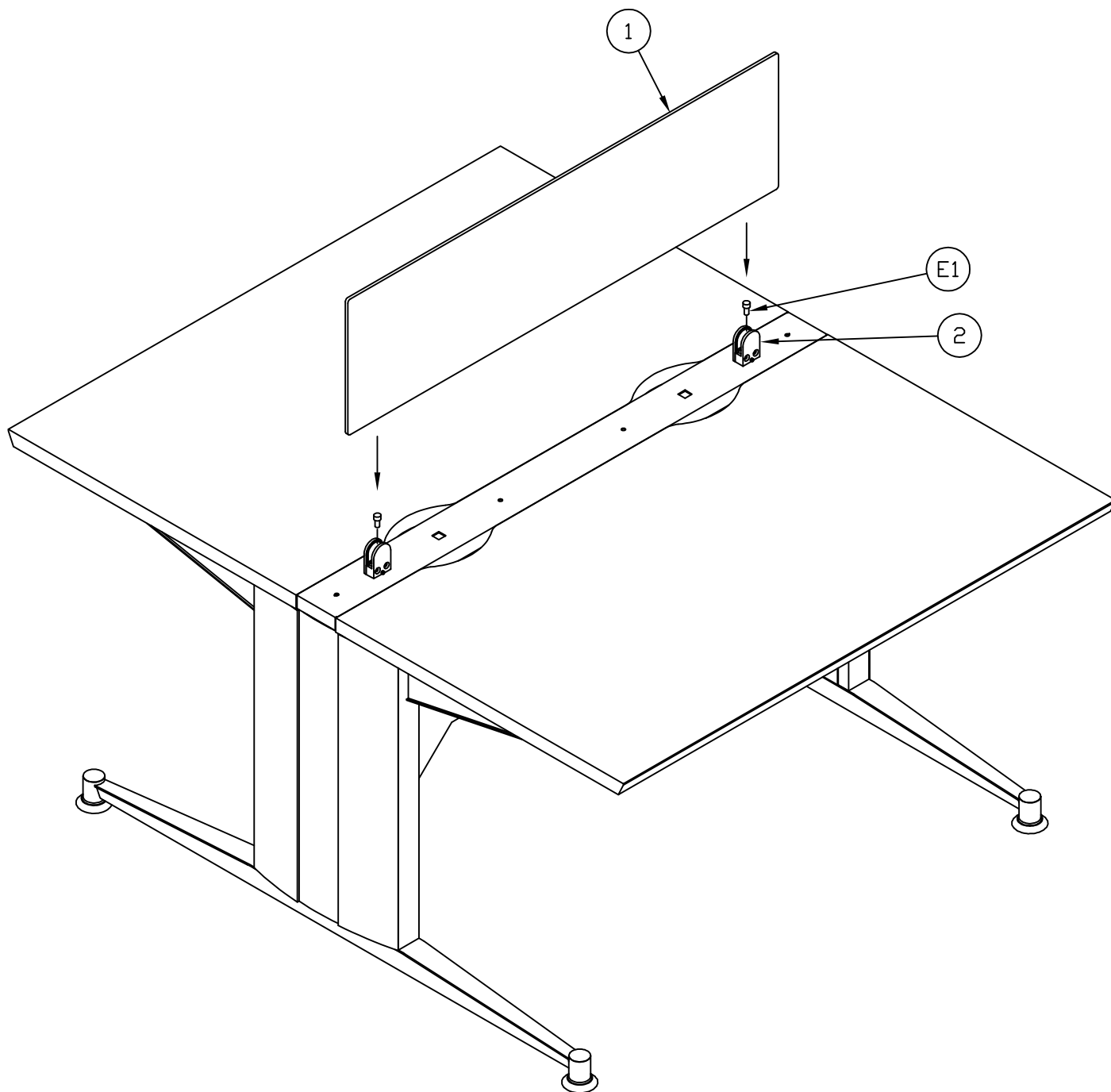
\*\* Denotes Color Code

~~Denotes Size

## HARDWARE BAG (PART No. A8111) \*for individual item, order that part number

<u>REF. #</u>	<u>QTY</u>	<u>DESCRIPTION</u>	<u>PART No.</u>		
E1	2	5/16-18 x 5/8"	X440*		
E2	1	5/16-18 x 3/8"	X385*		
E3	1	1/4-20 x 5/8"	X404*		
E4	1	1/4-20	T12*		

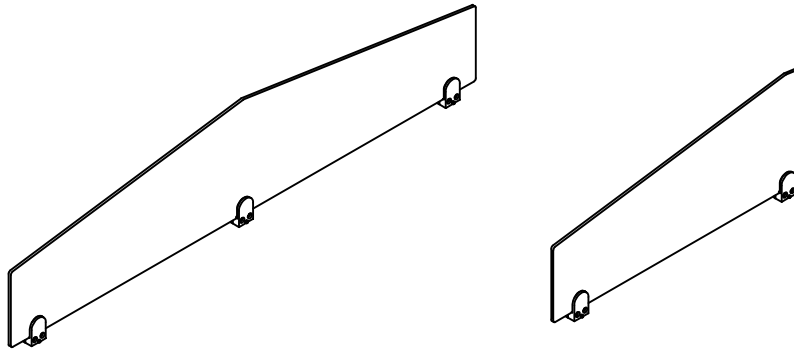
1. With clamp screws loose, attach Clamps (2) to table beam using Screws (E1) in the desired locations.
2. Slide Acrylic Panel (1) into Clamps (2).
3. Secure panel by tightening clamp screws.



# ASSEMBLY INSTRUCTIONS

## TRANSACTION ACRYLIC DIVIDER PANELS

---



*NOTE: Please count and inspect all pieces before disposing of any carton or packing materials.*


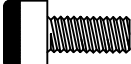



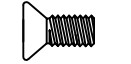


### COMPONENTS:

When ordering components, specific color and/or size information may be require  
 Contact a Mayline Customer Service Representative. 1-800-822-8037

<u>REF. #</u>	<u>QTY.</u>	<u>DESCRIPTION</u>	<u>PART No.</u>
1	1	ACRYLIC PANEL	CALL~~**
2	1/2	CLAMP ASSEMBLY	J24
3	1	OFFSET PLATE	B8356**

*\*\* Denotes Color Code  
 ~~Denotes Size*

### HARDWARE BAG (PART No. A8111) *\*for individual item, order that part number*

<u>REF. #</u>	<u>QTY</u>	<u>DESCRIPTION</u>	<u>PART No.</u>		
E1	2	5/16-18 x 3/8"	X385*		
E1	2	5/16-18 x 3/8"	X385*		
E1	2	5/16-18 x 3/8"	X385*		
E1	2	5/16-18 x 3/8"	X385*		

1. Attach Clamp Assemblies (2) to each end of the Acrylic Panel (1) at notch by sliding panel into Clamp Assembly (2) and tightening screws.

Next steps vary depending on location of panel.

For table end location:

2. Attach center Clamp Assembly (2) to table beam using screws (E1). Note: Clamp Assembly screws may need to be loosened to allow for screw to fit into Clamp assembly and attach to the beam.

3. Slide Acrylic Panel (1) into Clamps (2).

4. Secure panel by tightening clamp screws.

For table seam location:

2. Attach center Clamp Assembly (2) to Offset Plate (3) using Screw (E3) and Nut (E4). Note: Clamp Assembly screws may need to be loosened to allow for screw to fit into Clamp assembly and attach to the beam.

3. Attach Clamp and Plate assembly to table beam using Screw (E2).

3. Slide Acrylic Panel (1) into Clamps (2).

4. Secure panel by tightening clamp screws.

