

ASSEMBLY INSTRUCTIONS

TRANSACTION 6' ADDER TABLE




NOTE: Please count and inspect all pieces before disposing of any carton or packing materials.

COMPONENTS: When ordering components, specific color and/or size information may be required. Contact a Mayline Customer Service Representative. 1-800-822-8037

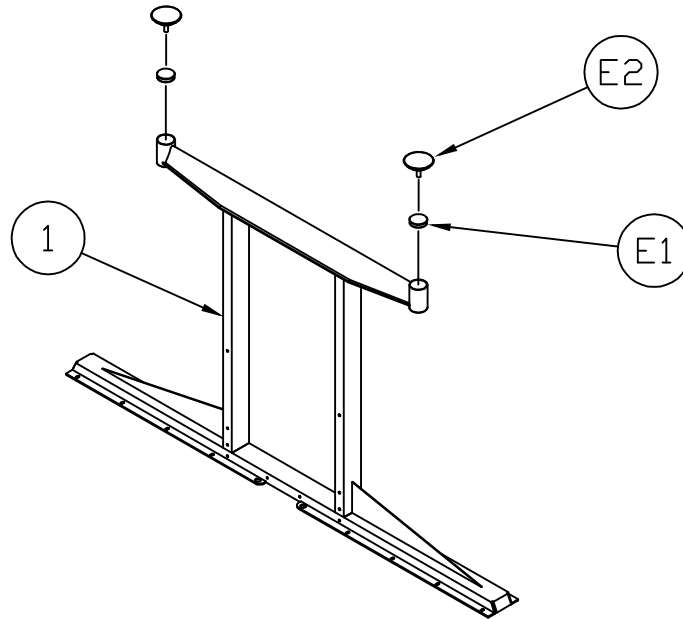
Item #	QTY.	DESCRIPTION	PART #	Item #	QTY.	DESCRIPTION	PART #
1	1	ADDER LEG	A8046**	6	2	CENTER ACCESS PANEL	B8311**
2	2	SPREADER	B8376**	7	2	INNER LEG PANEL 11.79"	B8411**
3	1	TROUGH ASSEMBLY	A8103**	8	1	R.H. CONNECTOR PANEL	B8312
4	1	WORKSURFACE	TACT6A**	9	1	L.H. CONNECTOR PANEL	B8313
5	4	OUTSIDE ACCESS PANEL	B8378**	10	1	GROMMET	F787BK
				11	1	WIRE COVER	F784G

** Denotes Color Code

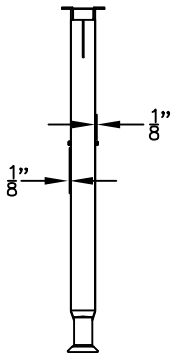
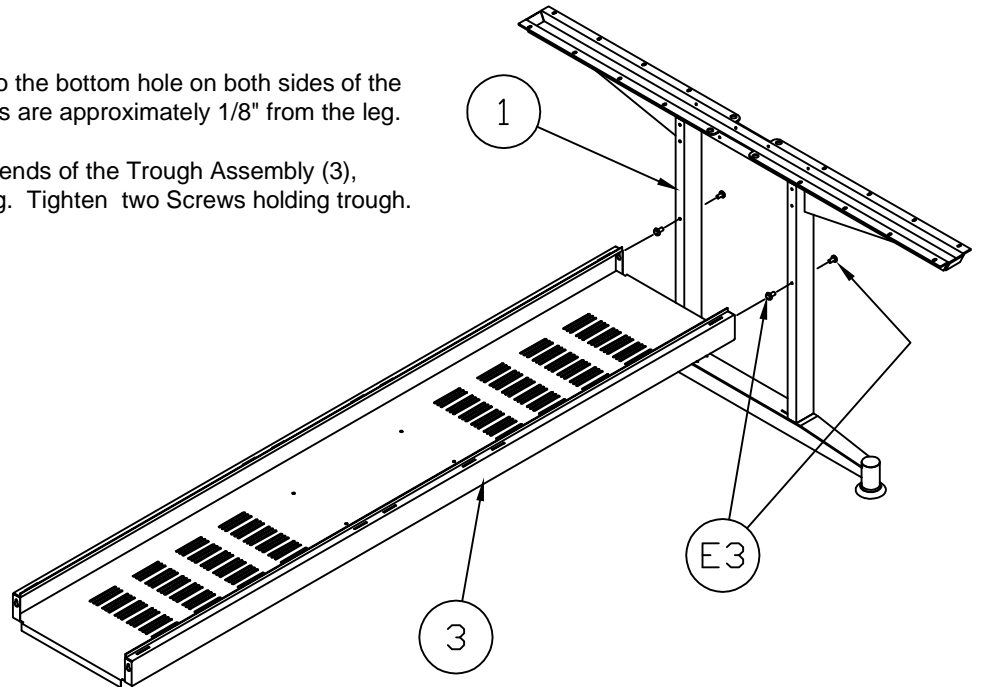
HARDWARE BAG (PART No. A8123) * for individual item, order that part number

Item #	QTY	DESCRIPTION	PART #		
E1	2	TUBE INSERT, 5/16-18	T139*		
E2	2	GLIDE	Q608*		
E3	18	SCREWS #10-32 x 1/2"	X204*		
E4	32	SCREW #10 x 3/4	X11*		
E5	2	SLAM LATCH	Q643*		
E6	12	SLAM LATCH	Q624*		
E7	4	FELT PAD	E517*		
E8	4	STAND OFF	B8415*		
E9	2	SCREW #6 x 1	X14*		

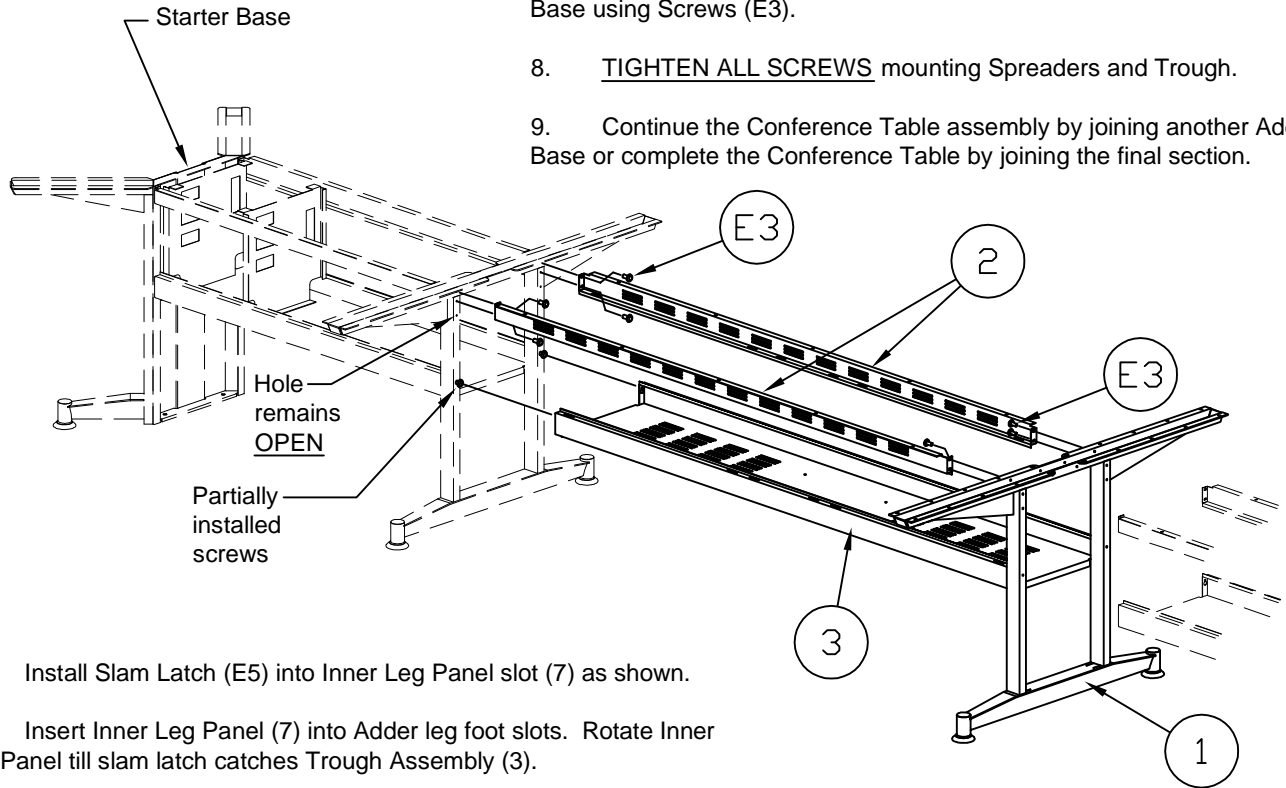
1. Install threaded inserts (E1) into Adder Leg (1).
2. Thread Glides (E2) into threaded inserts installed in Step 1.



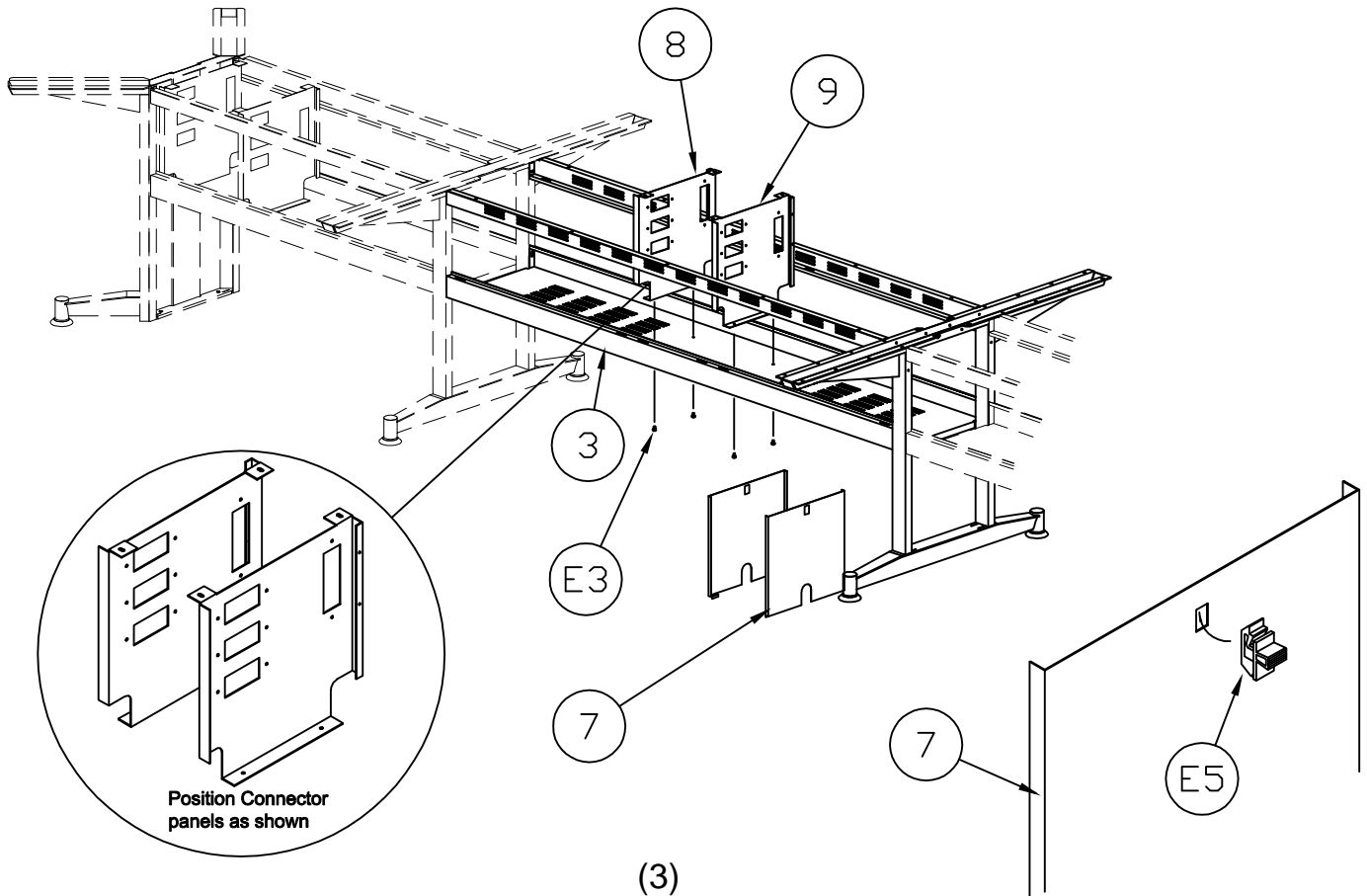
3. Partially install Screws (E3) into the bottom hole on both sides of the Adder Leg (1) so that the screw heads are approximately 1/8" from the leg.
4. Using the key hole slots in the ends of the Trough Assembly (3), attach Trough Assembly to Adder Leg. Tighten two Screws holding trough.



5. Assemble Starter Base per instructions included with that product.
6. Move assembled Adder Base into position. Using the key hole slots in Trough end (3), attach the Trough to the partially installed screws in the assembled Starter Base.
7. Install two Spreaders (2) to Adder Leg (1) and to assembled Starter Base using Screws (E3).
8. **TIGHTEN ALL SCREWS** mounting Spreaders and Trough.
9. Continue the Conference Table assembly by joining another Adder Base or complete the Conference Table by joining the final section.



10. Install Slam Latch (E5) into Inner Leg Panel slot (7) as shown.
11. Insert Inner Leg Panel (7) into Adder leg foot slots. Rotate Inner Leg Panel till slam latch catches Trough Assembly (3).
12. Position Connector Panels (8 & 9) as shown in detail. Attach Connector Panels (8 & 9) to Trough Assembly (3) using screws (E3).



13. Position Starter Worksurface over Starter Base and loosely fasten in place using hardware and instructions supplied with that product. Position Adder Worksurface (4) on Adder base and loosely fasten using screws (E4) through legs, spreader and connector panels.

14. Continue the Conference Table assembly by installing another Adder worksurface or complete the Conference Table by installing the final worksurface.

Once **ALL** tops are installed and aligned, tighten all screws.

15. Insert slam latch (E6) into Access Panels (5 & 6).

16. Install the Access Panels into the table base by inserting Panel tabs into Trough (3) slots. Pivot panels up until latch catches on spreader.

17. Insert Grommet (10) into hole in Worksurface (4) and fasten using Screws (E9).

18. Attach Standoffs (E8) to Wire Cover (11).

19. Adhere Felt Pads (E7) to the bottom of Standoffs (E8).

