

ASSEMBLY INSTRUCTIONS TRANSACTION 120° STARTER

NOTE: Please count and inspect all pieces before disposing of any carton or packing materials.

COMPONENTS: When ordering components, specific color and/or size information may be required. Contact a Mayline Customer Service Representative. 1-800-822-8037

Item #	QTY.	DESCRIPTION	PART #	Item #	QTY.	DESCRIPTION	PART #
1	3	LEG	A8043**	7	0/12	ACCESS PANEL	L7006**
2	3	BEAM ASSEMBLY	A8139**	8	3	CENTER ACCESS PANEL	L7286**
3	6	TROUGH SIDE	B8438**	9	3	OUTER LEG PANEL	B8258**
4	3	PAN	B8439**	10	3	INNER LEG PANEL	B8219**
5	1	CORNER CONNECTOR	Call~~**	11	3	CORNER CONNECTOR	
6	3	WORK SURFACE	Call~~**			INNER LEG PANEL	B8440**

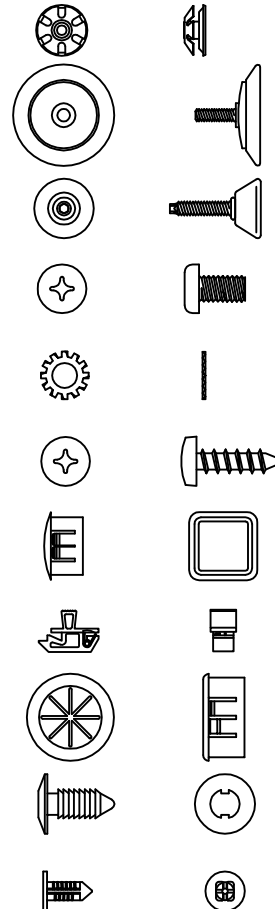
** Denotes Color Code

~~Denotes Size

HARDWARE BAG (PART No. A8146)

* for individual item, order that part number

Item #	QTY	DESCRIPTION	PART #
E1	6	TUBE INSERT, 5/16-18	T139*
E2	6	GLIDE	Q608*
E3	3	GLIDE	Q630*
E4	38	SCREWS #10-32 x 1/2"	X204*
E5	12	WASHER, EXT STAR #10	W38*
E6	44	SCREW #10 x 3/4	X11*
E7	7	PLUG, SQUARE HOLE	F782*
E8	6	SLAM LATCH	Q643*
E9	9	BUSHING	F764*
E10	18	RATCHET FASTENER	F483*
E11	12	PINE TREE CLIP	F529*

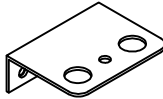

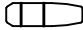
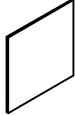


619 N. Commerce, P.O. Box 728, Sheboygan, WI 53082-0728
www.mayline.com 800-822-8037 Fax 920-457-7388

WORK SURFACE HARDWARE

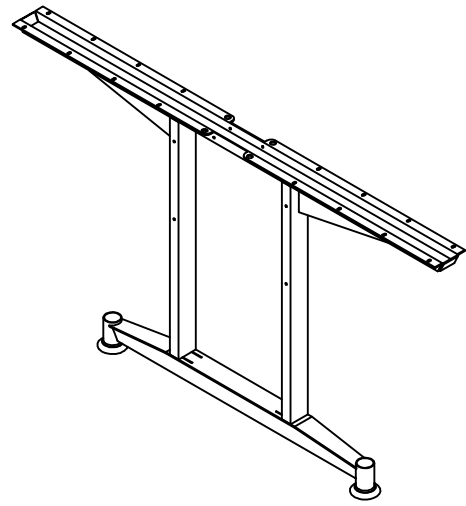
TA120TS

HARDWARE BAG (PART No. A8151) * for individual item, order that part number

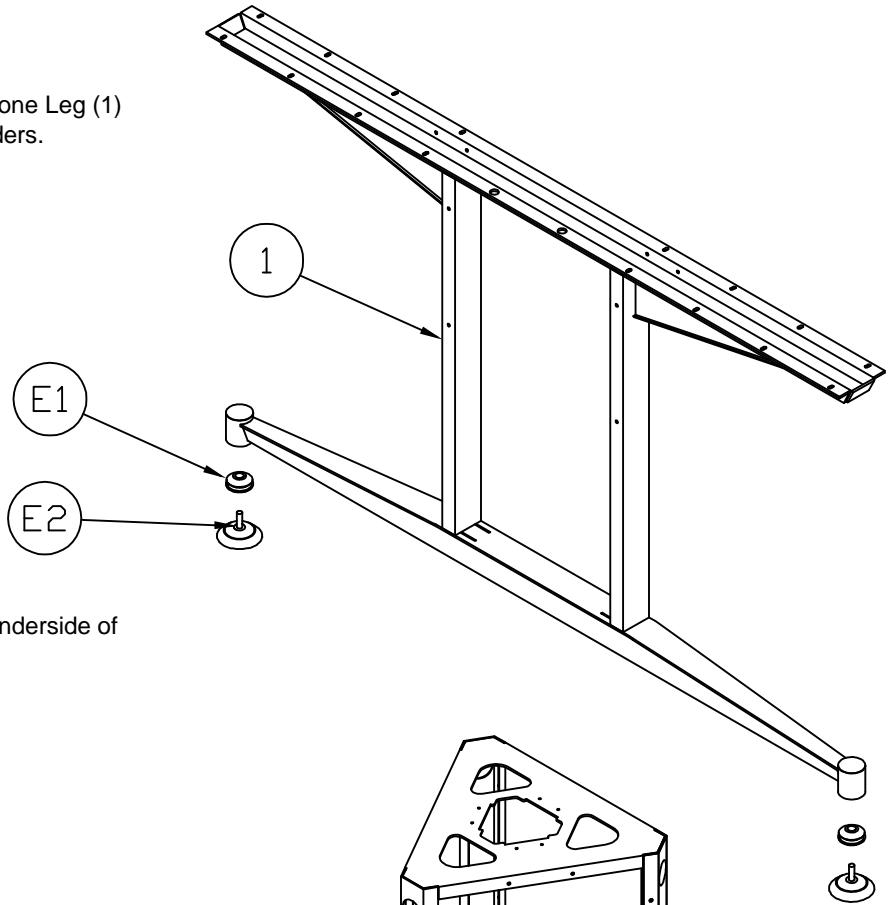
<u>Item #</u>	<u>QTY</u>	<u>DESCRIPTION</u>	<u>PART #</u>	
E12	8	ANGLE, MOUNTING	B8267*	
E13	17	SCREWS #10-32 x 1/2"	X204*	
E14	10	DOWEL PIN. PLASTIC	F783*	
E15	10	2" X 2" SPACER	E544*	

NOTE:

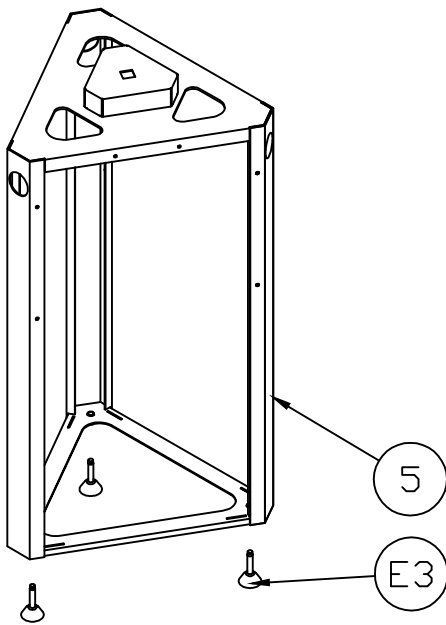
If the desired configuration utilizes one or more adders, substitute Adder Legs (TADAL**) where desired.



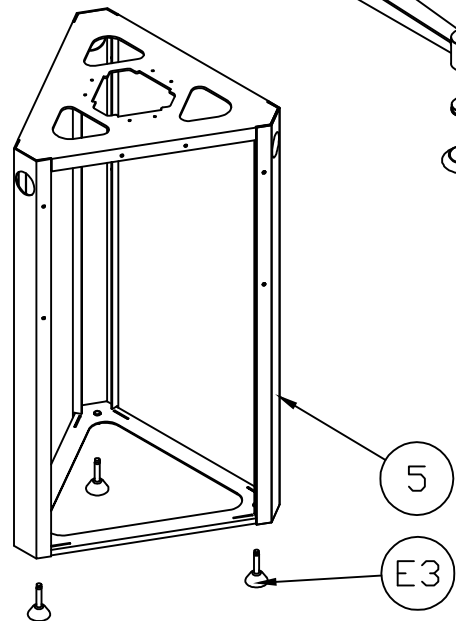
1. Install tube inserts (E1) into legs (1).
NOTE: Substitute Adder Leg (TADAL**) for one Leg (1) when final configuration utilizes multiple adders.
2. Screw glide (E2) into inserts.



3. Screw glides (E3) into nuts on the underside of center connector (5).



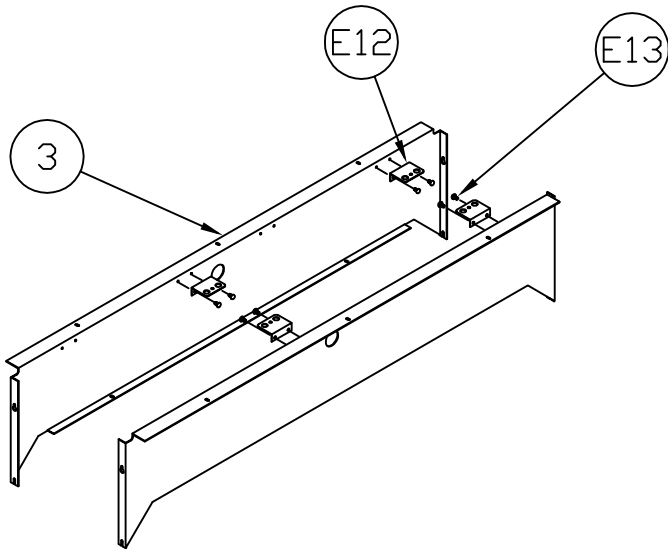
Corner Connector for table
"without" Power Pole



Corner Connector for table
"with" Power Pole

NOTE:

If using a power pole, install power pole to corner connector (5) at this time and position as desired. Use instruction sheet and hardware included with Power Pole product.

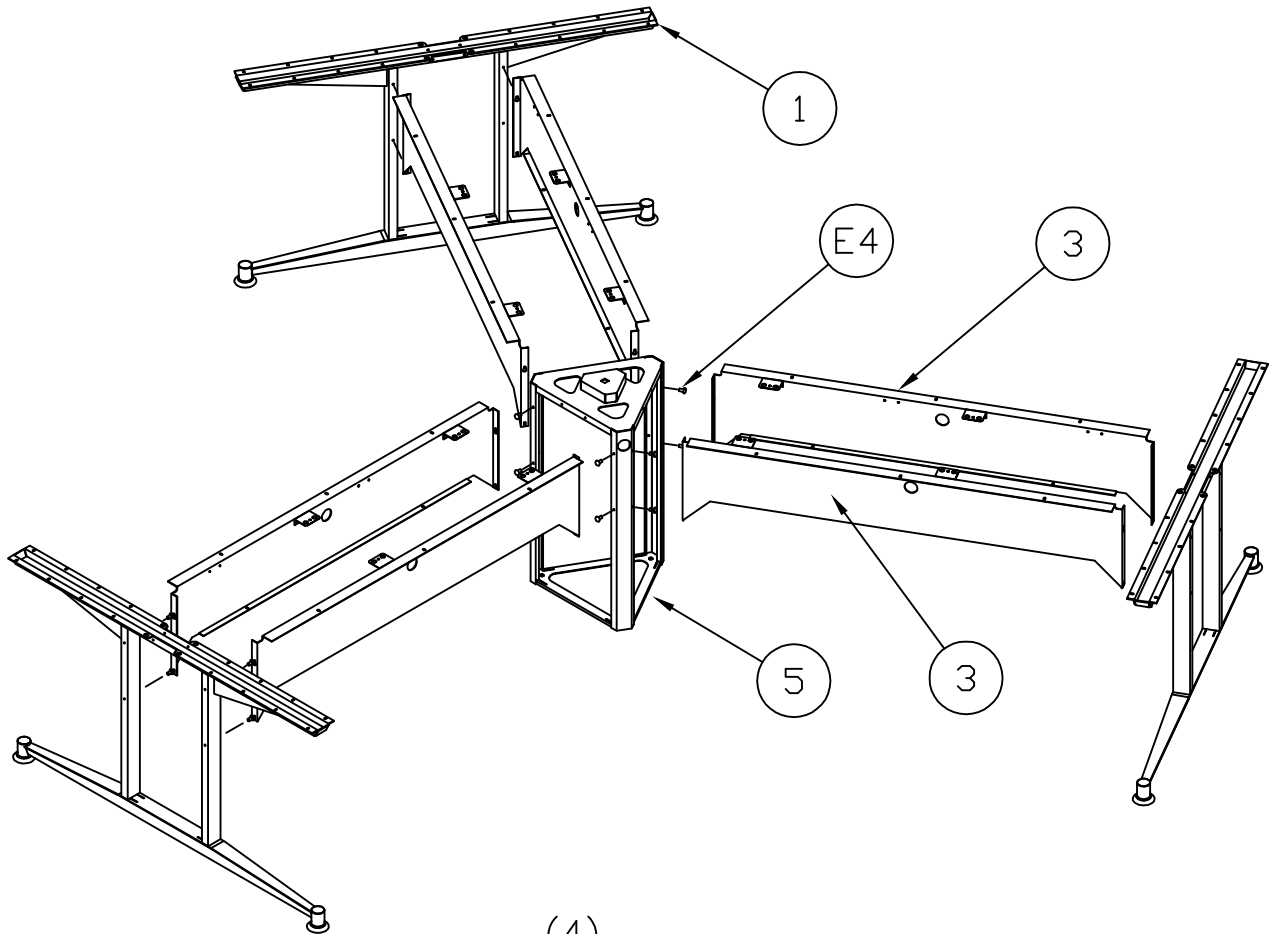
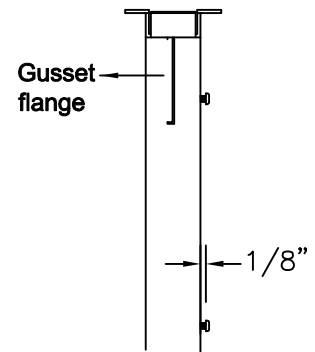


NOTE: If installing a table without access panels (7 & 8), proceed to Step 5.

4. Attach mounting angles (E12) to trough side (3) using screws (E13) in locations shown.

5. Install screws (E4) to the inside of leg (the side opposite gusset flange) and to the vertical members of the corner connector (5), leaving approximately 1/8" between screw head and leg /corner connector members.

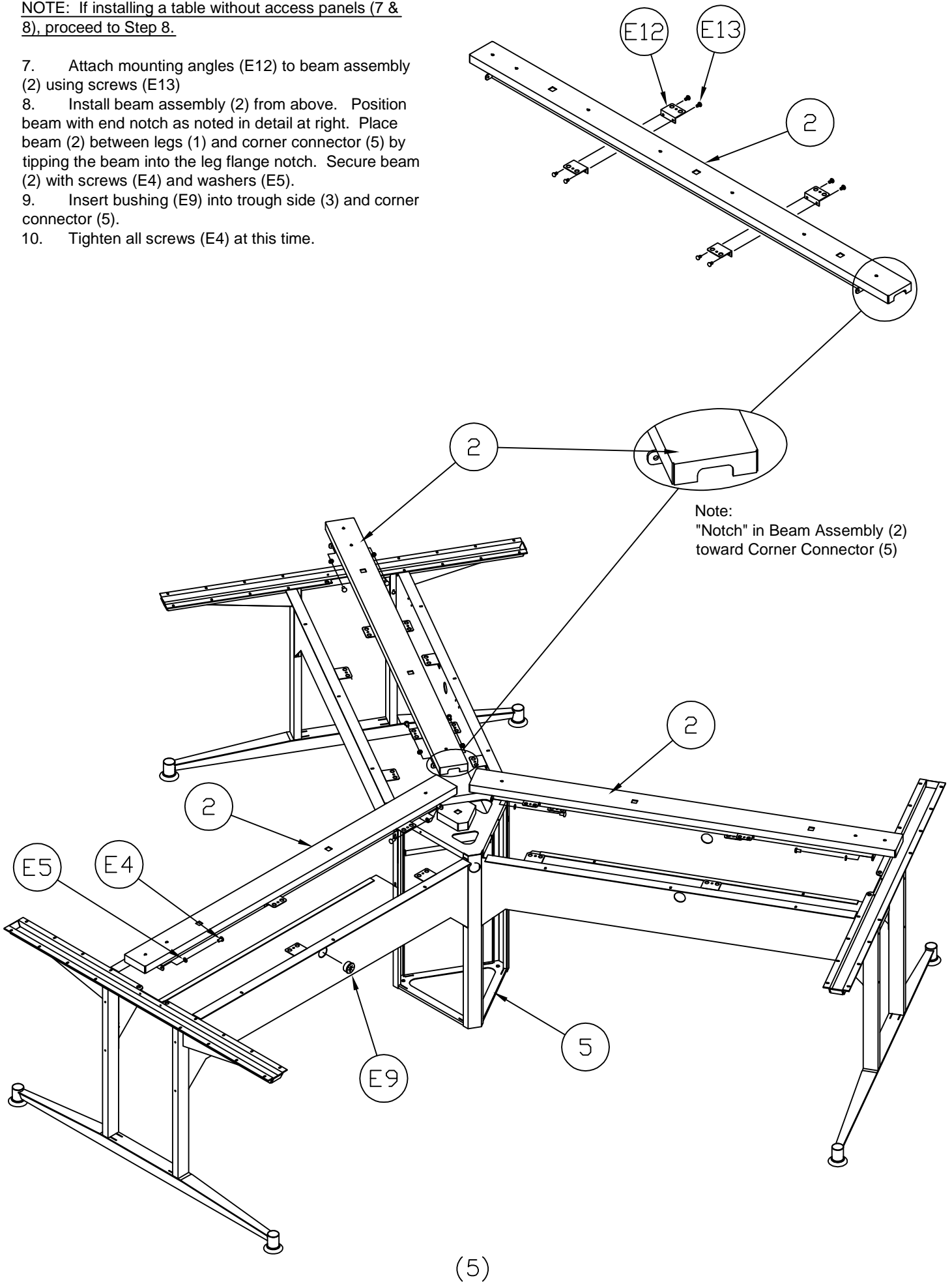
6. Using slots in trough sides (3), hook trough sides onto screw heads on legs and corner connector. **DO NOT TIGHTEN SCREWS.**



(4)

NOTE: If installing a table without access panels (7 & 8), proceed to Step 8.

7. Attach mounting angles (E12) to beam assembly (2) using screws (E13)
8. Install beam assembly (2) from above. Position beam with end notch as noted in detail at right. Place beam (2) between legs (1) and corner connector (5) by tipping the beam into the leg flange notch. Secure beam (2) with screws (E4) and washers (E5).
9. Insert bushing (E9) into trough side (3) and corner connector (5).
10. Tighten all screws (E4) at this time.



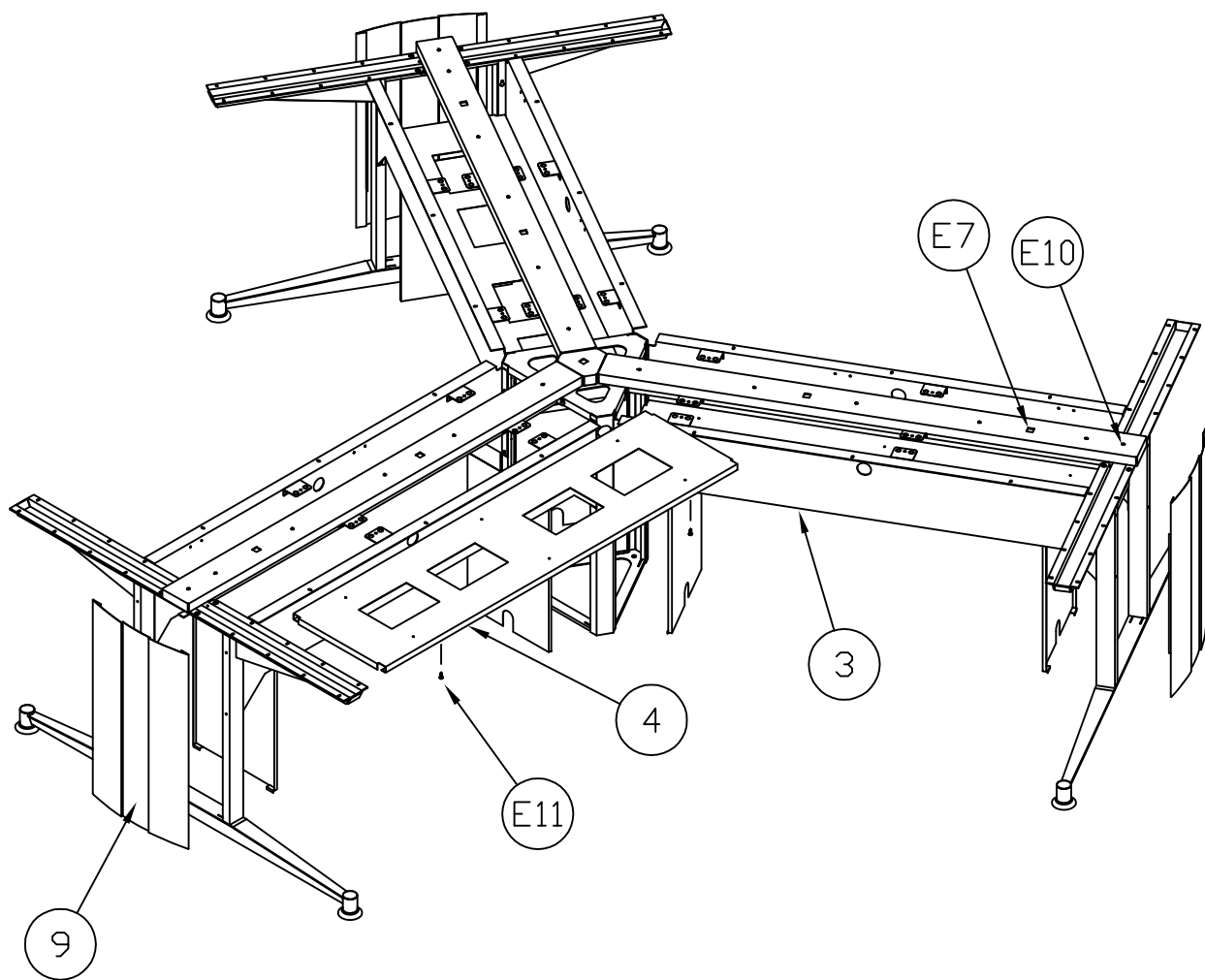
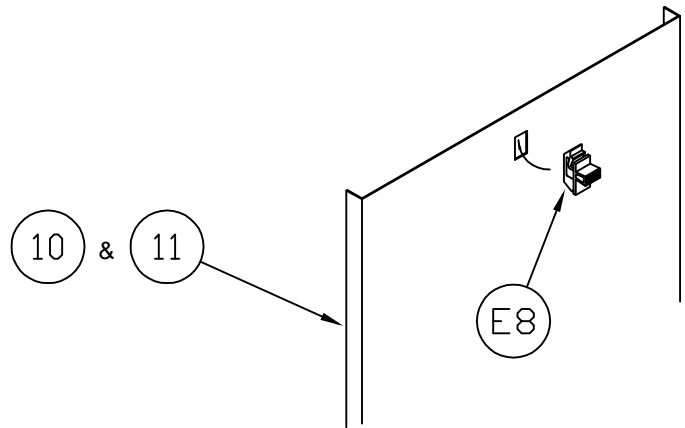
11 Lay pan (4) onto inside trough side flanges (3). Secure pan (4) to trough sides (3) using pine tree clips (E11).

12. Install slam latch (E8) into inner leg panel (10 & 11) as shown.

13. Insert tabs in the bottom of inner leg panel (10 or 11) into slots in leg (1) or corner connector (5). Rotate inner leg panel (10 or 11) up so that slam latch catches flange on pan (4).

14. Install outside leg panels (9) by aligning one flange with the inside edge of the tube and applying pressure to create a curve in the end panel that allows 2nd flange to slide inside edge of tube.

15. Insert square hole plugs (E7) and pine tree clips (E10) into holes in beam (2). NOTE: This step should be done after privacy panels or monitor posts are installed in the beam.



15. Insert dowels (E14) into holes in access panels (7 & 8) as shown below.
16. Lay access panels (7 & 8) onto table frame so that dowels engage holes in mounting angles.
17. Insert spacers (E15) between access panels and work surfaces as shown (2 per access panel).
18. Position work surfaces and secure with screws (E5). Remove spacers.

