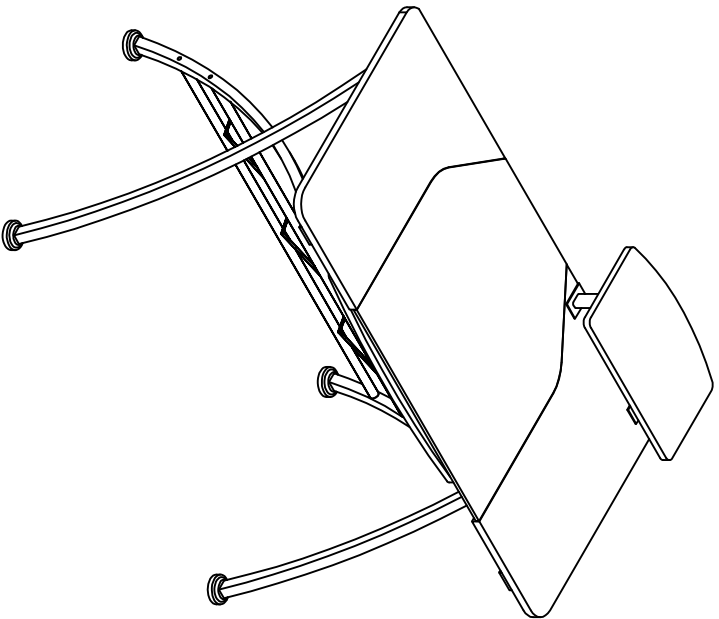


# PC Desk w/ Glass Top

Model No. 972



## ASSEMBLY INSTRUCTIONS







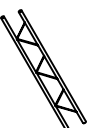




CALL 1-800-822-8037 FOR ASSISTANCE

# PARTS LIST

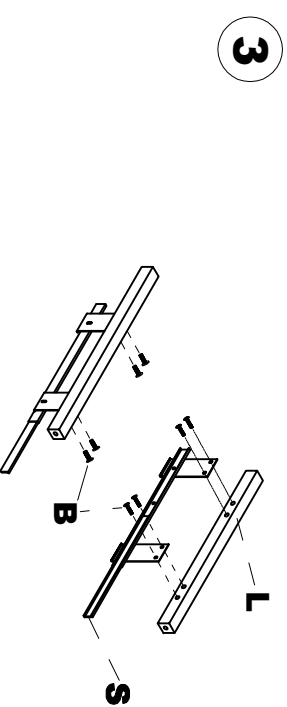
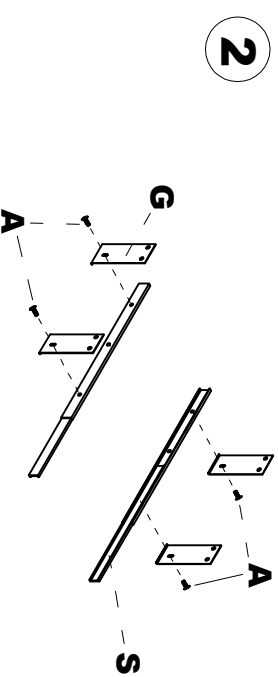
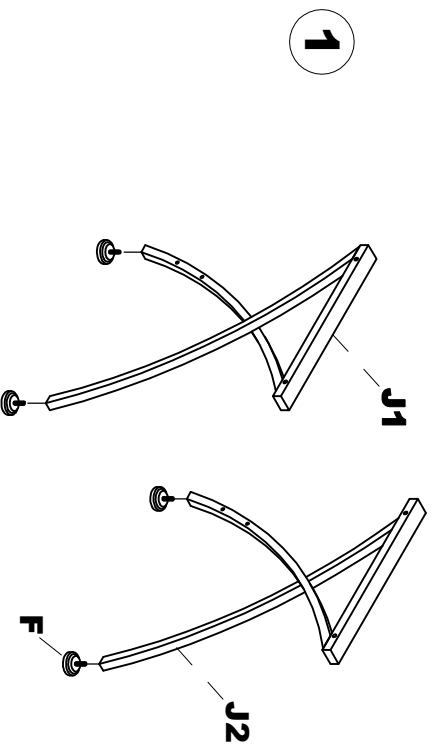
Name	Part	Qty.	Spare Qty.	Name	Part	Qty.	Spare Qty.
<b>A</b>	 Flat HD Machine Screw M4x41mm HB	4	1	<b>F</b>	 Leveler Ø35mm Dia HB	4	
<b>B</b>	 Flat HD Machine Screw M6x12mm HB	14	1	<b>G</b>	 Slide Mounting Plate 104x40x11mm HB	4	
<b>C</b>	 Flat HD Machine Screw M6x30mm HB	4		<b>H</b>	 Wood Screw Ø4x14mm HB	4	1
<b>D</b>	 Flat HD Machine Screw M6x35mm HB	14	1		Tools Required (Not Included)  #2 Phillips Screwdriver		
<b>E</b>	 Flat HD Machine Screw M6x70mm HB	4			 Replacement Hdw. Box <b>972HB</b>		

Items with HB are in the hardware box.

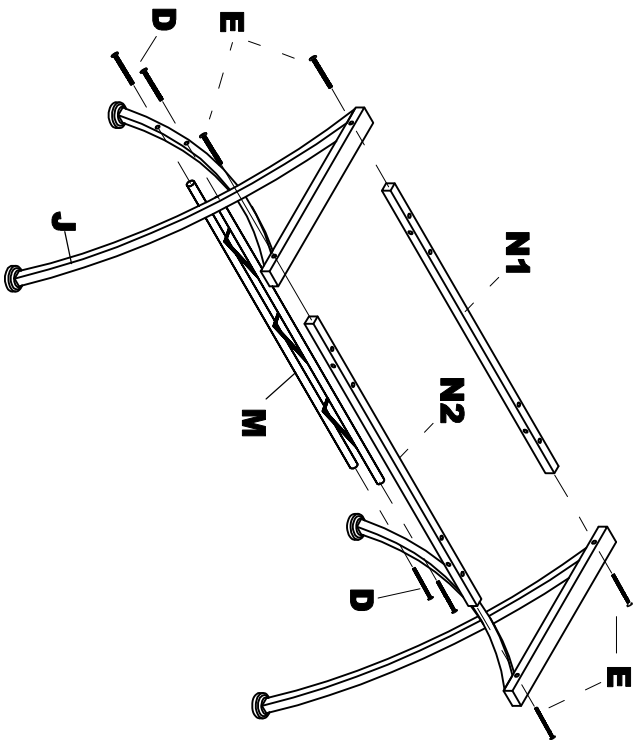
# PARTS LIST

Name	Part	Qty.	Name	Part	Qty.
<b>J</b>	 <b>972J</b> Leg	<b>2</b>	<b>P</b>	 <b>972P**</b> Top Panel-Right	<b>1</b>
<b>K</b>	 <b>972K**</b> Shelf	<b>1</b>	<b>Q</b>	 <b>972Q</b> Top Panel-Glass	<b>1</b>
<b>L</b>	 <b>972L</b> Support Bar	<b>2</b>	<b>R</b>	 <b>972R</b> Shelf Support	<b>2</b>
<b>M</b>	 <b>972M</b> Leg Brace	<b>1</b>	<b>S</b>	 <b>972S</b> Keyboard Slide-Pair <small>Left Right</small>	<b>1</b>
<b>N</b>	 <b>972N</b> Support Bar	<b>2</b>	<b>T</b>	 <b>972T**</b> Keyboard Tray	<b>1</b>
<b>O</b>	 <b>972O**</b> Top Panel-Left	<b>1</b>			

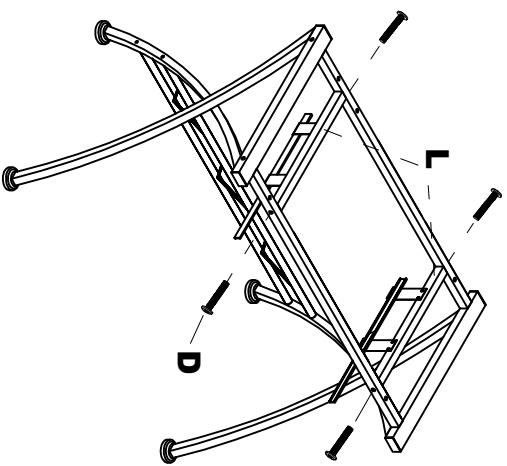
\*\*Denotes Color Code



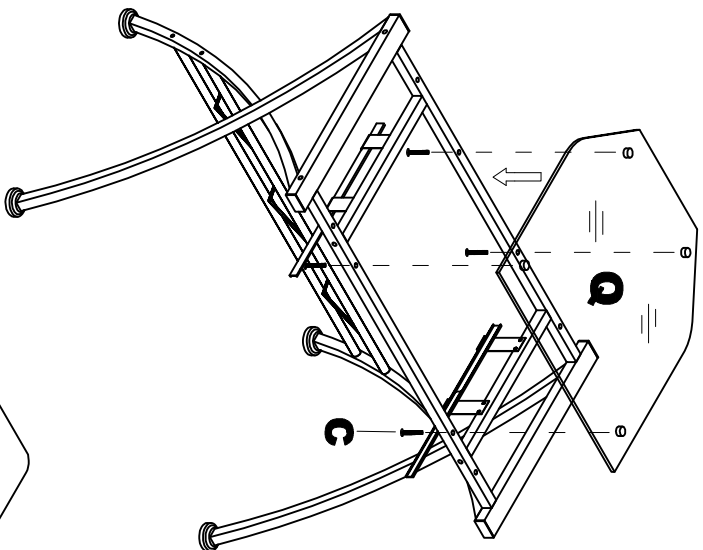
4



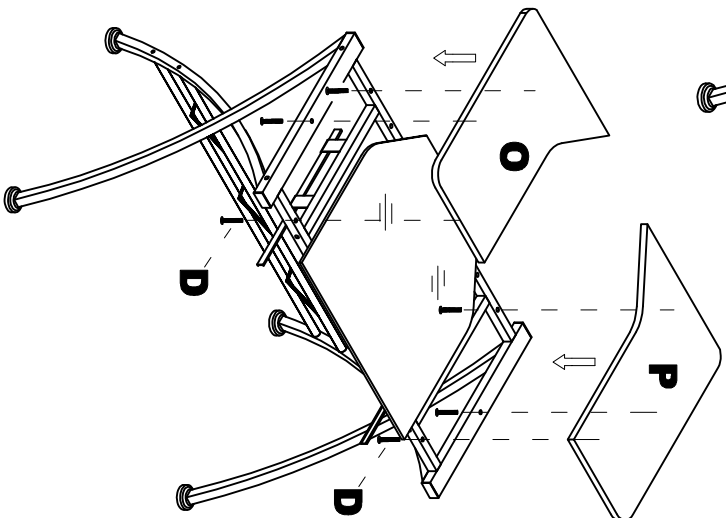
5



6



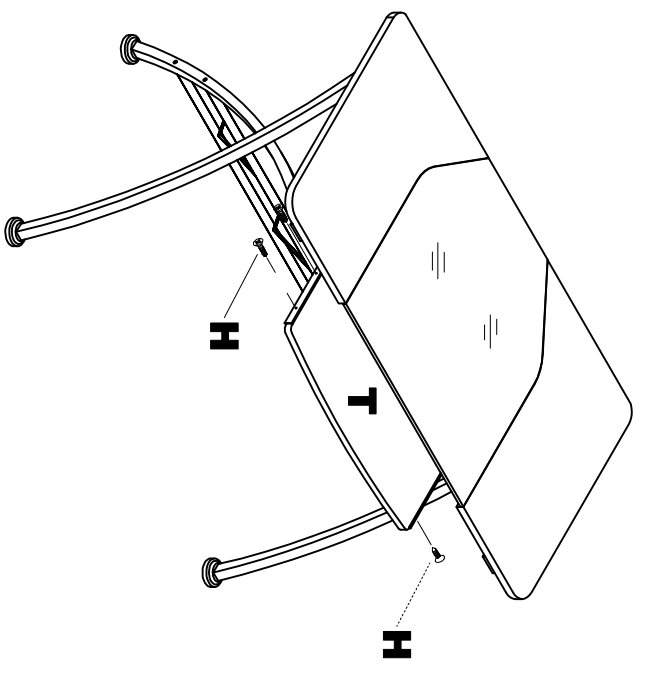
7



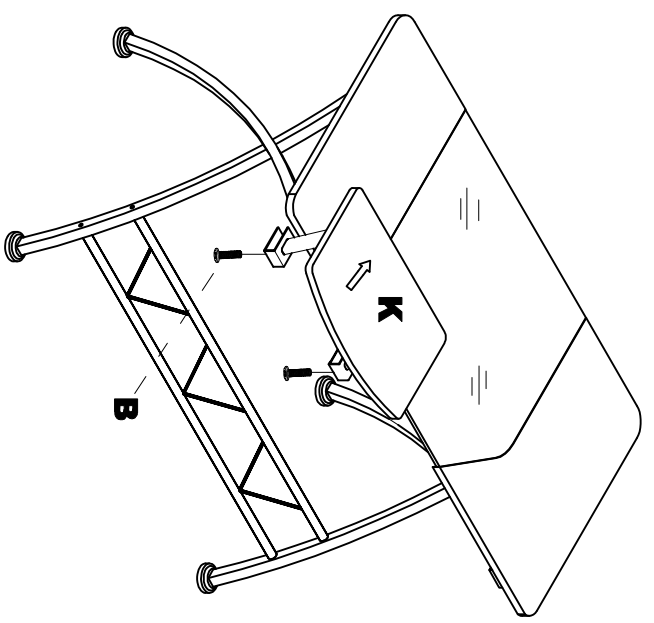
4

5

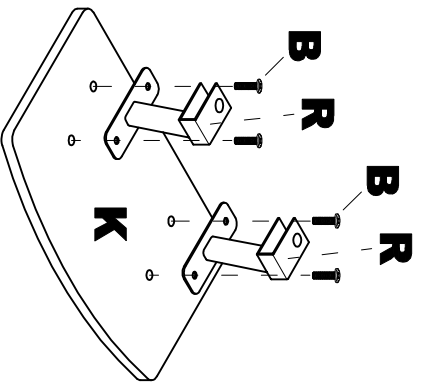
8



10



9



6

7