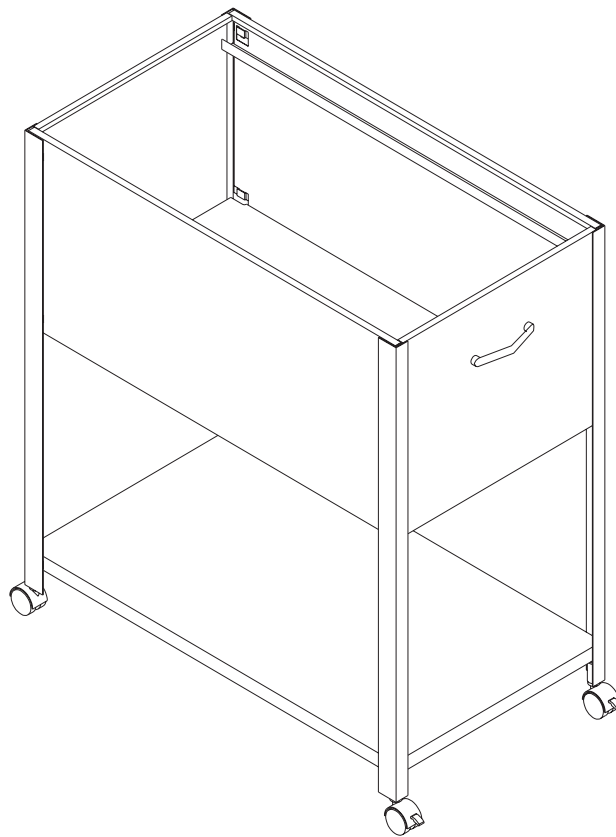




**Tiffany Industries™**  
A MAYLINE GROUP COMPANY

# Model No. 9P600

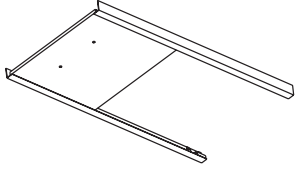
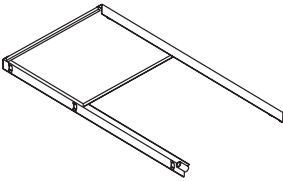
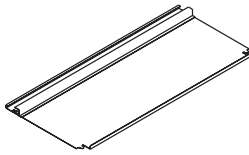


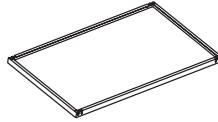
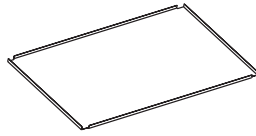




## MOBILIZER OPEN FILE LETTER



ASSEMBLY INSTRUCTIONS

CALL 1-800-822-8037 FOR ASSISTANCE

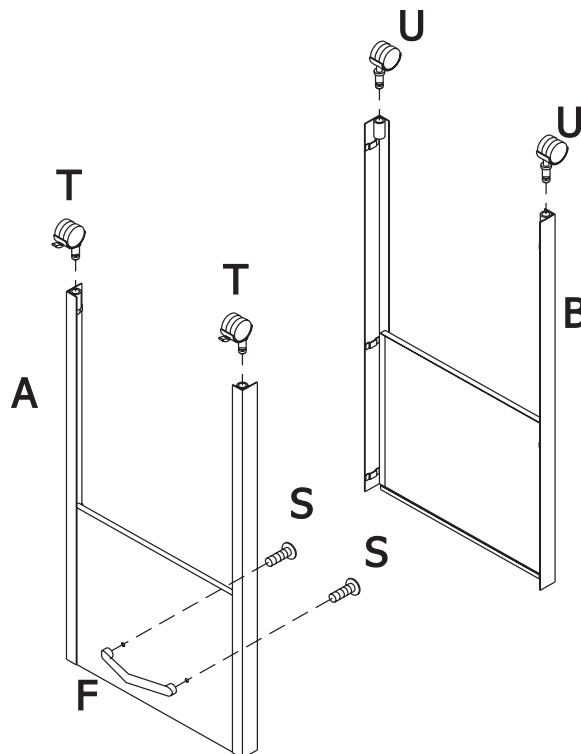
# PARTS LIST

Name	Part	Qty.
A		1
B		1
C		2

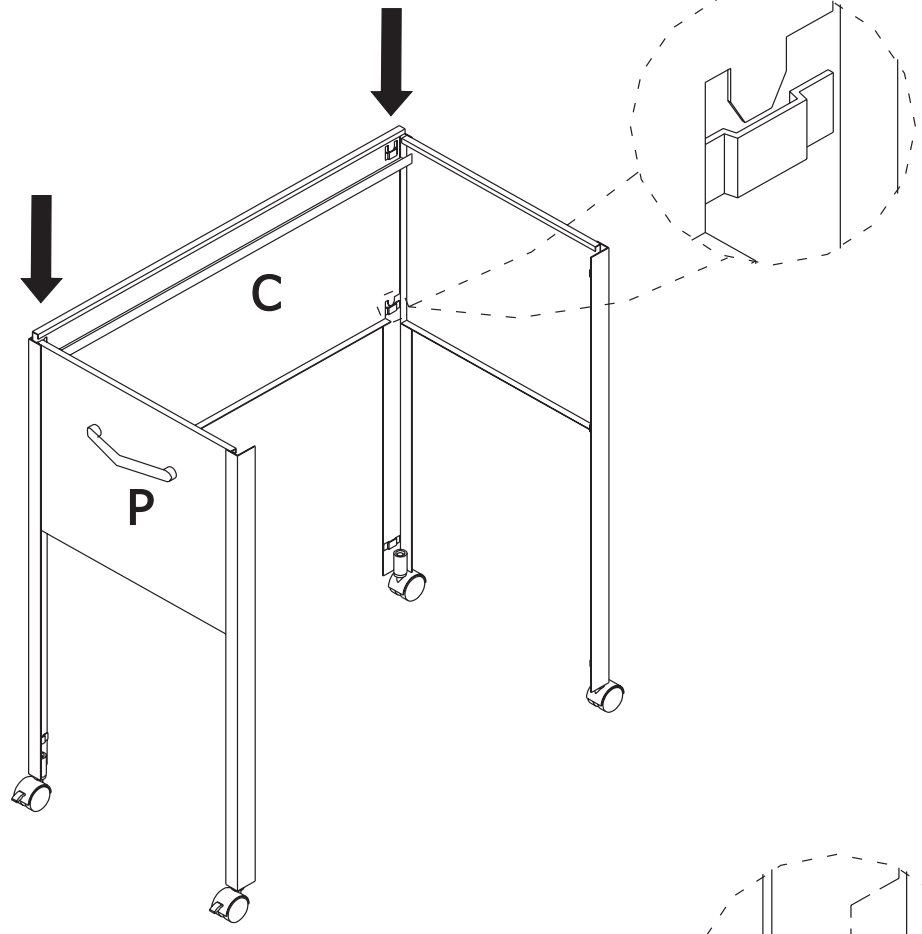
Name	Part	Qty.
D		1
E		1
P		1
T		2
U		2
S		3

	M4 5	
---	------	---

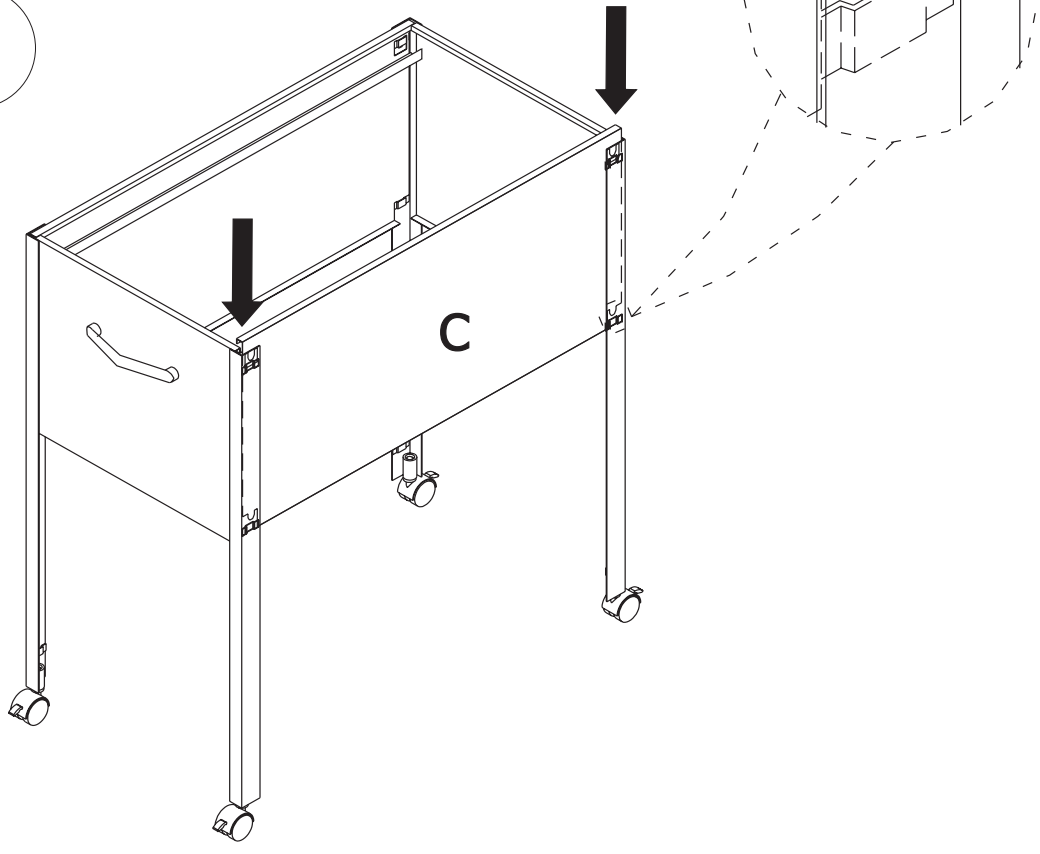
1



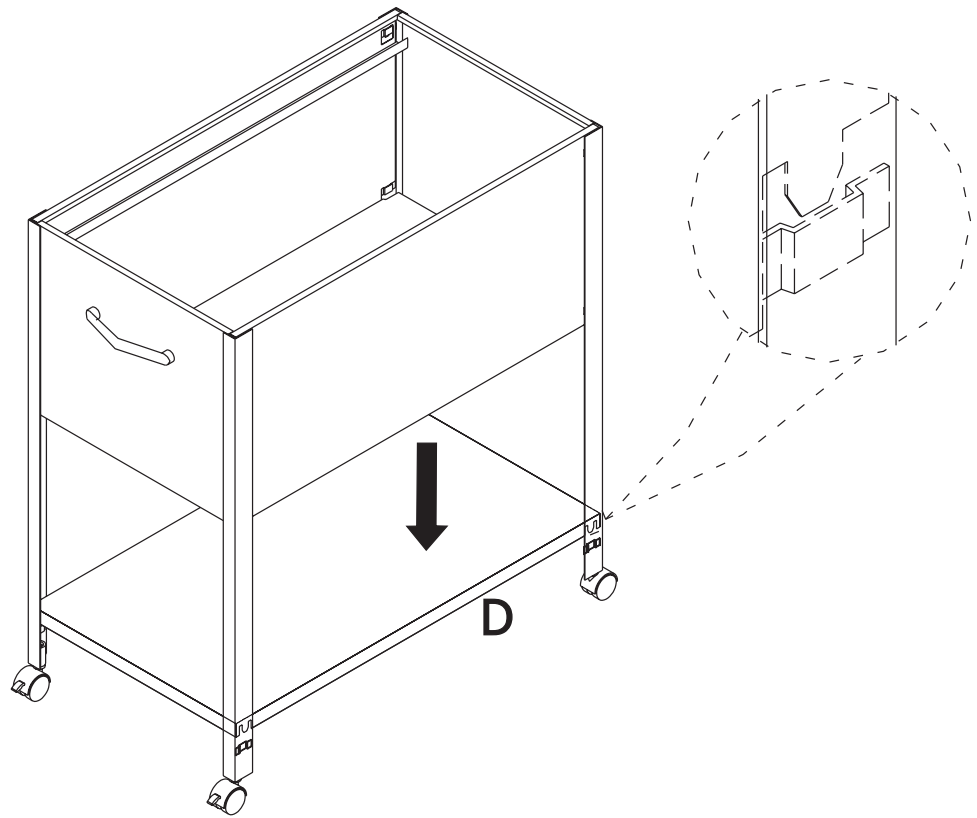
2



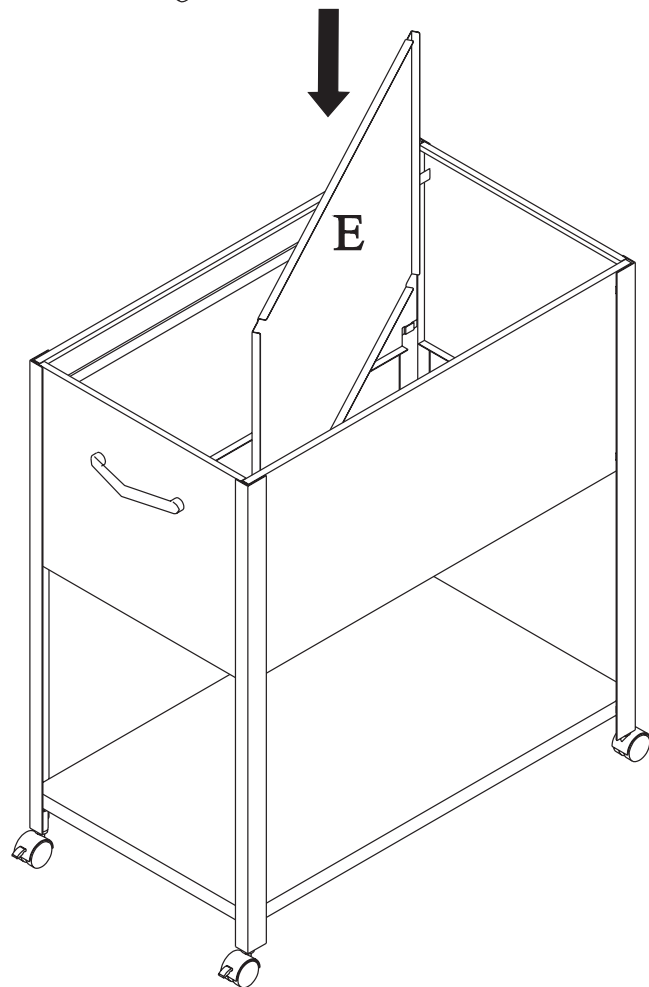
3



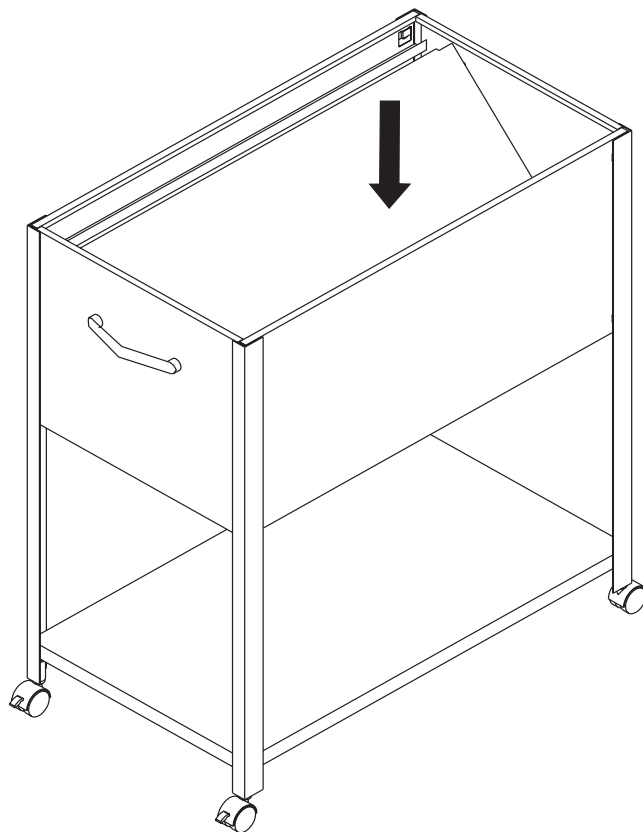
4



5



6



7

