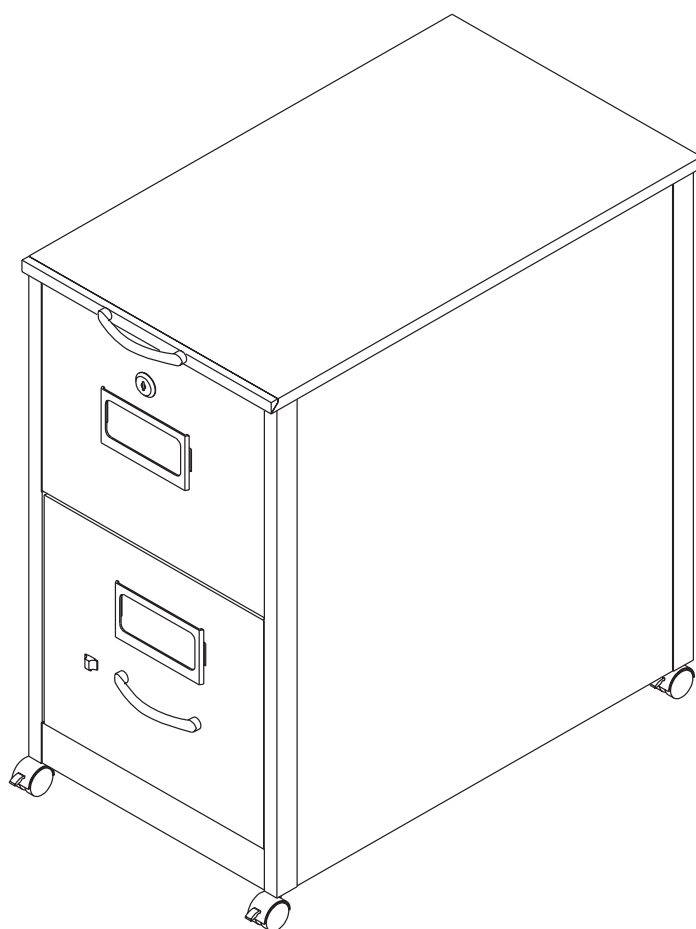




Tiffany Industries™
A MAYLINE GROUP COMPANY

Model No. 9P620&9P621

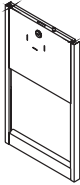


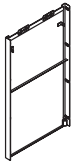

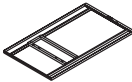
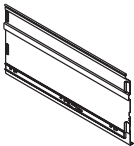
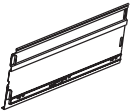
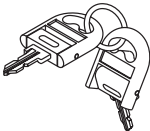



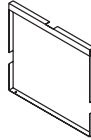
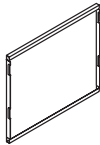
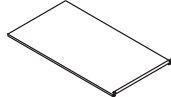











MOBILIZERW/LID ANDDRWRLETTER&LEGAL





ASSEMBLY INSTRUCTIONS

CALL 1-800-822-8037 FOR ASSISTANCE

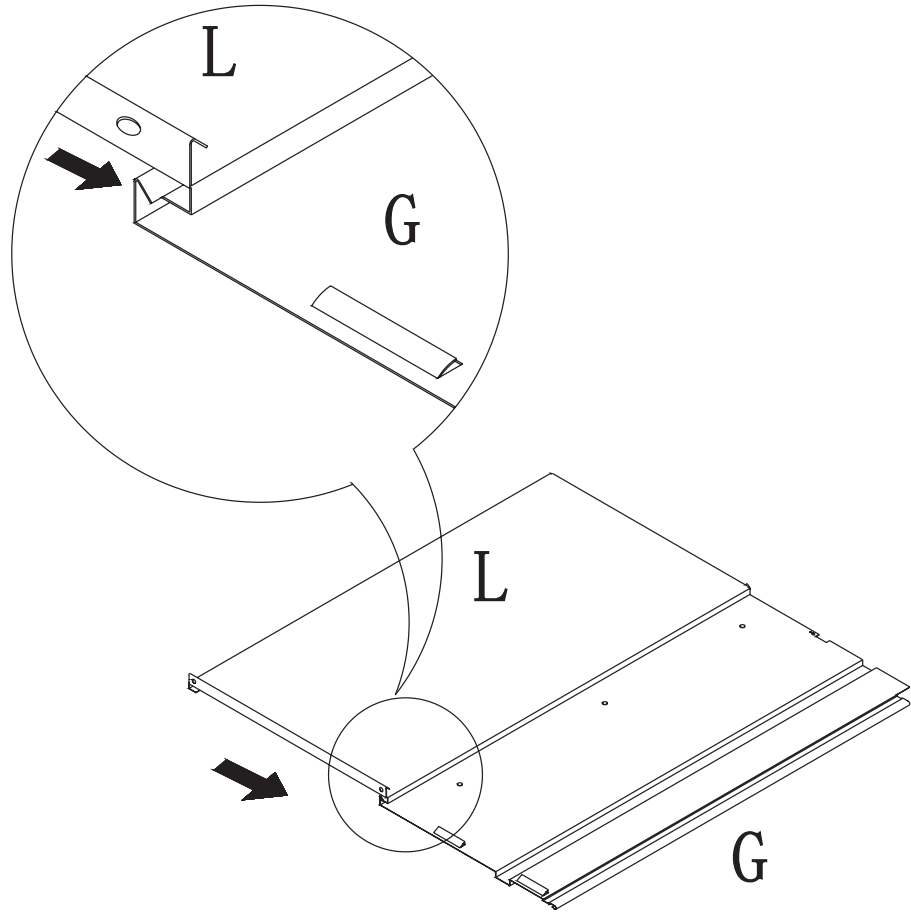
PARTS LIST

Name	Part	Qty.
A		1
B	 RIGHT	1
C	 LEFT	1
D		1
E		1
F		1
G	 LEFT	1
H	 RIGHT	1
Z		1

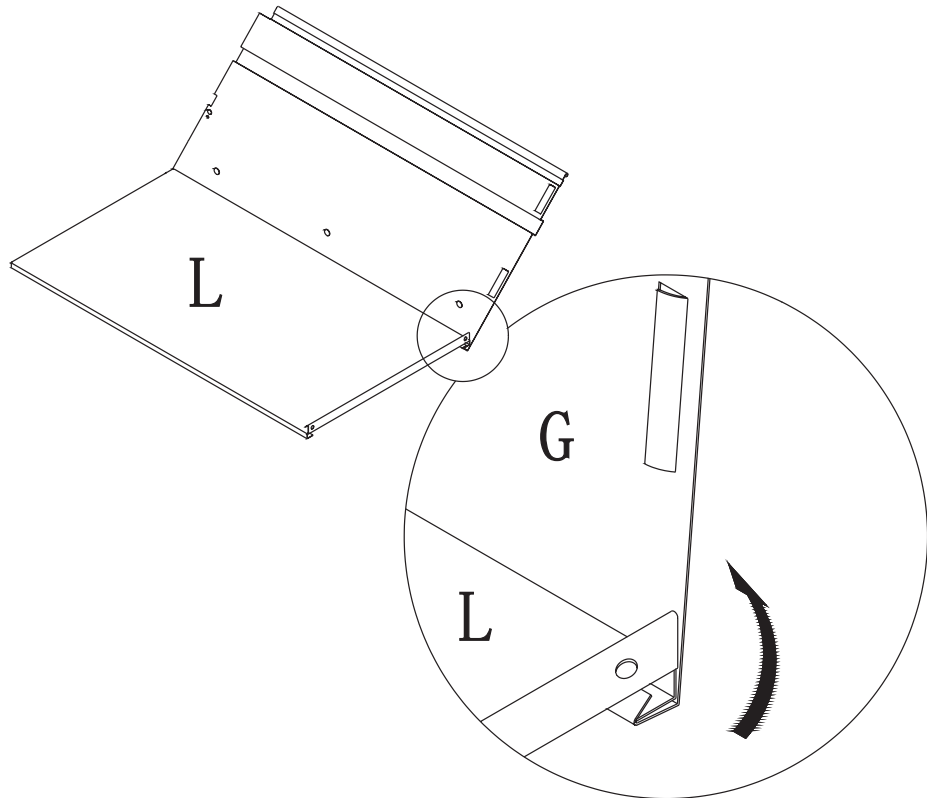
Name	Part	Qty.
I		1
J		1
K		1
L		1
L1		1
M		2
N		1
O		1
P		2
Q		1
R		11
S		5
T		2
U		2
V		1

	M4 5	
	3/16" 7	

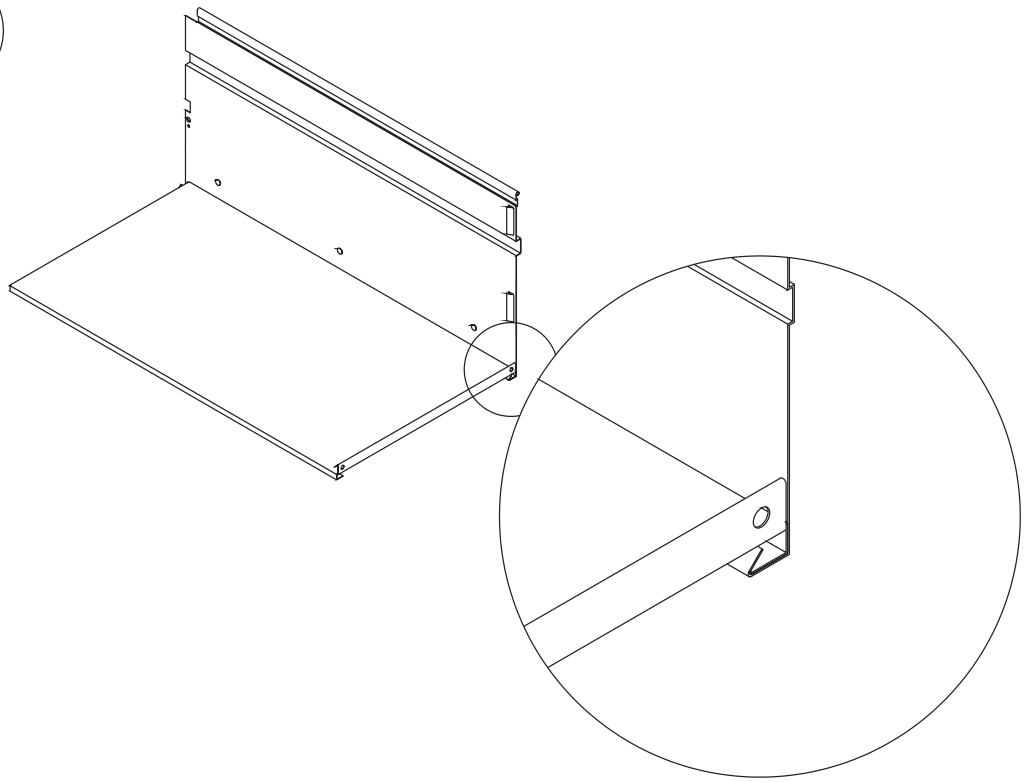
1



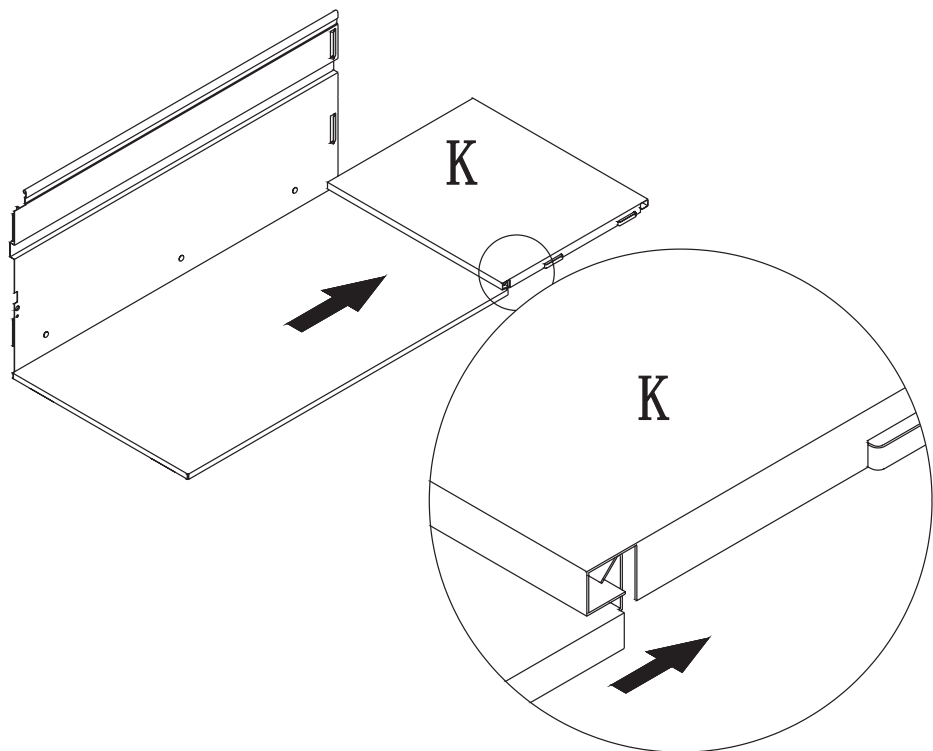
2



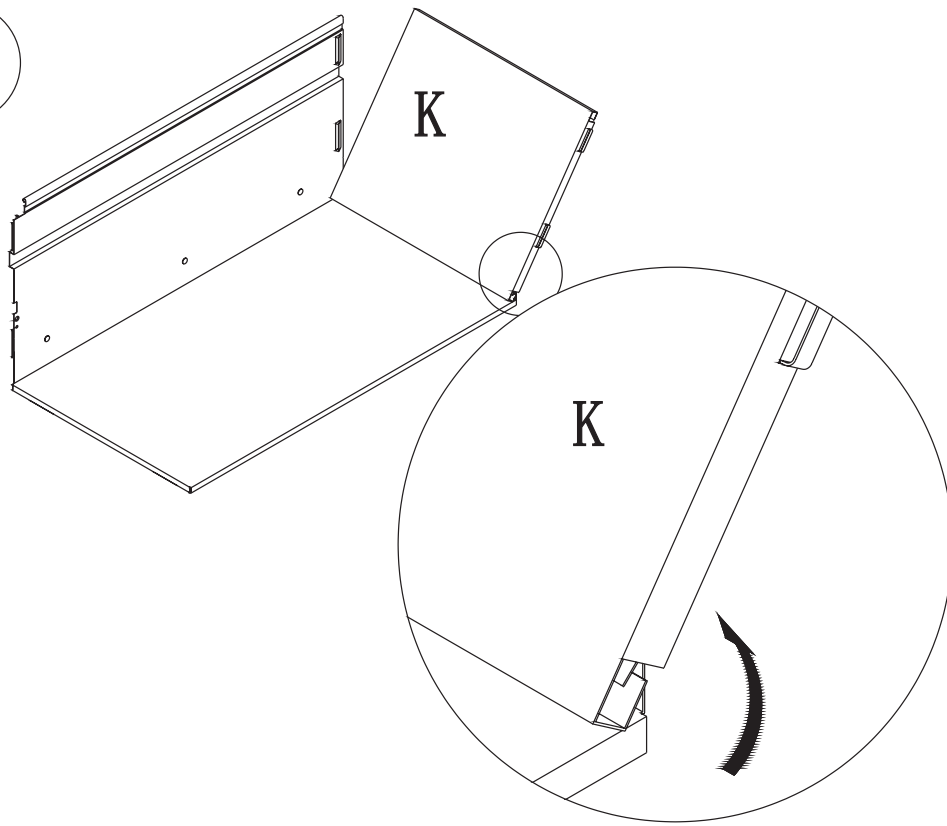
3



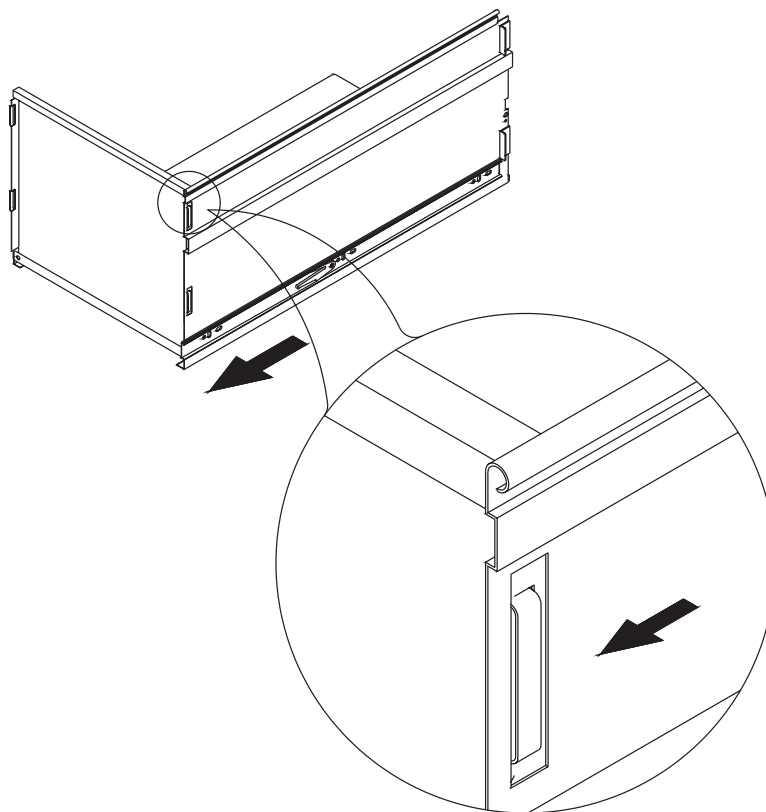
4



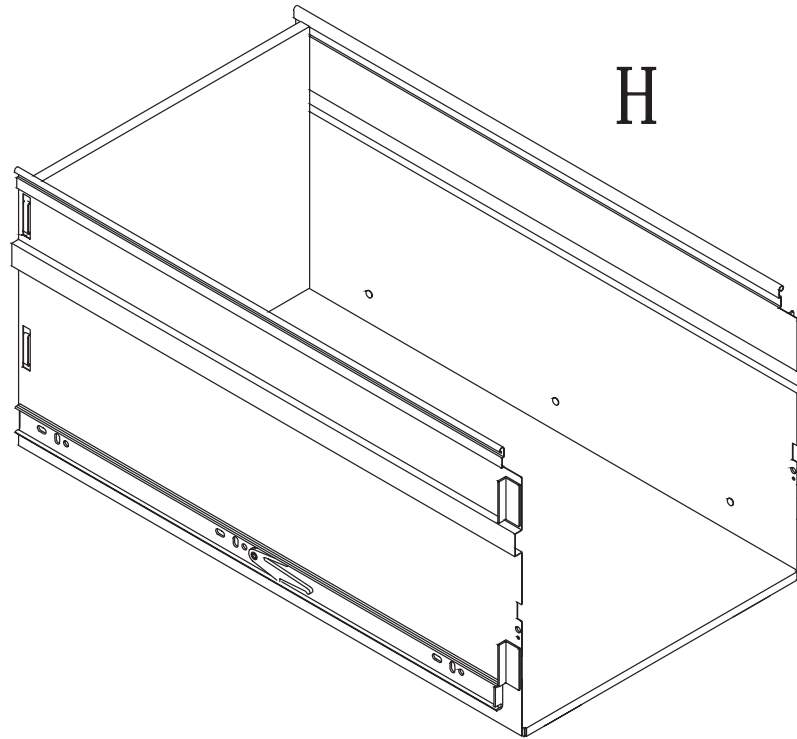
5



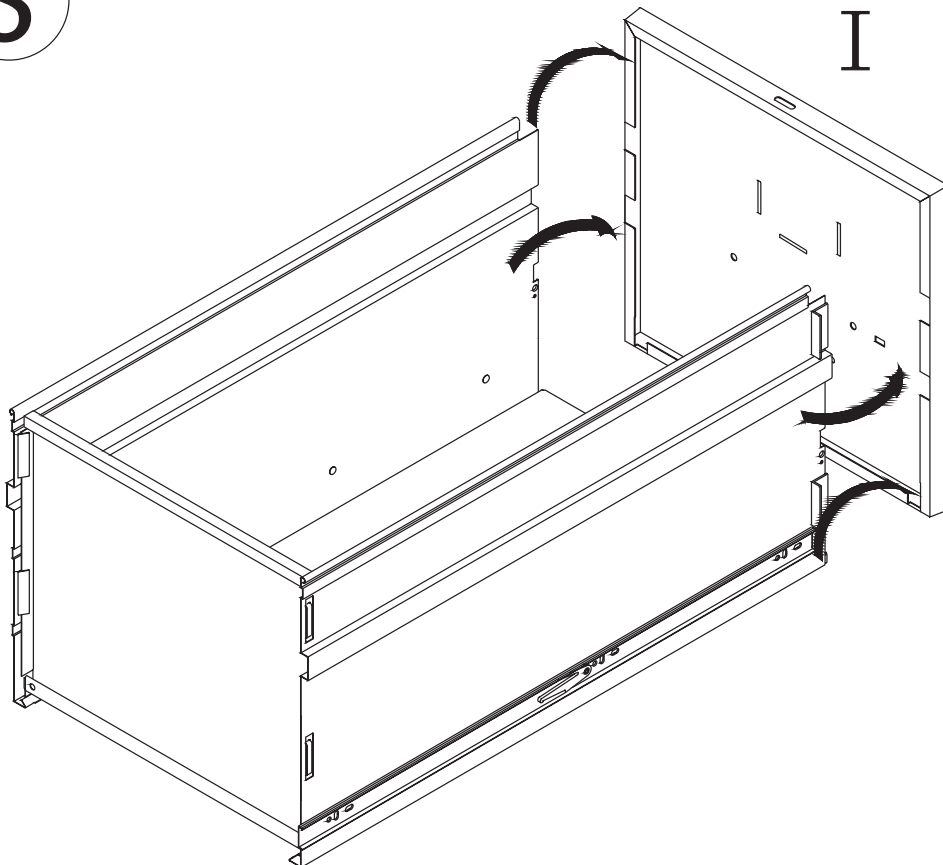
6



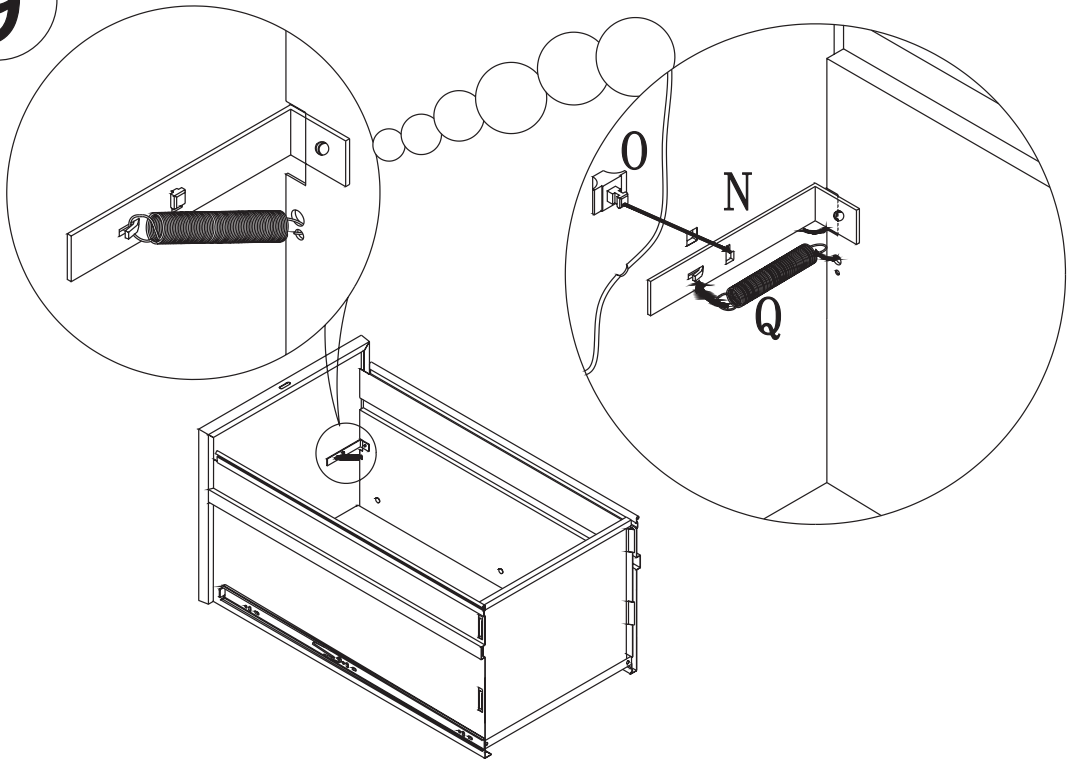
7



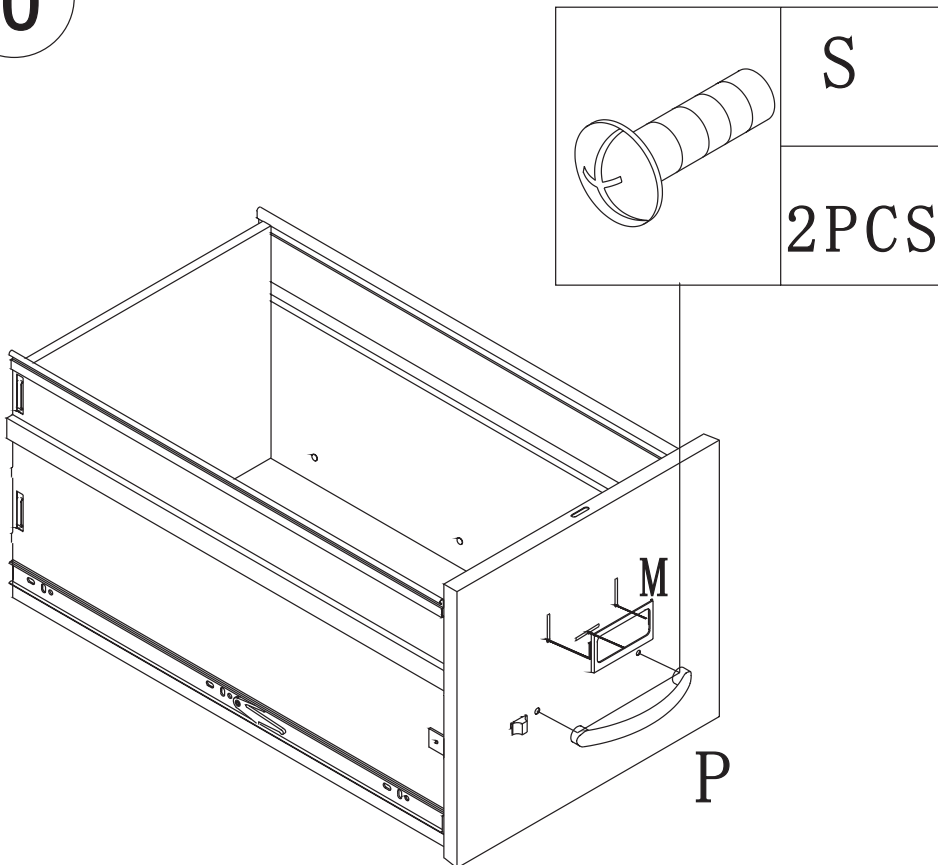
8



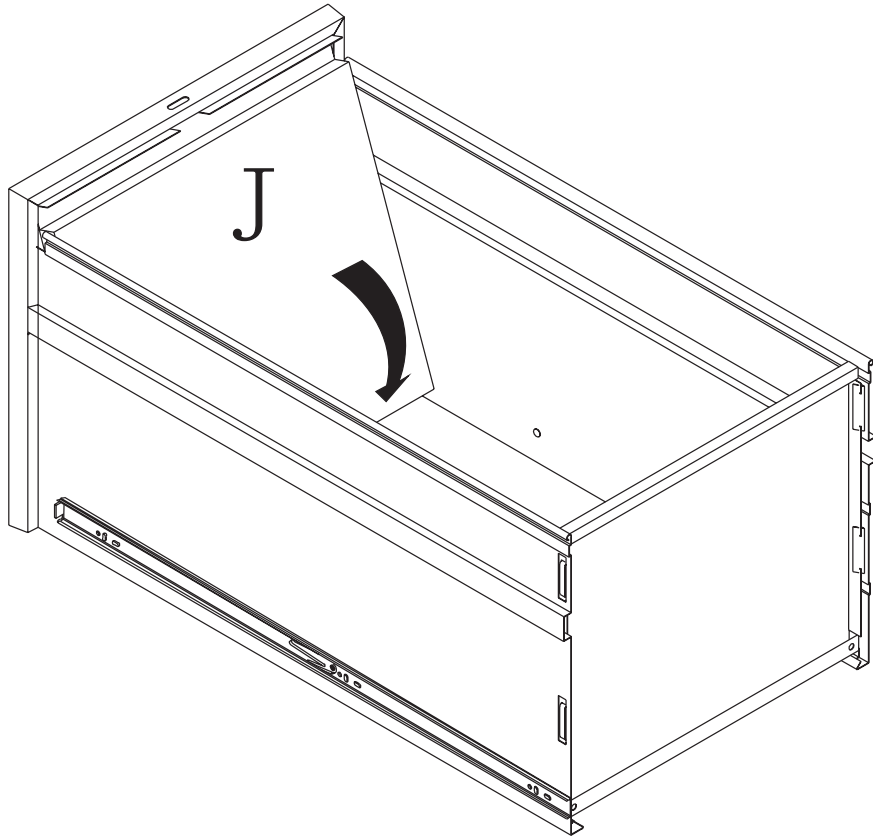
9



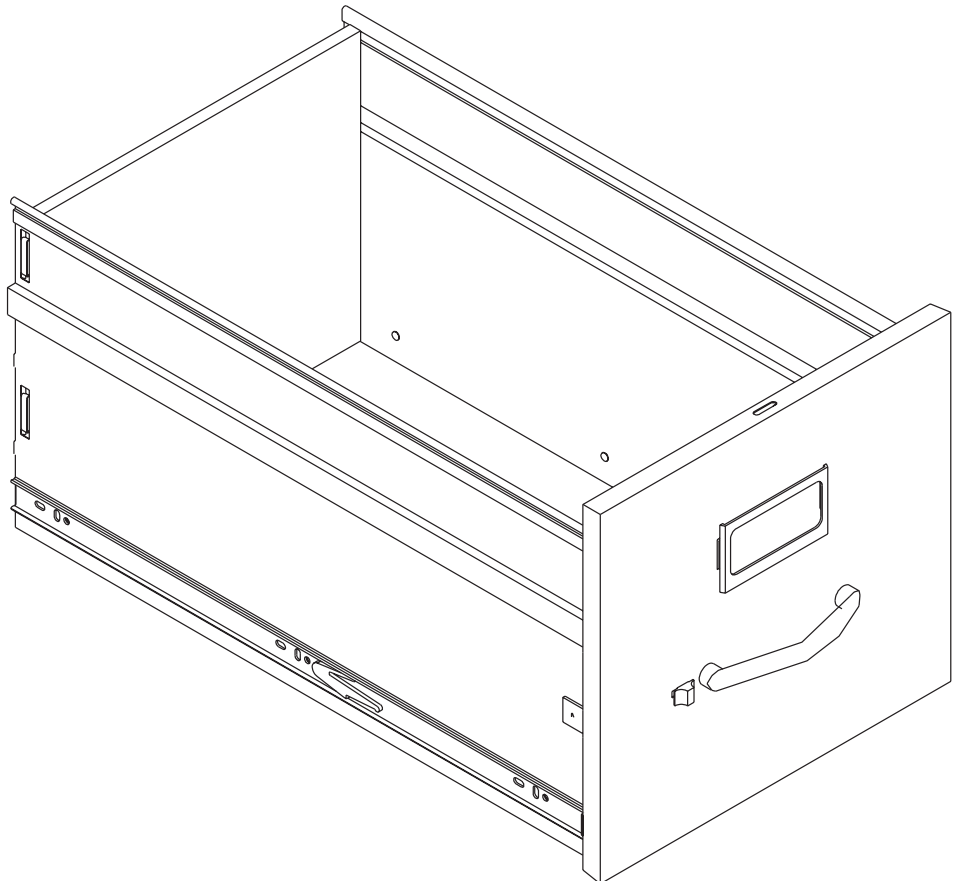
10



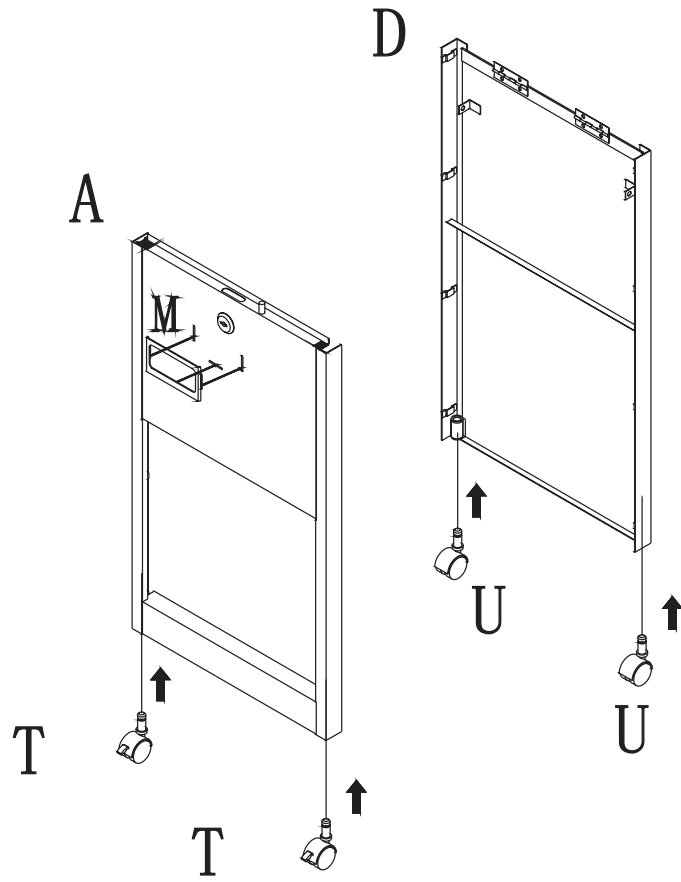
11



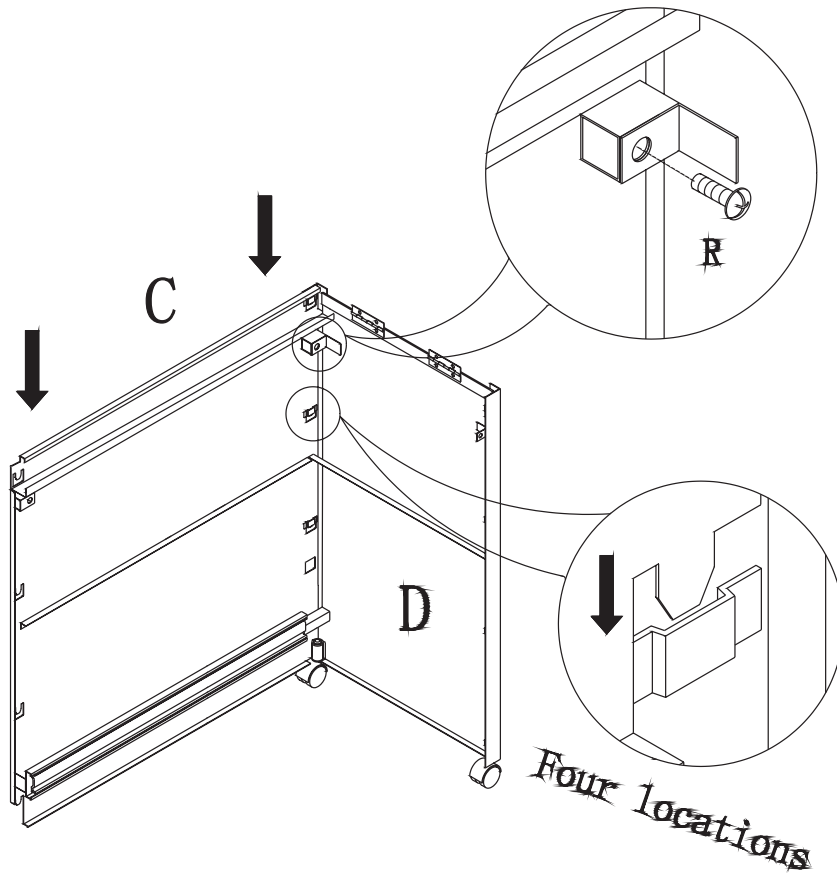
12



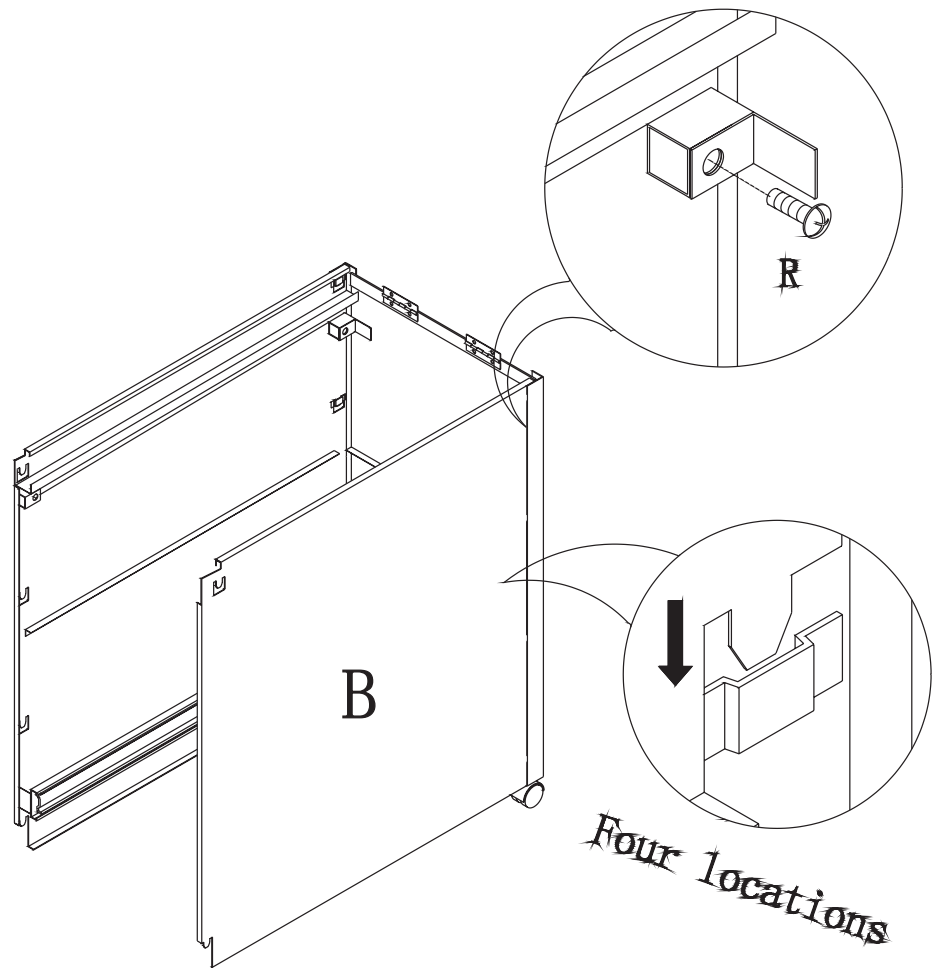
13



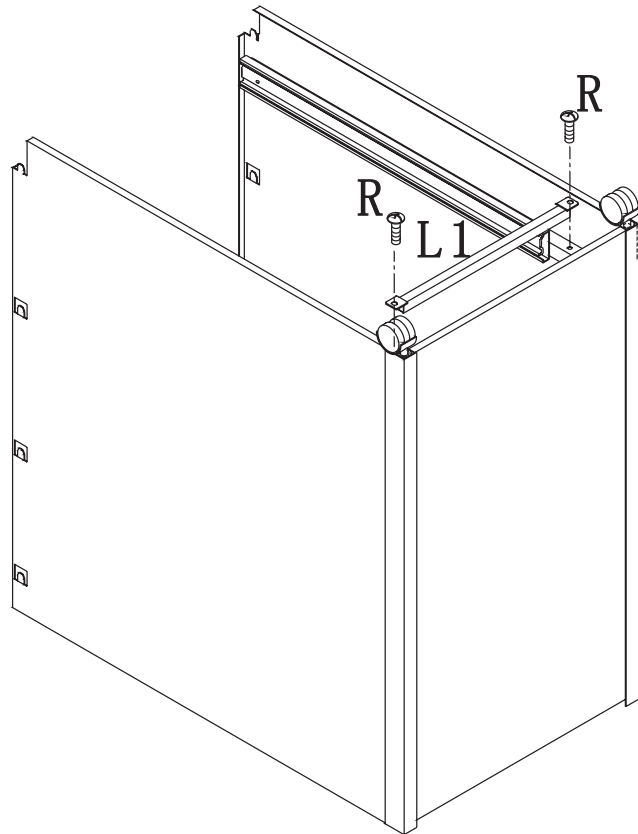
14



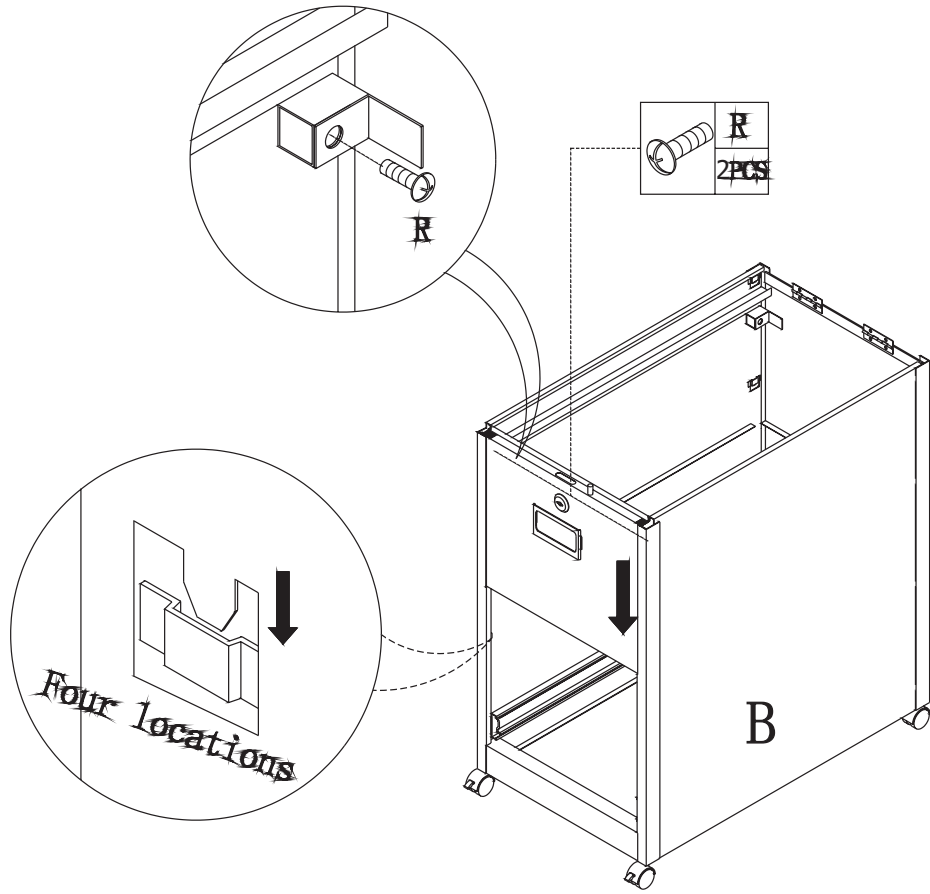
15



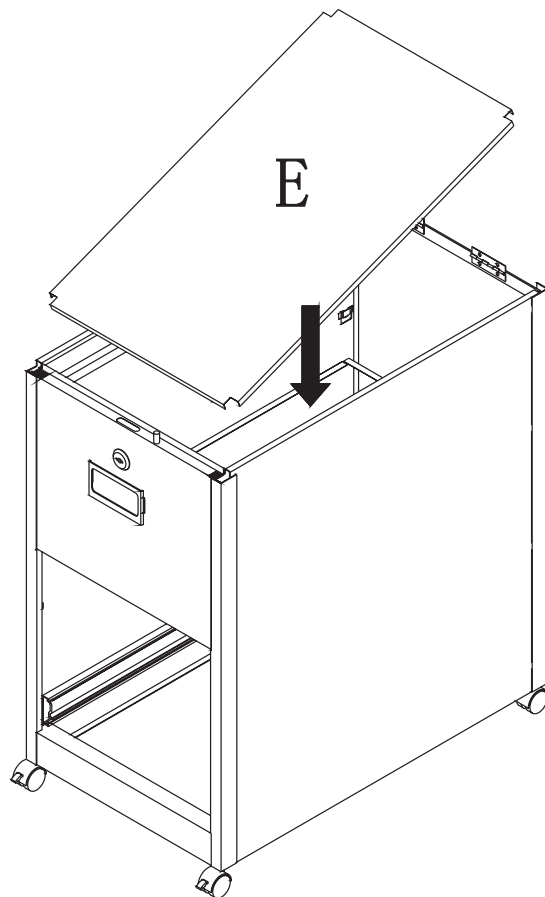
16



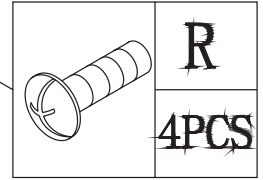
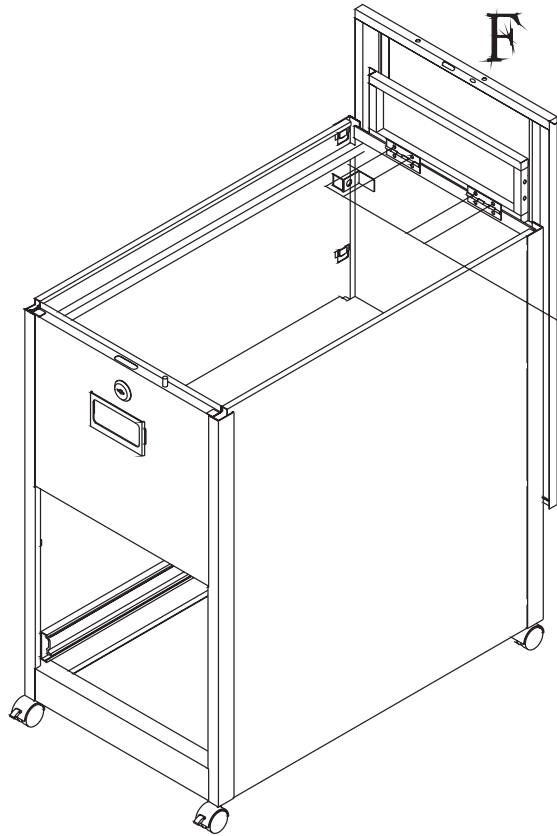
17



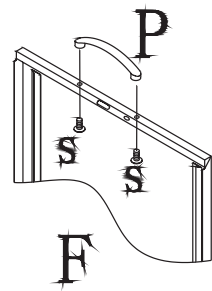
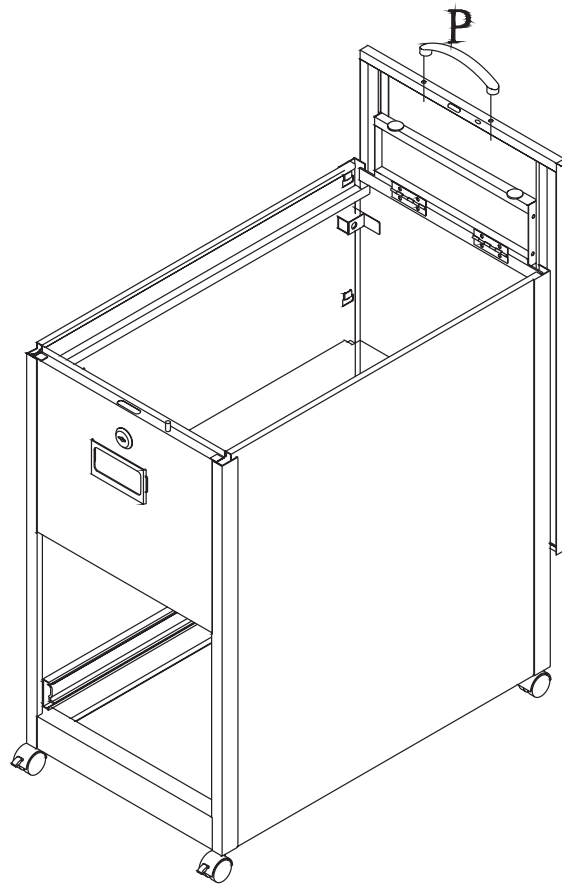
18



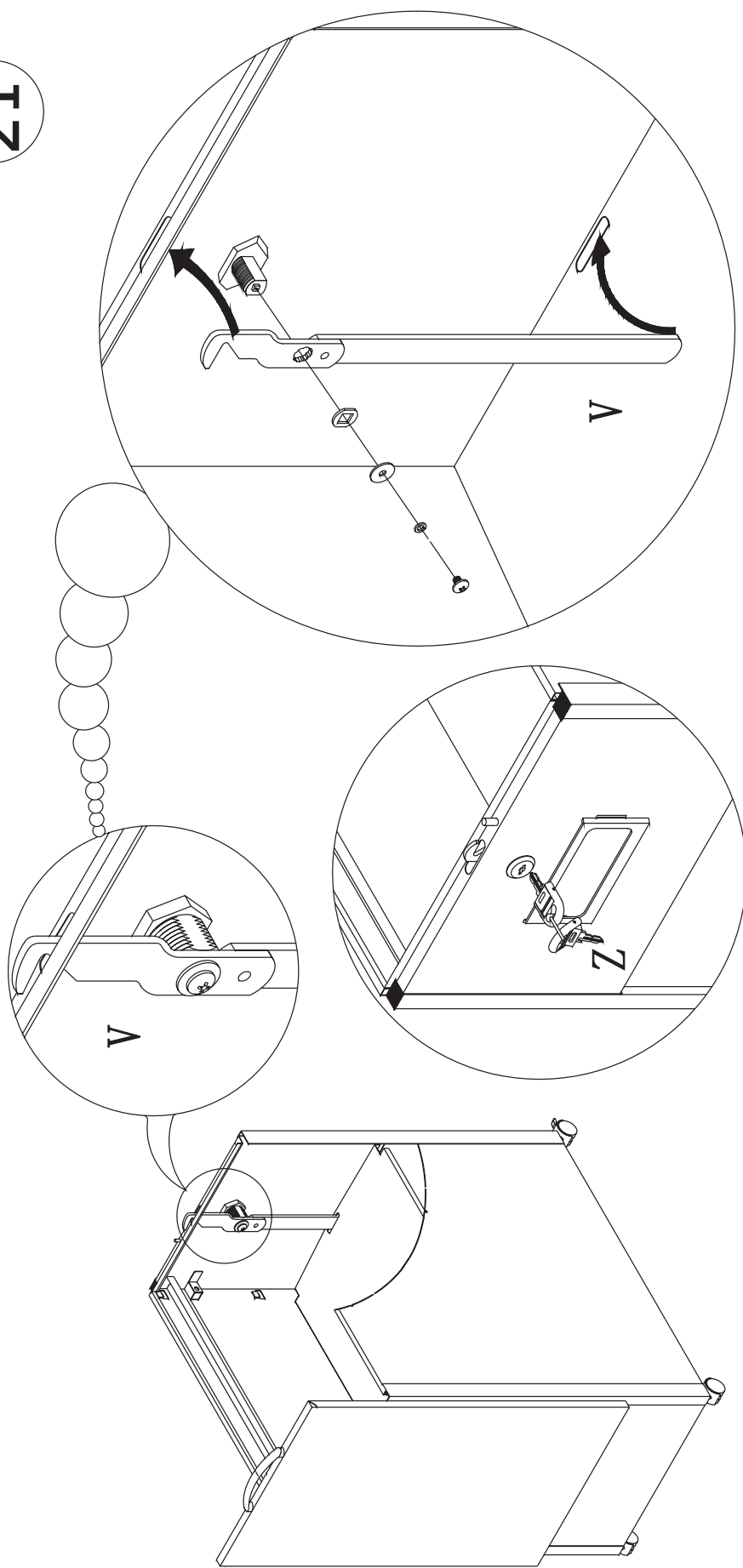
19



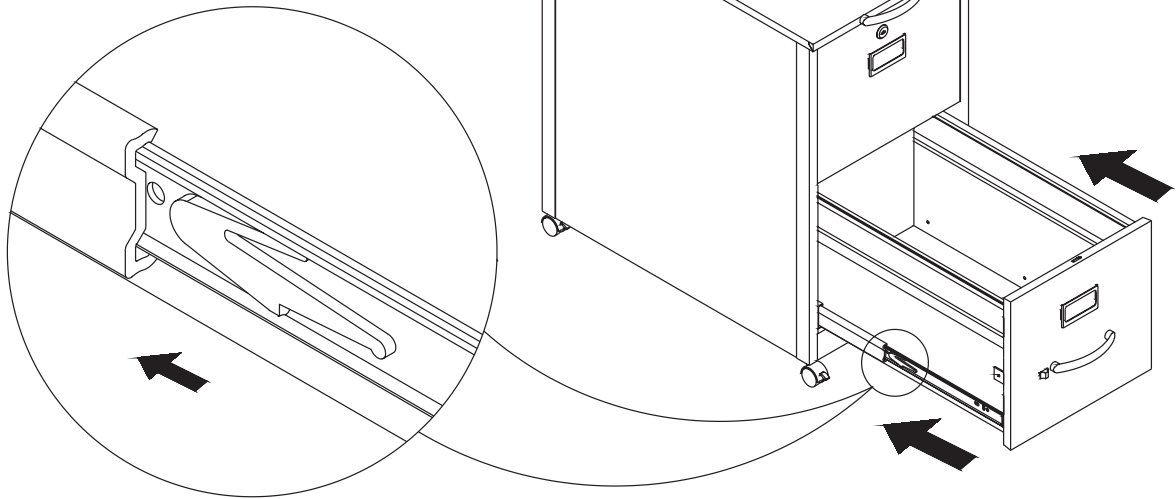
20



21



22



23

