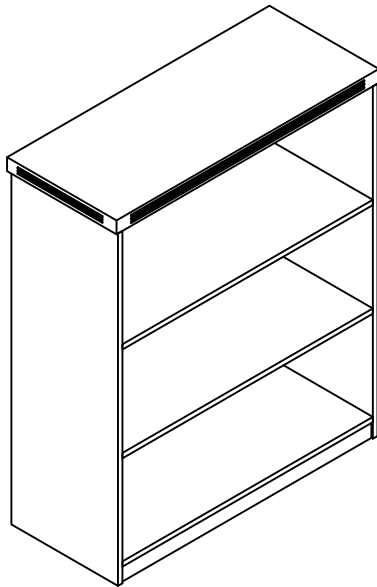


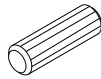
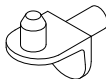
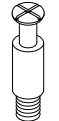
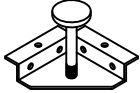

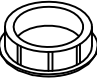





Aberdeen Series™
3 Shelf Bookcase
Model No. AB3S36



ASSEMBLY INSTRUCTIONS

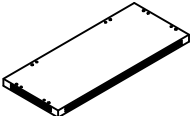
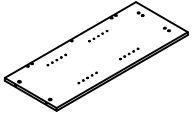
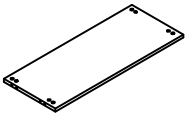
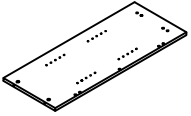
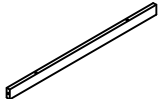
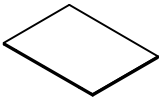
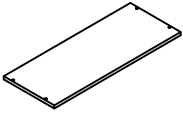
CALL 1-800-822-8037 FOR ASSISTANCE

PARTS LIST

| Name | Part | Qty. | Spare Qty | Name | Part | Qty. | Spare Qty |
|----------|--|-----------|-----------|-----------|--|-----------|-----------|
| A |  REALS004 Wood Dowel | 21 | 2 | F |  REALS009 Shelf Support Pin | 8 | 1 |
| B |  REALS003 Cam Post | 18 | 1 | G |  REALS008 Corner Bracket w/ Glide | 4 | |
| C |  REALS001 Cam Fastener | 18 | 1 | G1 |  REALS230** Cap | 4 | |
| D |  REALS102** Cam Sticker | 18 | 1 | H1 |  REALS005 Ø4 x 16mm | 24 | 2 |
| E |  REALS204 Foam Tape | 5 | | H2 |  REALS104 Grommet | 1 | |
| | | | | |  AB3S36HB | | |

Items with HB are in hardware box
*For Individual Items, Order By Part Number.
**Denotes Color Code

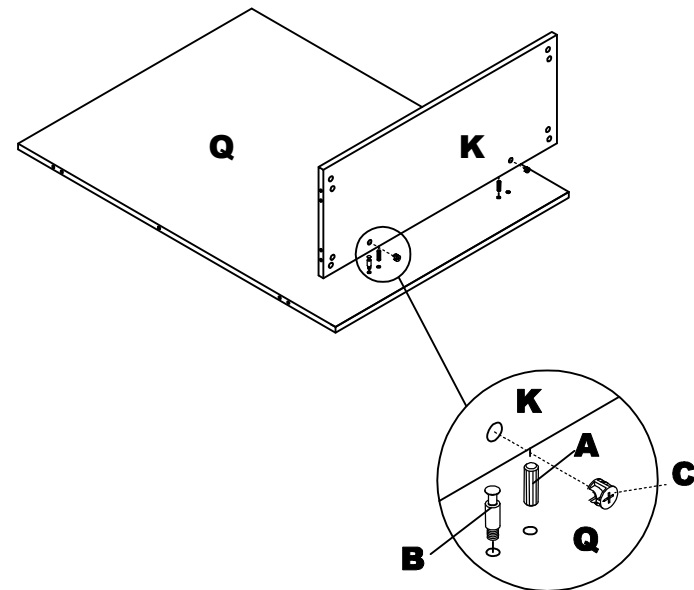
PARTS LIST

| Name | Part | Qty. | Name | Part | Qty. |
|----------|--|----------|----------|---|----------|
| J |  ABS36J** Top | 1 | N |  AB3S36N** Left Side Panel | 1 |
| K |  ABS36K** Bottom | 1 | P |  AB3S36P** Right Side Panel | 1 |
| L |  ABS36L** Toe Kick | 1 | Q |  AB3S36Q** Back Panel | 1 |
| M |  ABS36M** Shelf | 2 | | | |

**Denotes Color Code

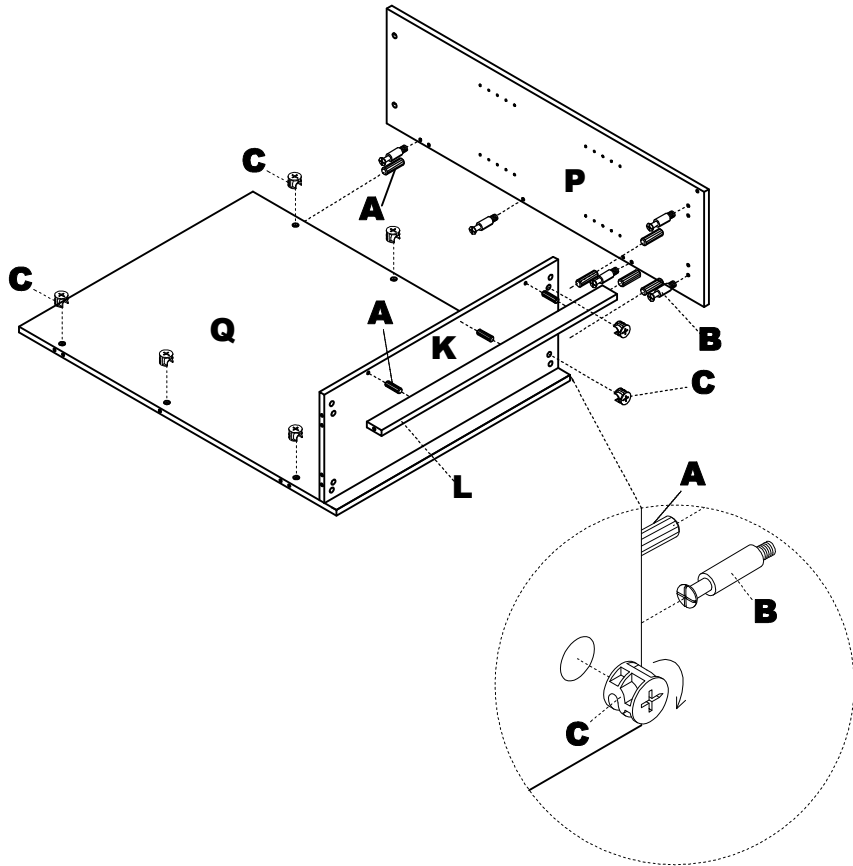
2

- 1** Insert Wood Dowels (A) into Bottom (K). Insert Cams (C) into Bottom (K). Install Cam Posts (B) into threaded inserts in Back Panel (Q). Attach Back Panel (Q) to Bottom (K) by turning Cams (C).



3

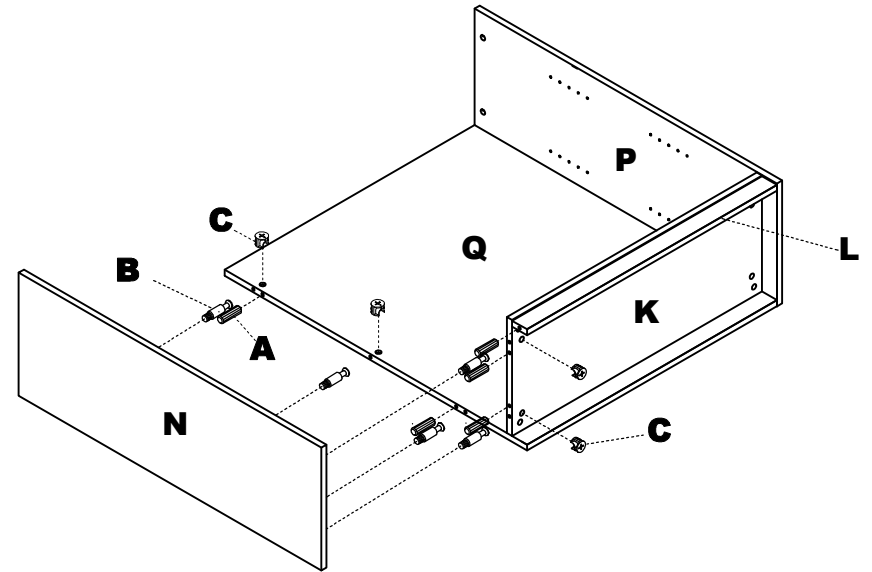
- 2** Insert Wood Dowels (A) into Back Panel (Q), Bottom (K), and Toe Kick (L). Insert Cams (C) into Back Panel (Q) and Bottom (K). Install Cam Posts (B) into threaded inserts in Side Panel (P). Press Toe Kick (L) to Bottom (K). Attach Side Panel (N) to Back Panel (Q) and Bottom (K) by turning Cams (C).



NOTE: The arrow on the face of the Cam (C) should point towards the Cam Post (B) for proper alignment.

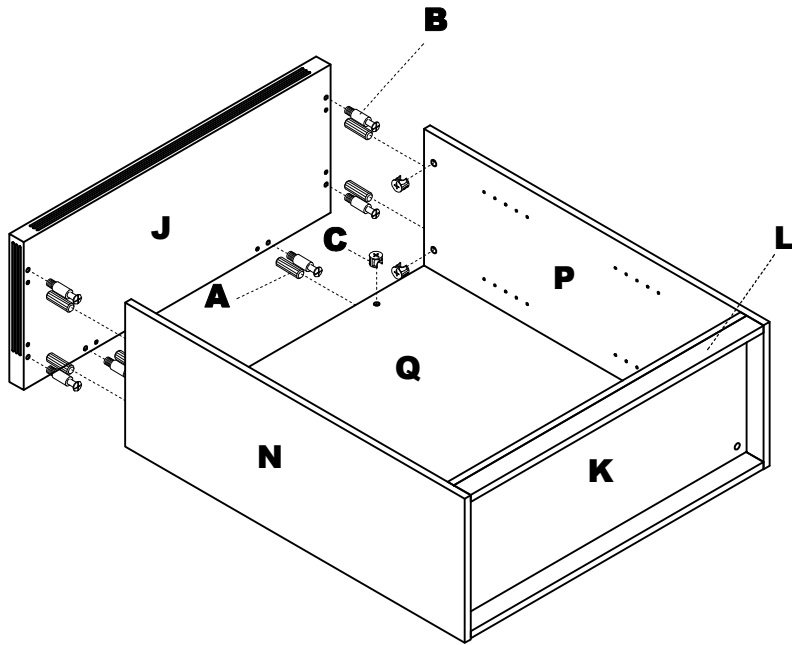
4

- 3** Insert Wood Dowels (A) into Back Panel (P), Bottom Shelf (J), and Toe Kick (K). Insert Cams (C) into Back Panel (P) and Bottom Shelf (J). Install Cam Posts (B) into threaded inserts in Side Panel (M). Attach Side Panel (M) to Back Panel (P) and Bottom Shelf (J) by turning Cams (C).



5

- 4** Insert Wood Dowels (A) into Back Panel (Q) and Side Panels (N & P). Insert Cams (C) into Back Panel (Q) and Side Panels (N & P). Install Cam Posts (B) into threaded inserts in Top (J). Attach Top (J) to Back Panel (Q) and Side Panels (P & Q) by turning Cams (C).

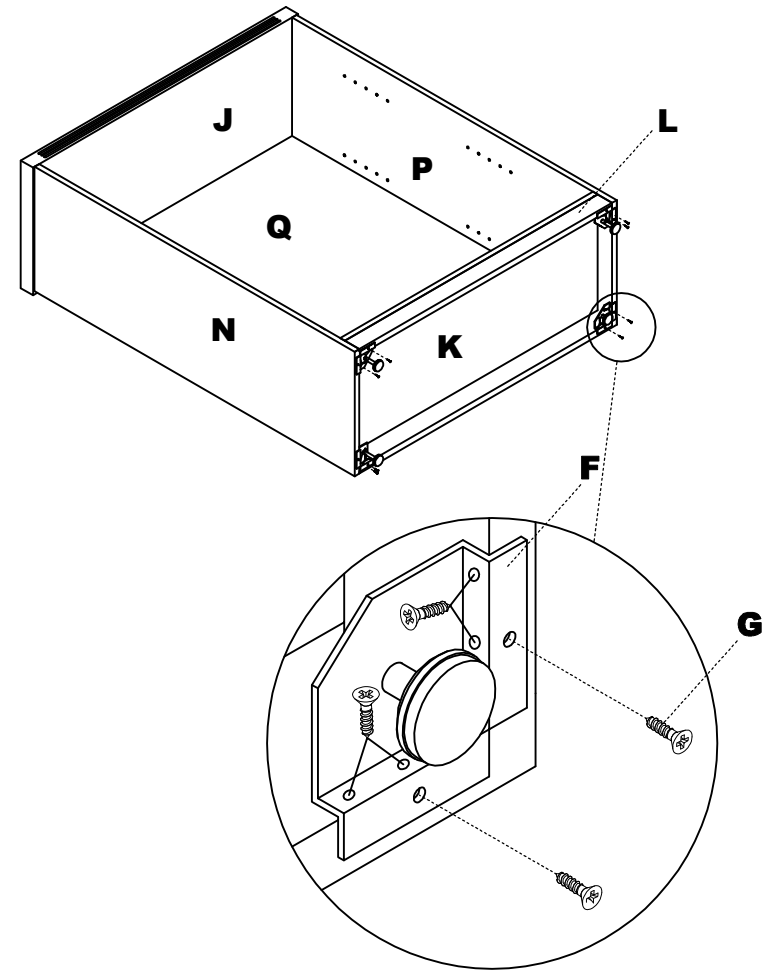


6

- 5** OPTIONAL: Glides or Tape.

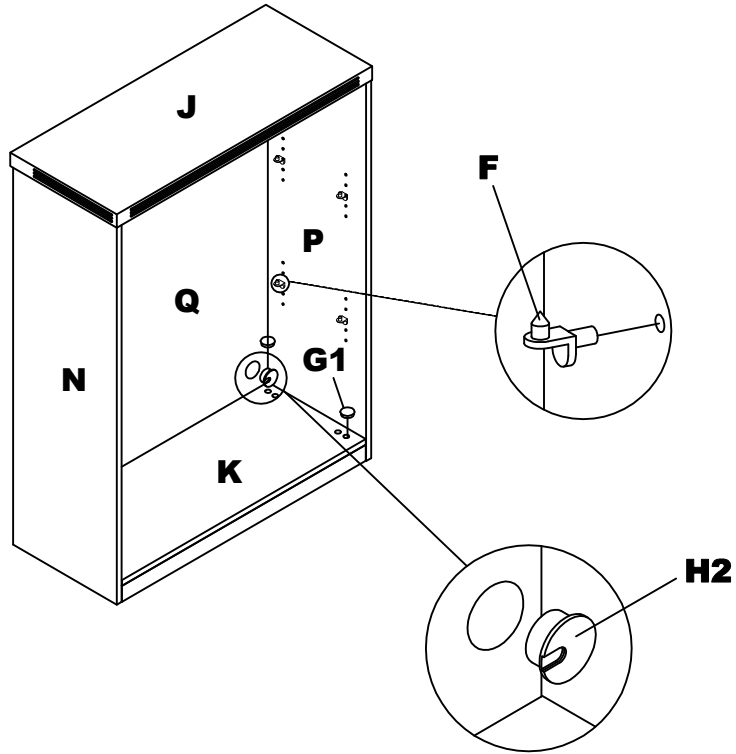
A.) Attach Corner Brackets with Glides (G) using Screws (H1) if unit is to be free-standing.

B.) Apply Foam Tape (E) to bottom edge of Back Panel (P), Toe Kick (L), and Sides (N & P) to protect surface when unit is used on top of a work surface.



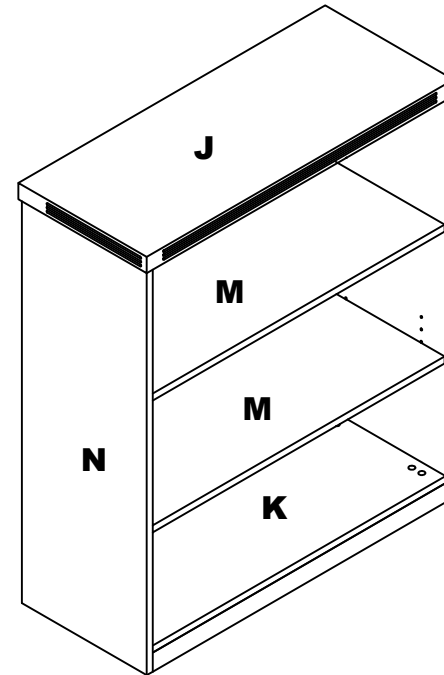
7

- 6** Install Shelf Support Pins (F). Insert Grommet (H2) into Back Panel (Q). Apply Cam Stickers (D) over exposed Cams (C). Insert Caps (G1) into adjustment holes for levelers.



8

- 7** Install Shelves (L).



9