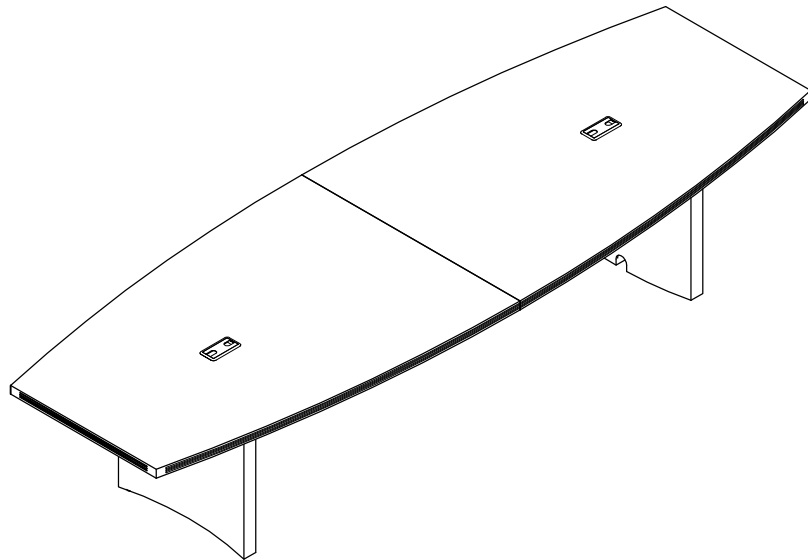
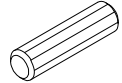
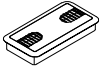
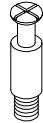
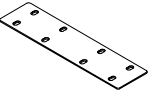
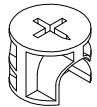
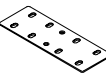


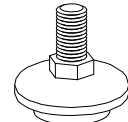
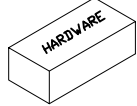


Aberdeen Series™  
 Conference Table 144" x 48"  
 Model No. ACTB12

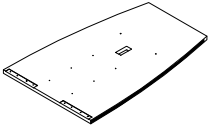
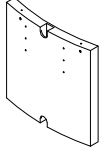
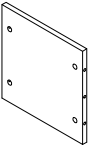
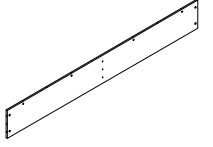


**ASSEMBLY INSTRUCTIONS**  
**CALL 1-800-822-8037 FOR ASSISTANCE**

# PARTS LIST

Name	Part	Qty.	Spare Qty	Name	Part	Qty.	Spare Qty
<b>A</b>	 <b>REALS004</b> Wood Dowel	<b>14</b>	<b>1</b>	<b>F</b>	 <b>REALS099</b> Grommet	<b>2</b>	
<b>B</b>	 <b>REALS003</b> Cam Post	<b>24</b>	<b>2</b>	<b>G</b>	 <b>REALS167</b> Plate	<b>2</b>	
<b>C</b>	 <b>REALS001</b> Cam Fastener	<b>24</b>	<b>2</b>	<b>H</b>	 <b>REALS118</b> Center Plate	<b>1</b>	
<b>D</b>	 <b>REALS102**</b> Cam Sticker	<b>24</b>	<b>2</b>	<b>J</b>	 <b>REALS043</b> M6 x 15mm	<b>24</b>	<b>2</b>
<b>E</b>	 <b>REALS067</b> Leveler	<b>4</b>			 <b>ACBT10HB</b> Items with HB are in hardware box		

# PARTS LIST

Name	Part	Qty.	Name	Part	Qty.
<b>L</b>	 <b>ABT12**</b> Top	<b>2</b>	<b>N</b>	 <b>ACLG**</b> Table Leg	<b>2</b>
<b>M</b>	 <b>ACM12**</b> Center Panel	<b>1</b>	<b>P</b>	 <b>ACM12**</b> Modesty Panel	<b>2</b>

## IMPORTANT!

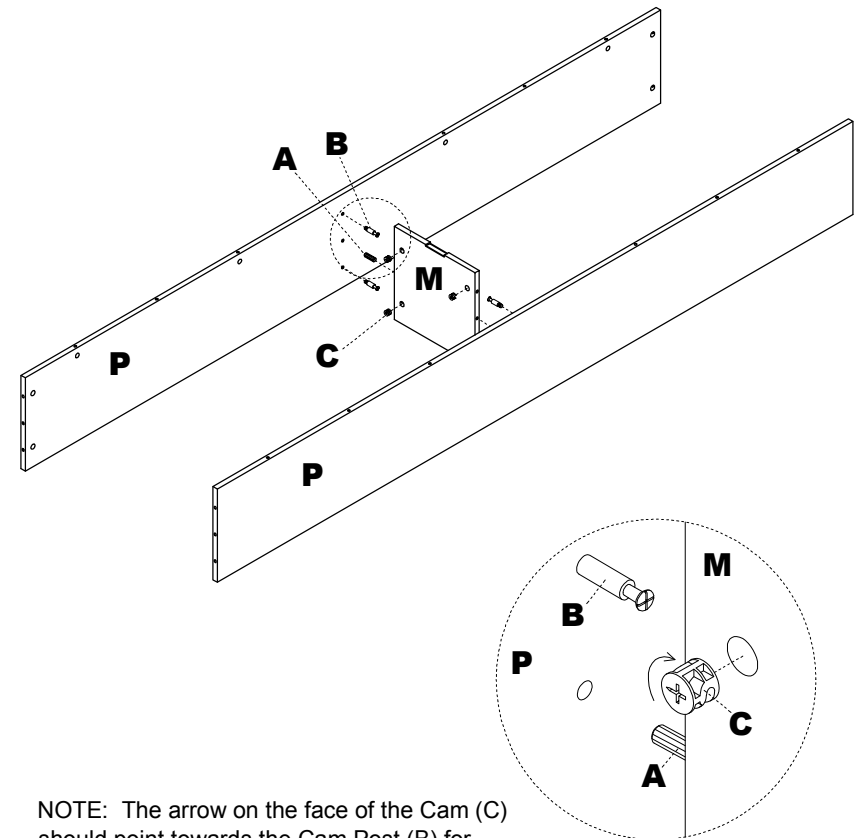
**Review ALL instructions before beginning assembly.** These instructions are provided to avoid problems that may occur from improper assembly or installation. Mayline and/or its distributor are not responsible for failure resulting from improper assembly or installation of this product. Moreover, all warranties are void for failure to follow these assembly instructions.

Items with HB are in the hardware box

\*\*Denotes Color Code

**2**

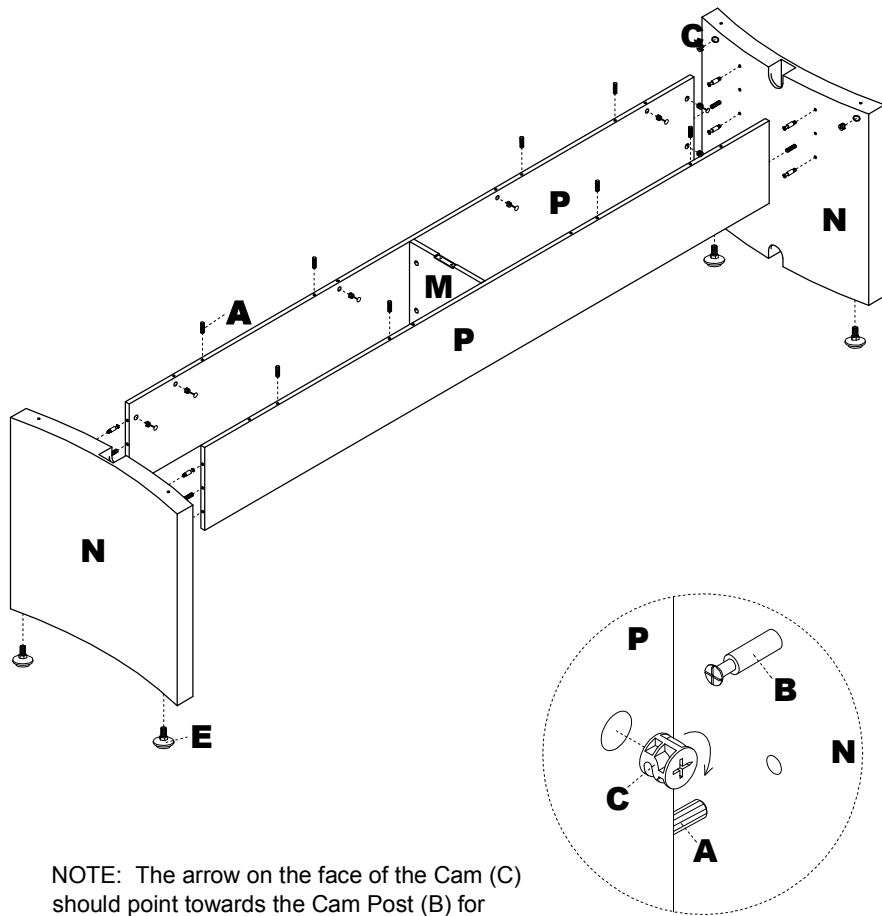
- 1** **DO NOT** assemble table with top to floor. Table must be assembled in an upright position only.
- 2** Insert Wood Dowels (A) and Cams (C) into Center Panel (M). Install Cam Posts (B) into threaded inserts in Modesty Panels (P). Secure Modesty Panels (P) to Center Panel (M) by turning Cams (C).



NOTE: The arrow on the face of the Cam (C) should point towards the Cam Post (B) for proper alignment.

**3**

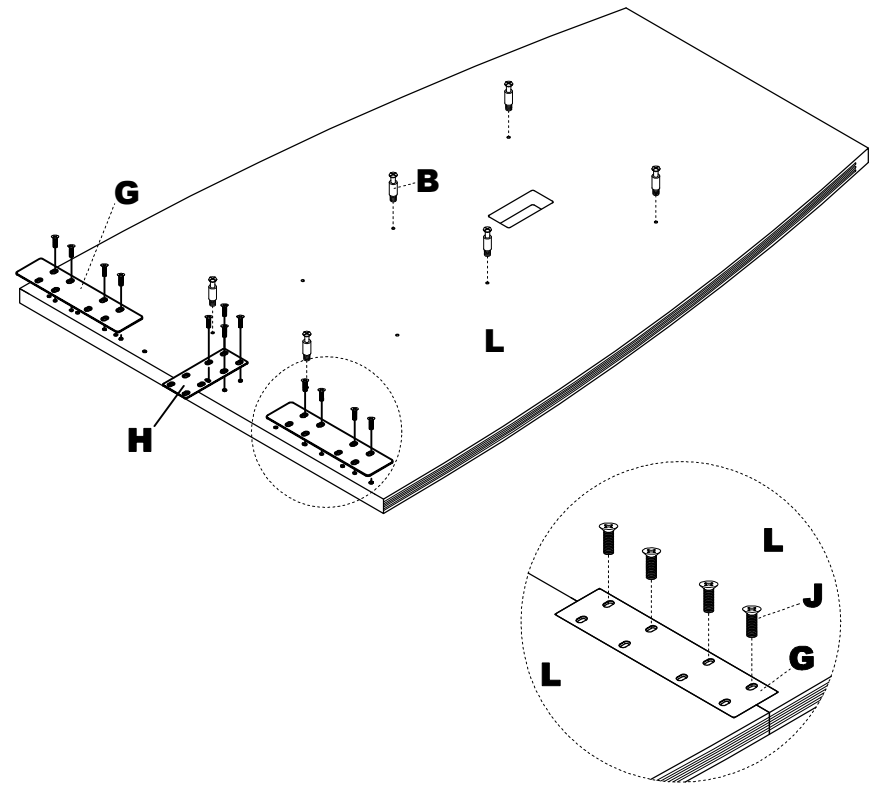
- 3** Insert Wood Dowels (A) into top edge of each Modesty Panel (P). Insert Wood Dowels (A) and Cams (C) into the end of each Modesty Panel (P). Install Cam Posts (B) into threaded inserts in Table Legs (N). Install Leveler (E) and insert Cams (C) into the Table Legs (N). Secure Modesty Panels (P) to Table Legs (N) by turning Cams (C).



NOTE: The arrow on the face of the Cam (C) should point towards the Cam Post (B) for proper alignment.

**4**

- 4** Install Cam Posts (B) into threaded inserts into the underside of each Top (L). Attach Plates (H & G) to the underside of Top (L) using Screws (J).



**5**

**5**

Place each Top (L) onto the base. Fasten tops (L) together using Plates (G, H) and Screws (J). Secure Tops (L) to base by turning Cams (C). Insert Grommet (F) into Tops (L). Apply Cam Stickers (D) to all exposed Cams (C).

