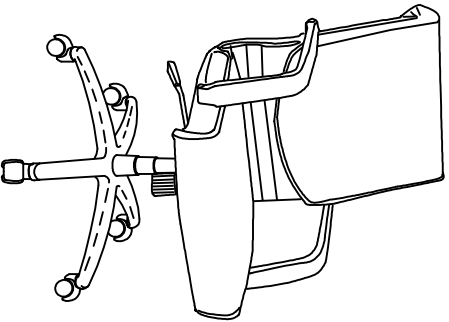
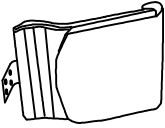

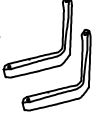


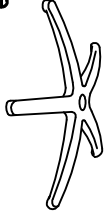



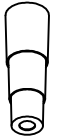
**ASSEMBLY INSTRUCTIONS**  
**MERCADO ALLIANCE CHAIR**  
**MODEL NO. AL**




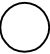
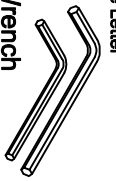


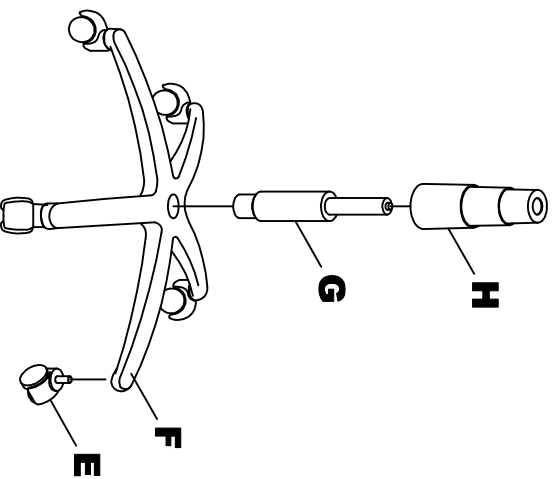
**IMPORTANT!**  
**Review ALL instructions before beginning assembly.** These instructions are provided to avoid problems that may occur from improper assembly or installation. Mayline and/or its distributor are not responsible for failure resulting from improper assembly or installation of this product. Moreover, all warranties are void for failure to follow these assembly instructions.

**PARTS LIST A/L**  
 When ordering components, specific color and/or size information may be required.  
 Contact a Mayline Customer Service Representative. 1-800-822-8037  
 \* Individual Items, Order by part number.  
 \*\* Denotes Color Code

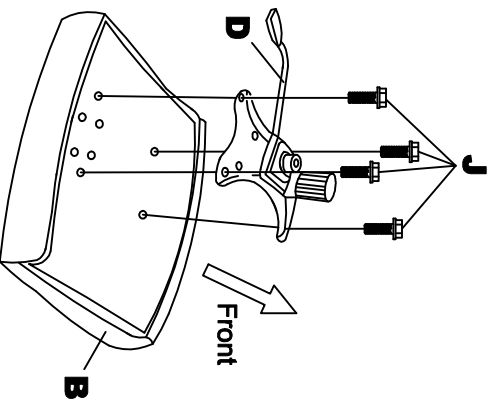
Reference Letter <b>A*</b>	Quantity <b>1</b>
Part Number CM106** Back	
Reference Letter <b>B*</b>	Quantity <b>1</b>
Part Number CM125** Seat	
Reference Letter <b>C*</b>	Quantity <b>1</b>
Part Number CM144 Arms (Pair)	
Reference Letter <b>D*</b>	Quantity <b>1</b>
Part Number CM162 Mechanism	
Reference Letter <b>E*</b>	Quantity <b>5</b>
Part Number CM210 Caster (5 pack)	
Reference Letter <b>F*</b>	Quantity <b>1</b>
Part Number CM200 Base	
Reference Letter <b>G</b>	Quantity <b>1</b>
Part Number CM476 Cylinder	

Reference Letter <b>H*</b>	Quantity <b>1</b>
Part Number CM350 Cylinder Cover	

Part Number CM220 * Hardware Pack	Quantity <b>4</b>	Spare <b>1</b>
Reference Letter <b>J</b>		
Reference Letter <b>K</b>		
Reference Letter <b>L</b>		
Reference Letter <b>M</b>		
Reference Letter <b>N</b>		

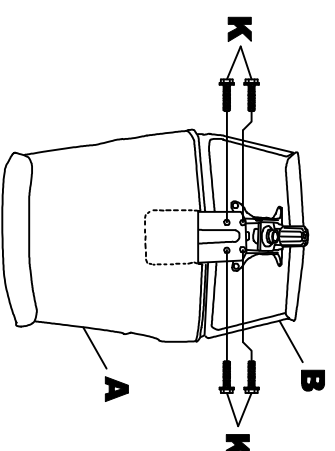


1. Place Base (F) upside down and push Casters (E) firmly into base. 5 places.
2. Turn Base right side up and insert Cylinder (G) into center hole of Base.
3. Place Cylinder Cover (H) over Cylinder.

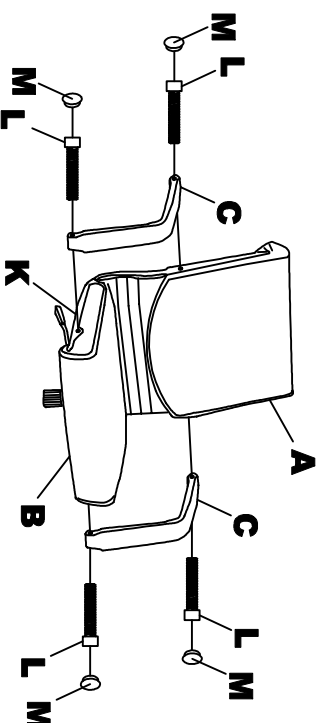


4. Assemble Mechanism (D) onto Seat (B) using Screws (J) 4 Places.

(3)

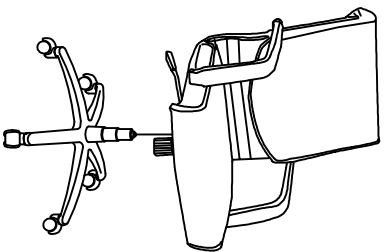


5. Assemble Back (A) onto Seat (B) using Screws (K) 4 places. DO NOT TIGHTEN SCREWS at this time. This will allow a tolerance when assembling arms.



6. Assemble Arm (C) 2 places onto Back (A) & Seat (B) using Screws (L) 4 places. DO NOT TIGHTEN SCREWS at this time.
7. After both arms are installed tighten all Screws (L) 4 places and Screws (K) 4 places.
8. Insert Arm Plug (M) into Arm (C) 4 places.

(4)



9. Carefully place chair assembly onto base assembly.

**NOTE:**

Periodically (Every 90 days) make sure screws are fully tightened.

**OPERATING INSTRUCTIONS FOR  
CENTER PIVOT (BUTTERFLY) MECHANISM**

**1. Seat Height Adjustment.**

To raise the seat, pull lever upward and raise your body up slightly to allow the chair to rise to the desired height.

To lower the seat, pull lever upward and apply weight downward on the seat.

**Seat Upright Lock**

To lock chair in upright position, lean forward and push knob toward chair.

To unlock chair in upright position, lean forward and pull knob away from chair.

**2. Tilt Tension Control Knob.**

Turn knob clockwise to increase tilt tension.

Turn knob counter-clockwise to decrease tilt tension.

