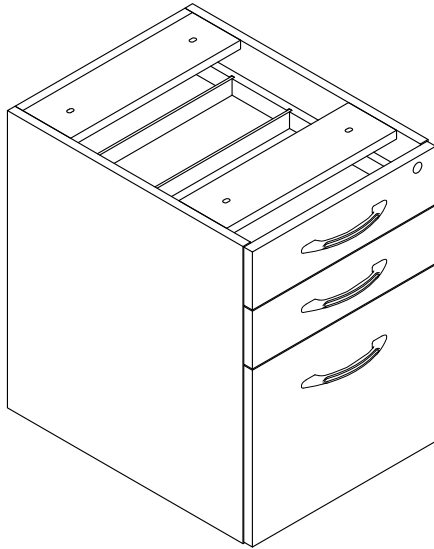


**Aberdeen Series™**

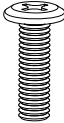
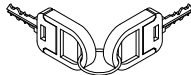

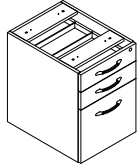
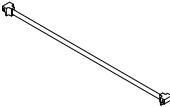
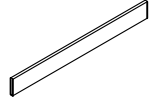
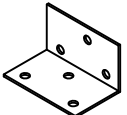
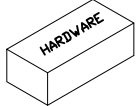
**Suspended Credenza Pencil/Box/File Pedestal  
Model No. APBF20**



**ASSEMBLY INSTRUCTIONS**

**CALL 1-800-822-8037 FOR ASSISTANCE**

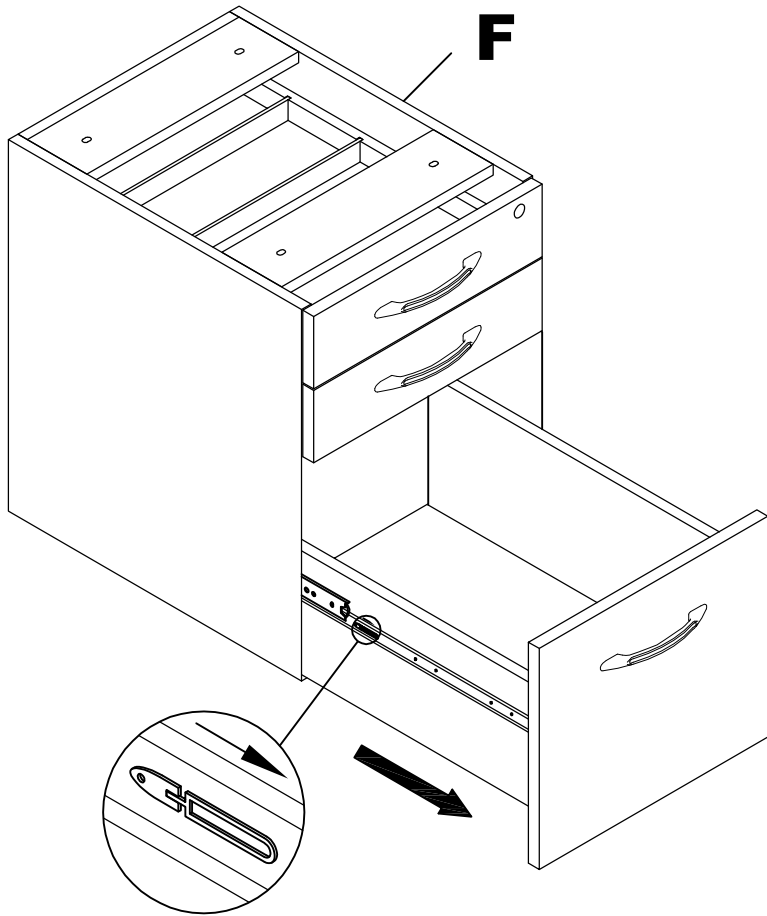
**PARTS LIST**

Name	Part	Qty.	Spare Qty	Name	Part	Qty.	Spare Qty
<b>A</b>	 <b>REALS124</b> M6 x 35mm HB	<b>4</b>	<b>1</b>	<b>E</b>	 Keys HB	<b>1</b>	
<b>B</b>	 <b>REALS005</b> Ø4 x 16 HB	<b>6</b>	<b>1</b>	<b>F</b>	 <b>APBF20**</b> Pedestal	<b>1</b>	
<b>C</b>	 <b>REALS060</b> 1 Bar w/2 Caps	<b>1</b>		<b>G</b>	 <b>APDD**</b> Pencil Drawer Divider	<b>3</b>	
<b>D</b>	 <b>REALS202</b> L Bracket HB	<b>1</b>			 <b>APBFHB</b>		

Items with HB are in hardware box.

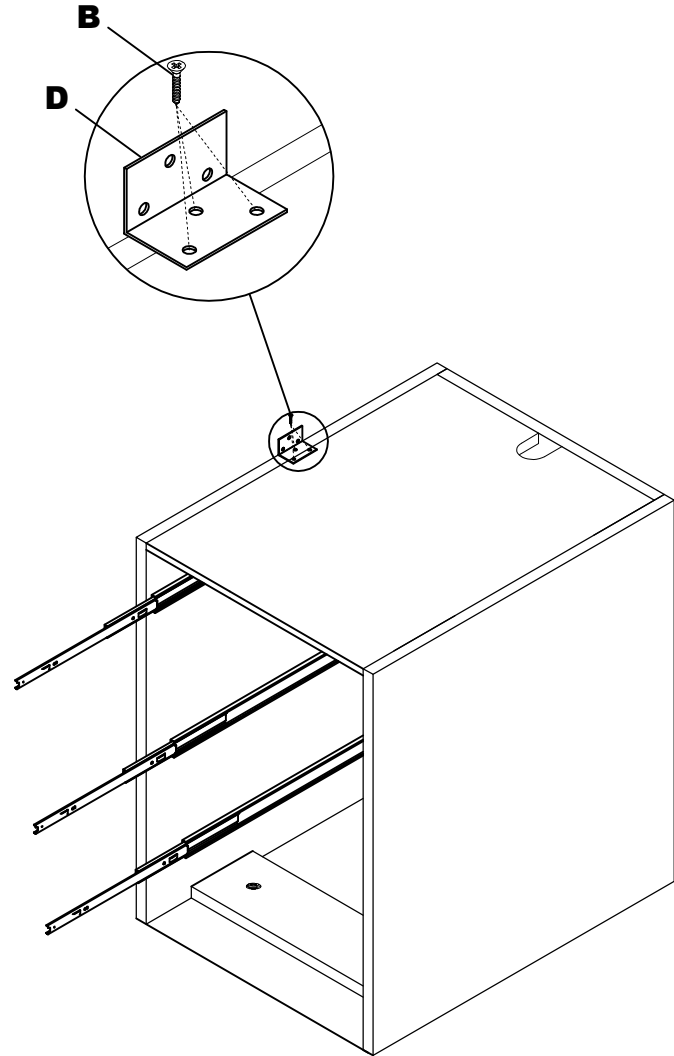
\*\*Denotes Color Code

- 1** Remove drawers from pedestal by depressing the plastic tabs and pulling the drawer out of cabinet.



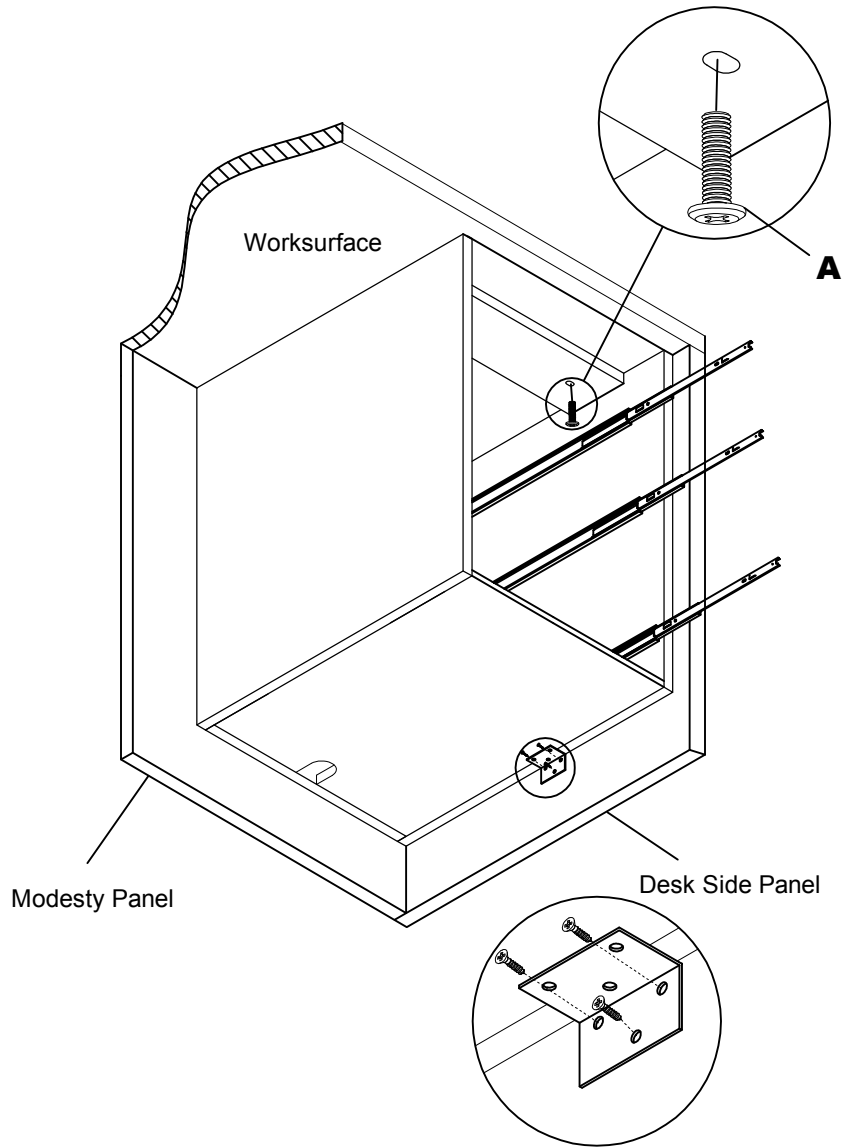
**2**

- 2** Attach L Bracket (D) to the underside of the pedestal centered, on the side that will come in contact with the desk leg, using Screws (B).



**3**

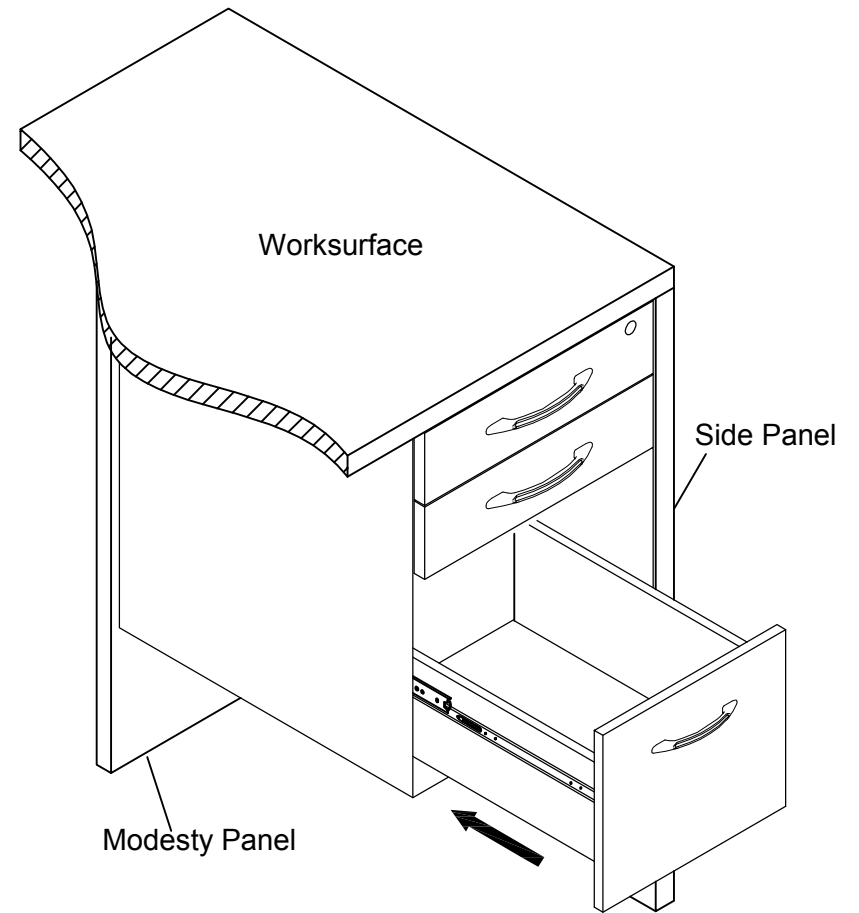
- 3** Attach Pedestal Screws (A), to the inserts in the underside of the desk. Secure L Bracket (D) to the leg of the desk using Screws (B).



**4**


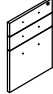


- 4** Re-install the drawers into the pedestal by lining up the grooves of the inner slide with the grooves of the outer slides and sliding in.

Install Pencil Drawer Dividers (G) into Pencil Drawer.



**5**

# Pre-Installed Replacement Parts List

Part	Included Qty.	Part	Included Qty.
 <p><b>REALS191</b> Handle w/ Screws</p>	<b>3</b>	 <p><b>APBFD**</b> Drawer Fronts - Set of 3</p>	<b>1*</b>
 <p><b>REALS307</b> <span style="border: 1px solid black; padding: 0 2px;">A</span> Drawer Slide 16" - Pair</p>	<b>3</b>	 <p><b>REALS121</b> Ø3 x 14mm</p>	<b>48</b>

\* Available in Cherry (LCR) or Mocha (LDC) finish only.

\*\*Denotes Color Code

A Previous Drawer Slide Was REALS054. Change effective July 10, 2010