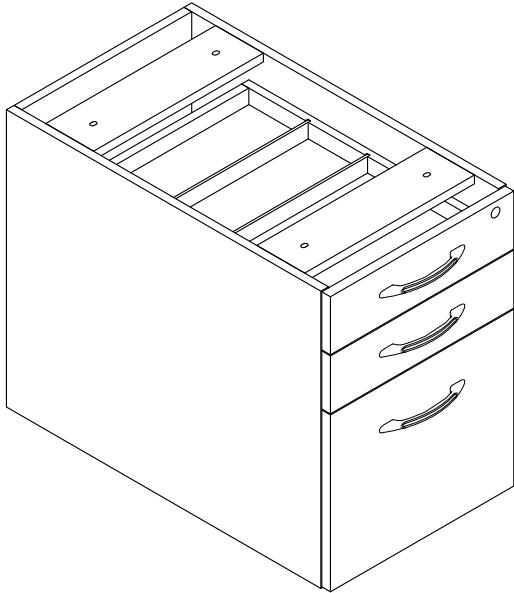


Aberdeen Series™

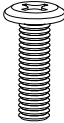
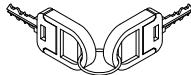

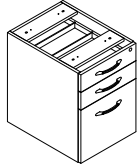
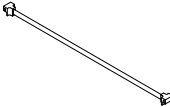
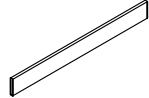
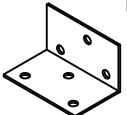
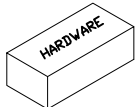
Suspended Desk Pencil/Box/File Pedestal
Model No. APBF26



ASSEMBLY INSTRUCTIONS

CALL 1-800-822-8037 FOR ASSISTANCE

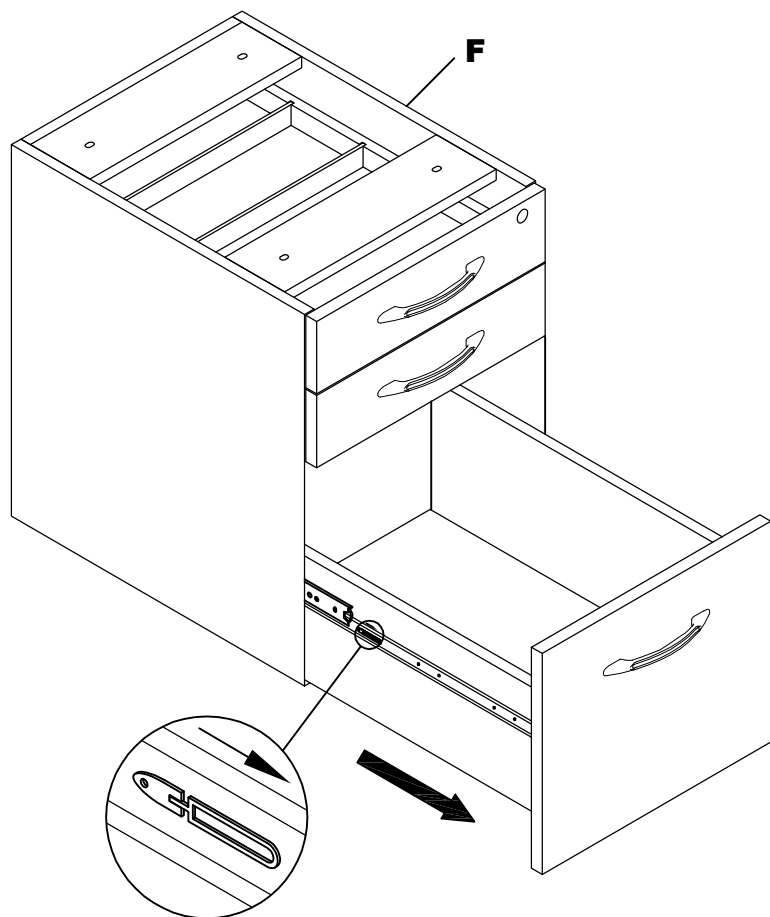
PARTS LIST

Name	Part	Qty.	Spare Qty	Name	Part	Qty.	Spare Qty
A	 REALS124 M6 x 35mm HB	4	1	E	 Keys HB	1	
B	 REALS005 Ø4 x 16 HB	6	1	F	 APBF26** Pedestal	1	
C	 REALS060 1 Bar w/2 Caps	1		G	 APDD** Pencil Drawer Divider	3	
D	 REALS202 L Bracket HB	1			 APBFHB		

Items with HB are in hardware box.

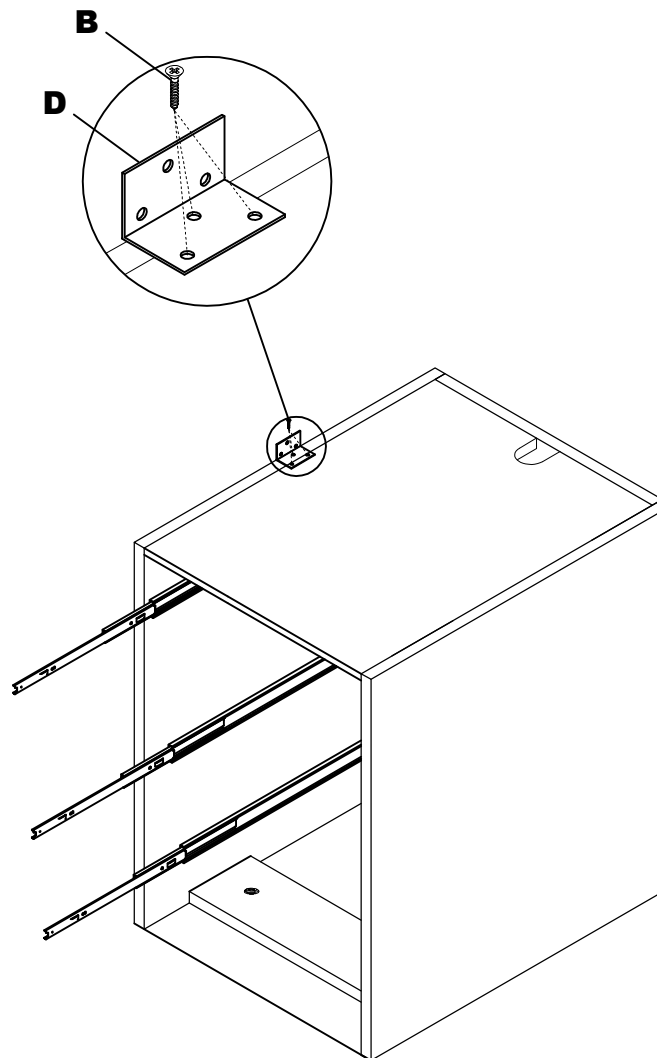
**Denotes Color Code

- 1** Remove drawers from pedestal by pulling the plastic tabs and pulling the drawer out of cabinet.



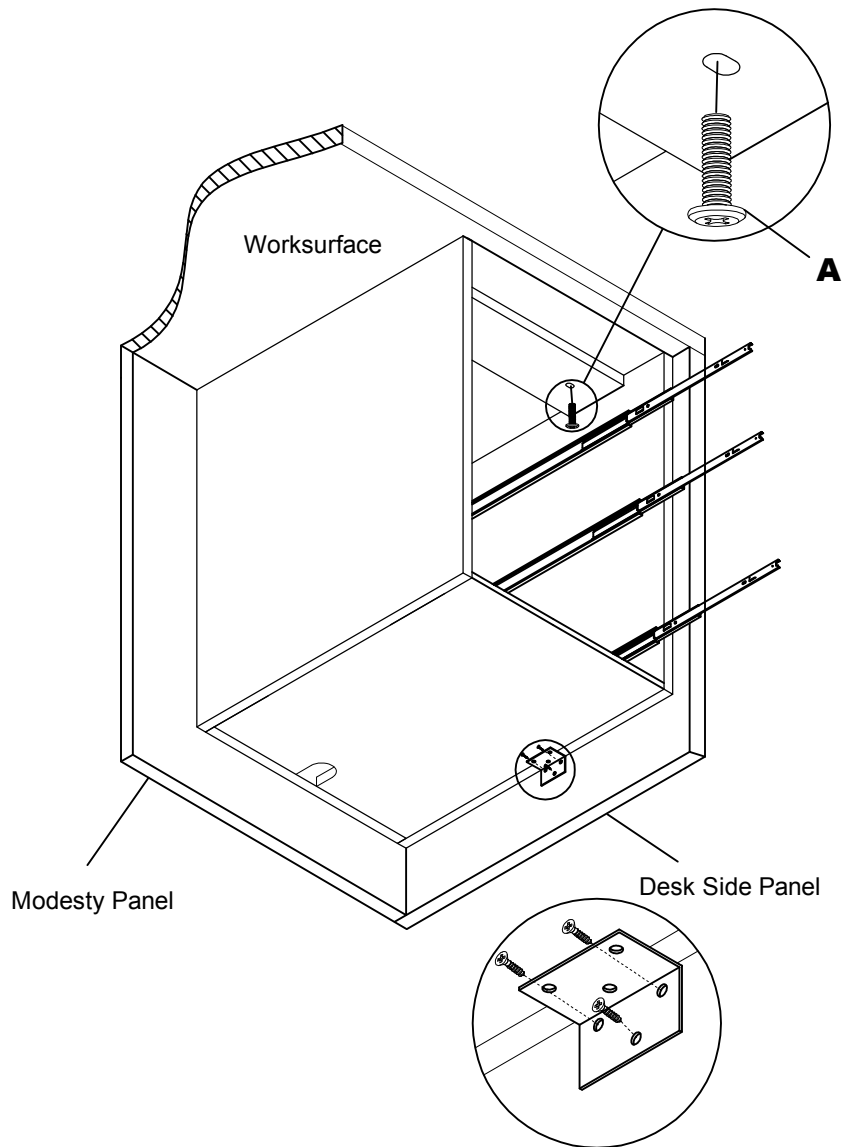
2

- 2** Attach L Bracket (D) to the underside of the pedestal centered, on the side that will come in contact with the desk leg, using Screws (B).



3

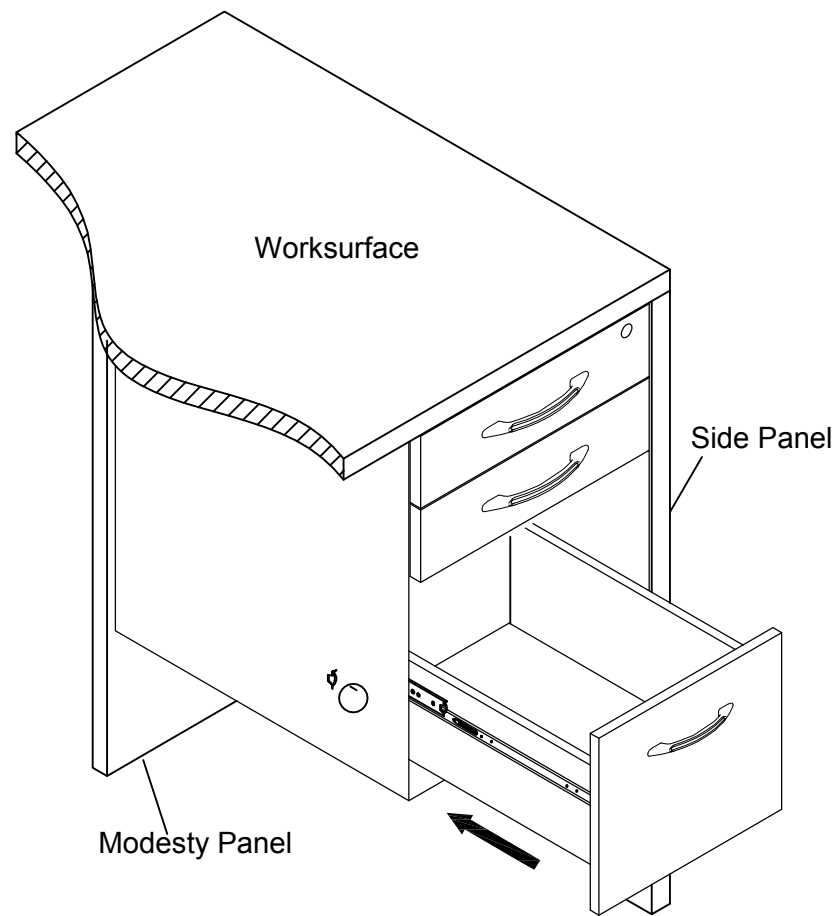
- 3** Attach Pedestal Screws (A), to the inserts in the underside of the desk. Secure L Bracket (D) to the leg of the desk using Screws (B).



4


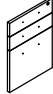


- 4** Re-install the drawers into the pedestal by lining up the grooves of the inner slide with the grooves of the outer slides and sliding in.

Install the Pencil Drawer Dividers (G) into the Pencil Drawer.



5

Pre-Installed Replacement Parts List

Part	Included Qty.	Part	Included Qty.
 <p>REALS191 Handle w/ Screws</p>	3	 <p>APBFDF** Drawer Fronts - Set of 3</p>	1*
 <p>REALS309 A Drawer Slide 22" - Pair</p>	3	 <p>REALS121 Ø3 x 14mm</p>	48

* Available in Cherry (LCR) or Mocha (LDC) finish only.

**Denotes Color Code

A Previous Drawer Slide Was REALS057. Change effective July 10, 2010