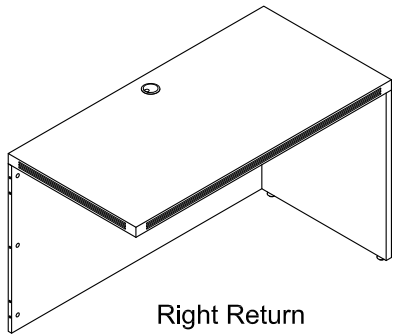


Aberdeen Series™

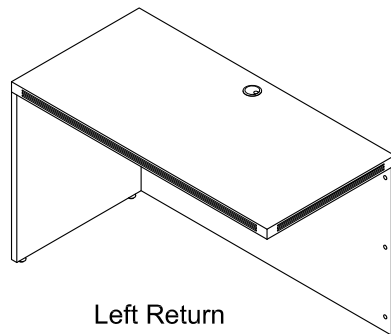
Return

Model No. AR4824, AR4224, AR3624



Right Return

OR

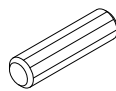
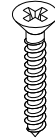
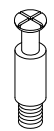
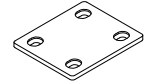
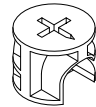
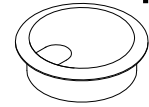

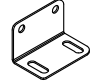
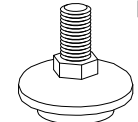



Left Return

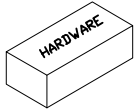
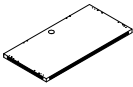
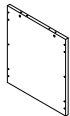
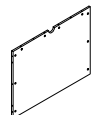
ASSEMBLY INSTRUCTIONS

CALL 1-800-822-8037 FOR ASSISTANCE

PARTS LIST

Name	Part	Qty.	Spare Qty	Name	Part	Qty.	Spare Qty
A	 REALS004 Wood Dowel	6	1	F	 REALS046 Ø4 x 25	8	1
B	 REALS003 Cam Post	9	1	G	 REALS161 Plate	4	
C	 REALS001 Cam Fastener	9	1	H	 REAL100 Grommet	1	
D	 REALS102** Cam Sticker	17	2	J	 REALS275 L-SHAPE BRACKET	2	
E	 REALS067 Leveler	2		K	 REALS005 Ø4 x 16	16	1

PARTS LIST

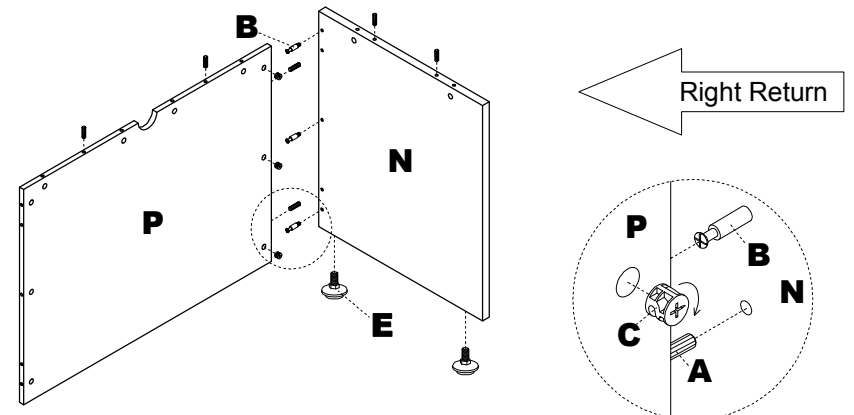
Name	Part	Qty.	Spare Qty	Name	Part	Qty.
	 <p>ARHB Items with HB are in hardware box.</p>			M	 <p>AR~24M** Top</p>	1
				N	 <p>AR24N** Side Panel</p>	1
				P	 <p>AR~P** Modesty Panel</p>	1

**Denotes Color Code
 ~~Denotes Size (48", 42", 36", or 30")

2

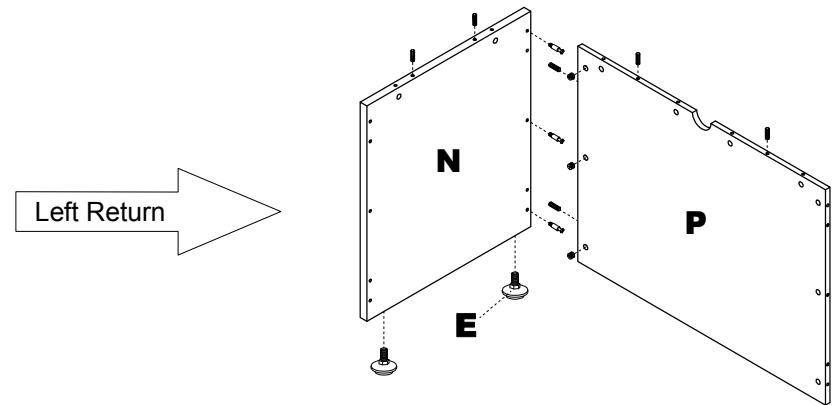
NOTE - Decide if return will be used as a Left or Right prior to beginning assembly.

- 1** Insert Wood Dowels (A) into the Modesty Panel (Q) and the top of the Side Panel (P). Insert Cams (C) into Modesty Panel (Q). Install Cam Posts (B) into threaded inserts in Side Panel (P). Install Levelers (E) into bottom of Side Panel (P). Attach Modesty Panel (Q) to Side Panel (P) by turning Cams (C).



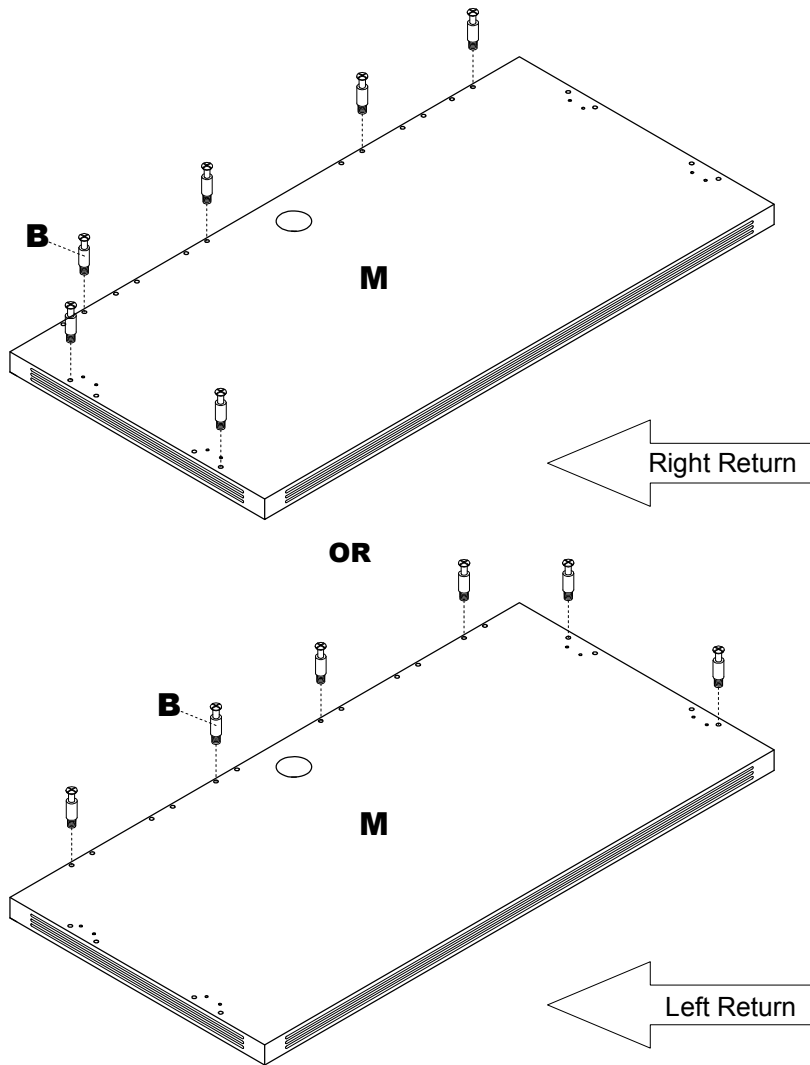
OR

NOTE: The arrow on the face of the Cam (C) should point towards the Cam Post (B) for proper alignment.



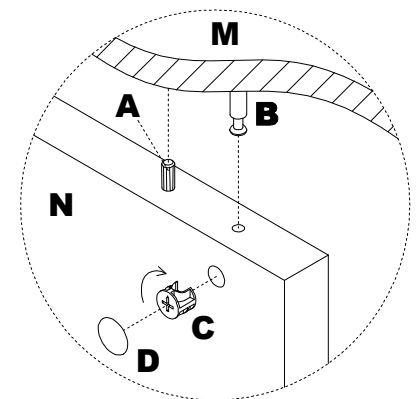
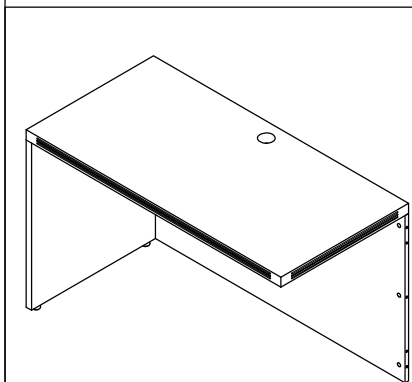
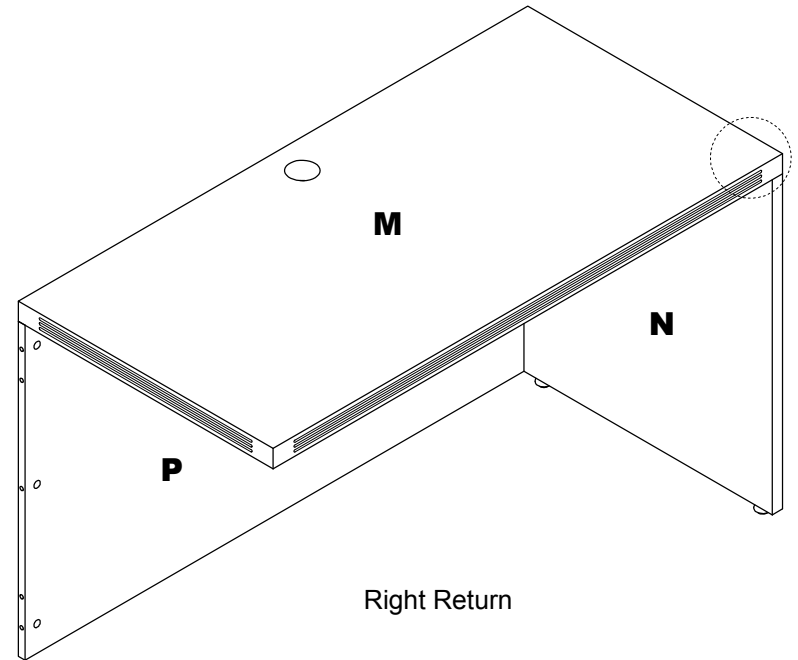
3

2 Install Cam Posts (B) into threaded inserts in underside of Top (N).



4

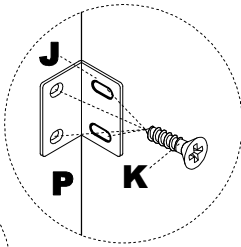
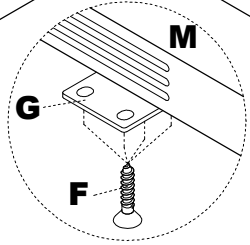
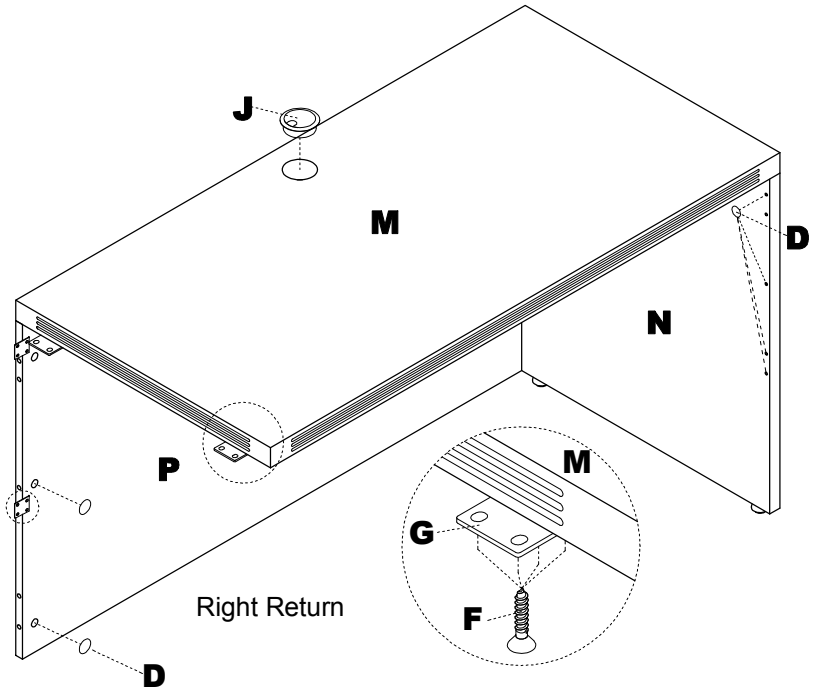
3 Place Top (N) onto base and lock in place by turning Cams (C).



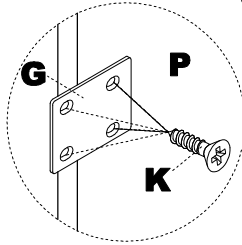
Left Return

5

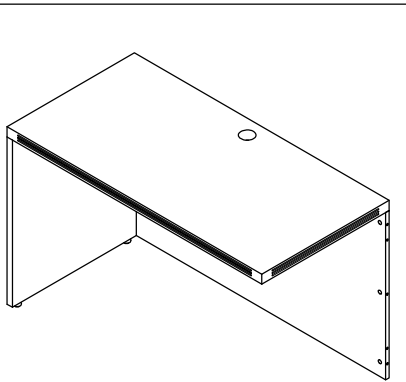
4 Attach to adjacent surface using Screws (F & M) and Plates (G) for surface connection and Plates (G or K) for Modesty Panel or Side Panel connection. Adhere Stickers (D, L) over Cams (C) and unused inserts and holes.



Attach to Extended Corner



Attach to Desk



Left Return