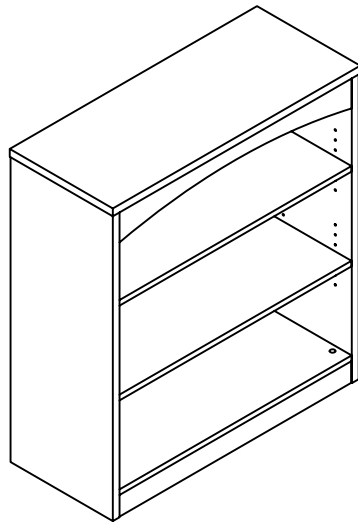
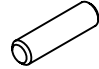



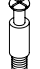











Brighton Series™
Bookcase
Model No. BTB3S36



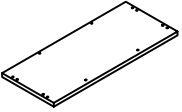
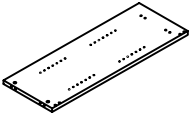
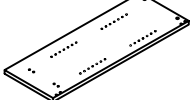
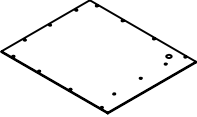
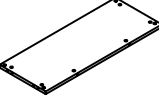
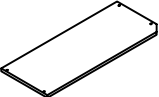
ASSEMBLY INSTRUCTIONS
CALL 1-800-822-8037 FOR ASSISTANCE

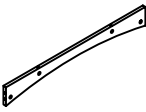
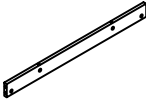
PARTS LIST

Name	Part	Qty.	Spare Qty	Name	Part	Qty.	Spare Qty
A	 REALS004 Wood Dowel	12	1	G	 REALS009 Shelf Support	8	1
B	 REALS001 Cam Lock	16	1	H	 REALBY009 M3.5 x 14mm Black	16	1
C	 REALS003 Cam Post	16	1	J	 REALS230** Hole Cap 15mm	4	1
D	 REALS102** Cam Sticker	16	1	K	 REALBY028 Wrench	1	
E	 REALBY018 Leveler (50H)	4		L	 REALS042 Bracket	2	
F	 REALS104 Grommet 35mm	1		M	 REALBY045 Foam Tape	2	
	 BTBSHB			W	 Ø3X16mm	14	1

Items with HB are in hardware box.
**Denotes Color Code

PARTS LIST

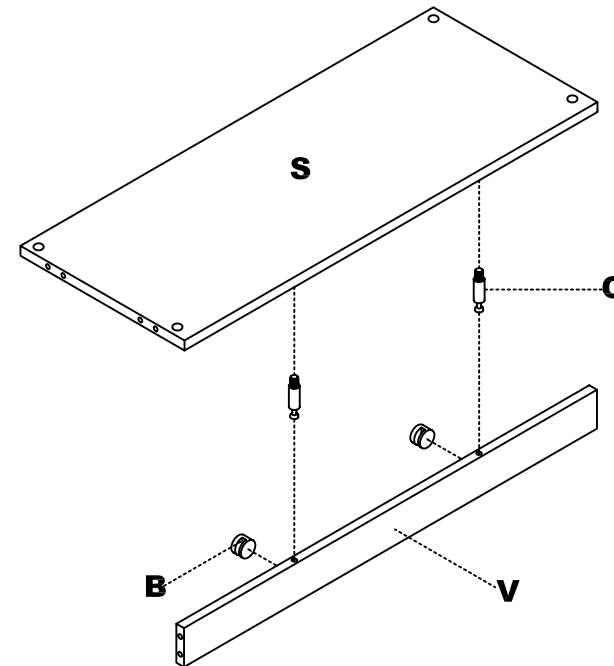
Name	Part	Qty.
N	 BTBS36N** Top	1
P	 BTB3S36P** Left Side Panel	1
Q	 BTB3S36Q** Right Side Panel	1
R	 BTB3S36R** Back Panel	1
S	 BTBS36S** Bottom	1
T	 BTBS36U** Adjustable Shelf	2

Name	Part	Qty.
U	 BTBS36V** Fascia	1
V	 BTBS36W** Toe Kick	1

**Denotes Color Code

2

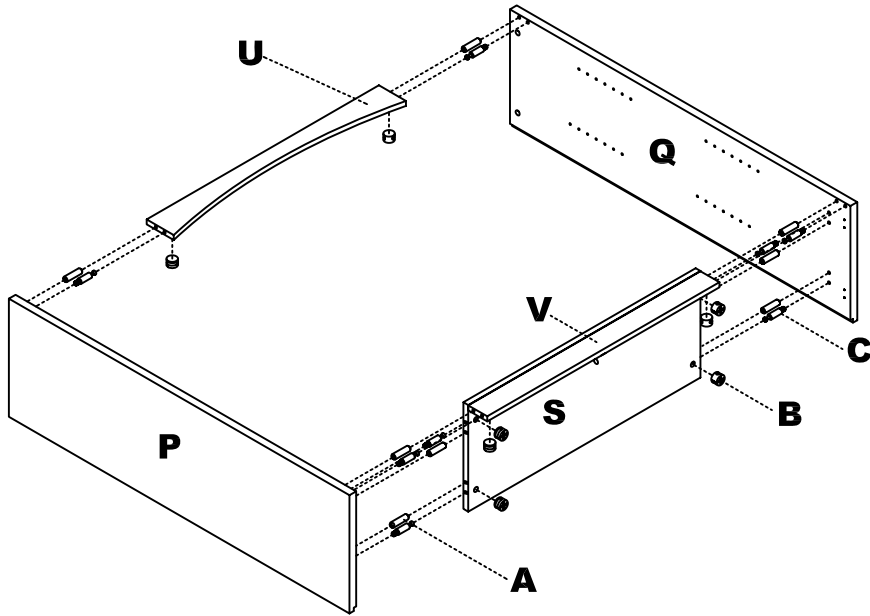
- 1 Install Cam Post (C) in to the underside of the Bottom (S) and the backside of the Toe Kick (V). Fasten the Toe Kick (V), Bottom (S) by turning Cams (B).



NOTE: The arrow on the face of the Cam (B) should point towards the Cam Post (C) for proper alignment.

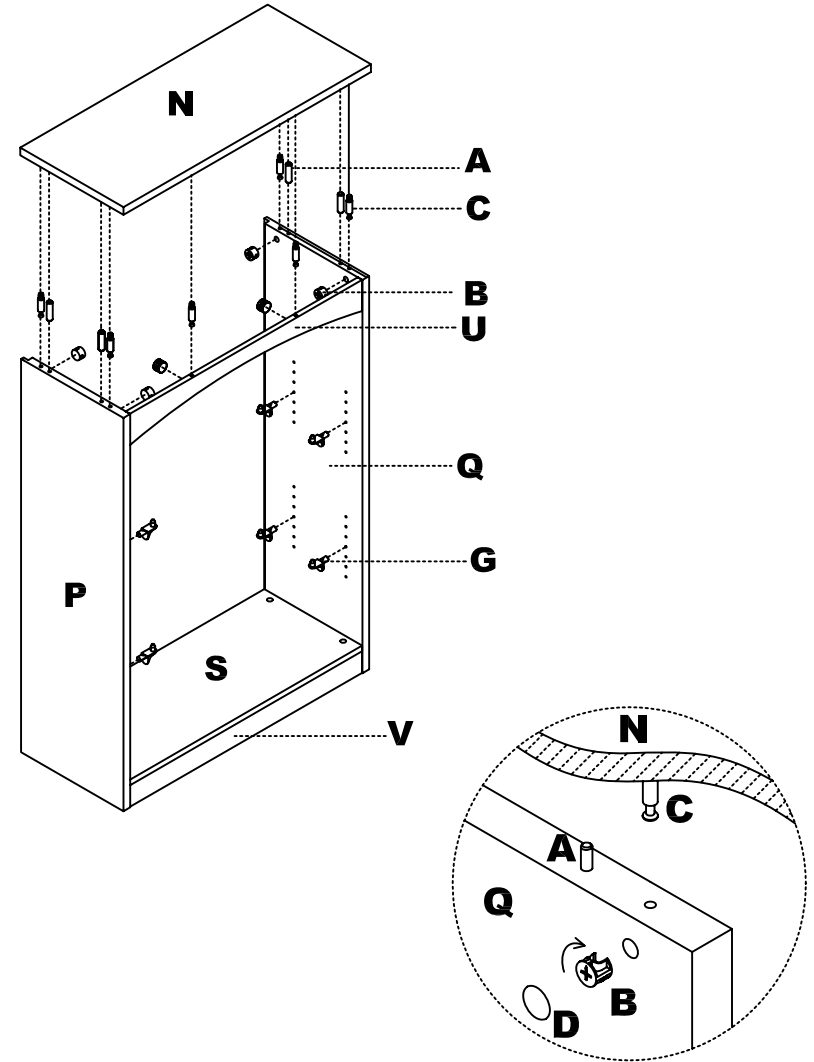
3

- 2** Insert Dowels (A) and Cams (B) into Fascia (U), Bottom (S), Toe Kick (V) . Install Cam Posts (C) into the Side Panels (P & Q). Fasten Side Panels (P & Q) to Fascia (U), Bottom (S), Toe Kick (V) by turning Cams (B).



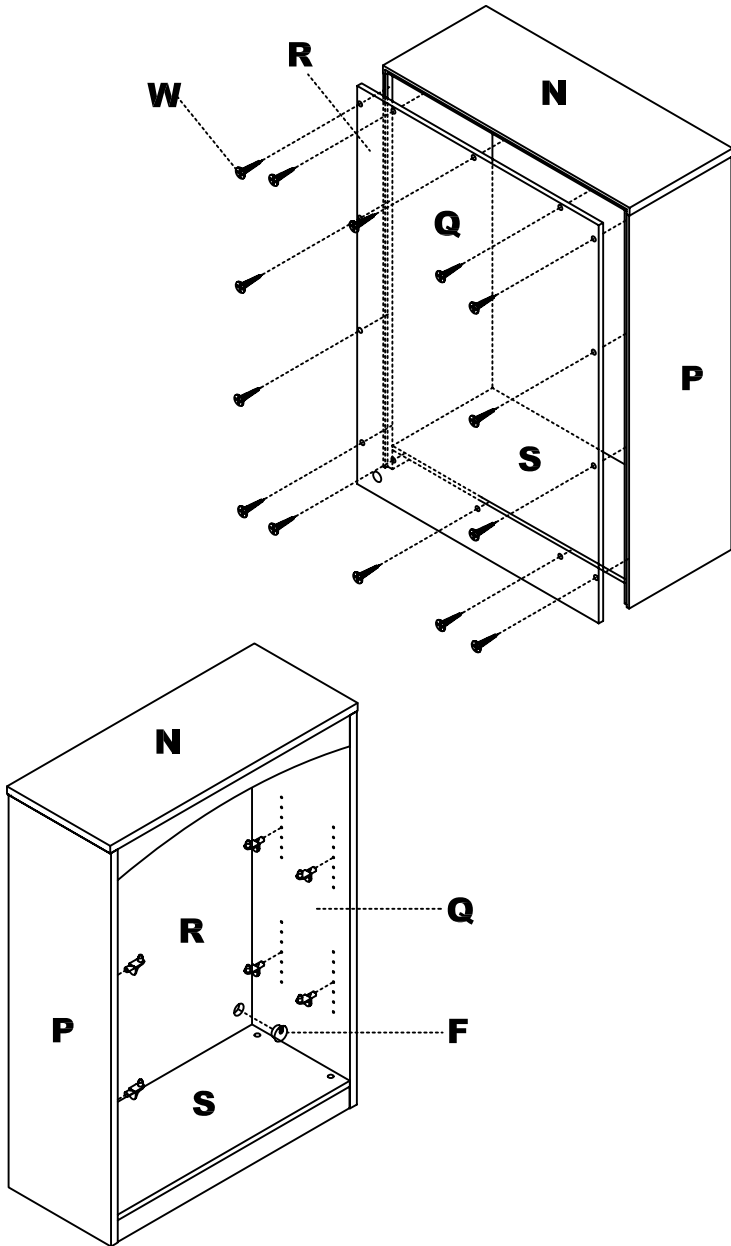
4

- 3** Insert Dowels (A) and Cams (B) into Fascia (U) and Side Panels (P & Q). Install Cam Posts (C) into the Top (N). Fasten Top (N) to Side Panels (P & Q), Fascia (U) by turning Cams (B). Insert Shelf Supports (G) into the Side Panels (P & Q) at the desired height. Adhere the Cam Stickers (D) to exposed Cams (B).



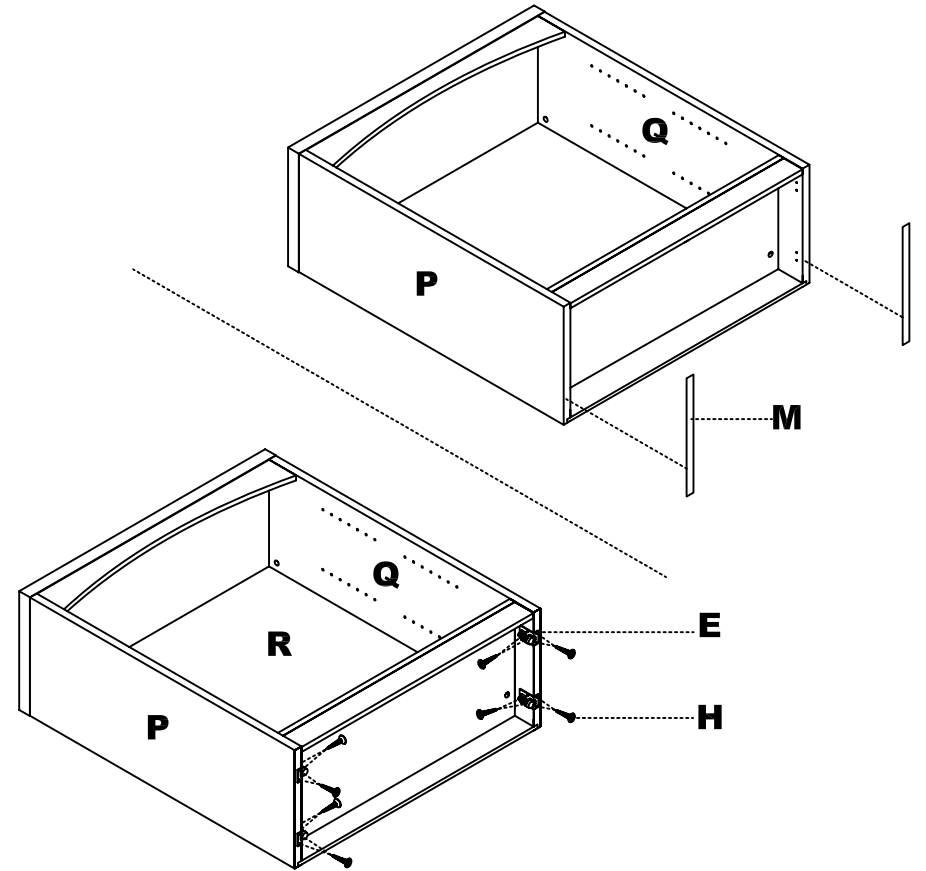
5

- 4** Attach the Back Panel (R) to Top (N) , the Side Panels (P & Q) and Bottom (S) using Screws (W). Insert Grommets (F) into the Back Panel (R).



6

- 5** If the Bookcase will be placed on top of a desk, place two strips of Foam Tape (M) onto bottom of Side Panels (P & Q).
If the Bookcase is to be free standing, attach Leveler Assembly (E) to the Side Panels (P & Q) using Screws (H).



7

6 If the Bookcase will be on top of a desk, place assembled Bookcase onto Desk at desired location. Attach Bracket (L) to lower Side Panels (P & Q) and Desk using Screws (H). Insert Hole Cap (J) into Leveler access holes in Bottom (S).

If the Bookcase will be free standing, place Bookcase at desired location. Level Bookcase using Wrench (K). Insert Hole Cap (J) into Leveler access holes in Bottom (S).

Install Adjustable Shelves (T).

