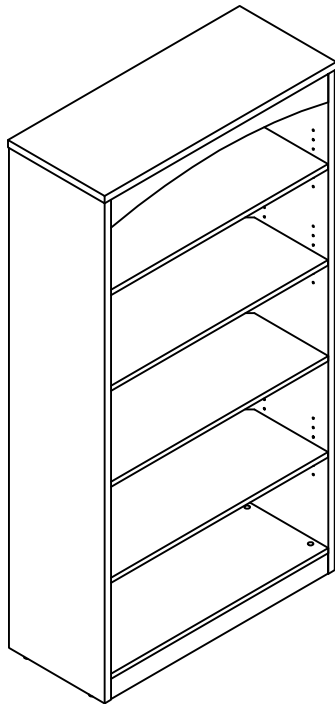


realoffice

MAYLINE®

Brighton Series™
Bookcase
Model No. BTB5S36

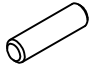














ASSEMBLY INSTRUCTIONS
CALL 1-800-822-8037 FOR ASSISTANCE

P/N **BTB5S36** Rev 2 01/15

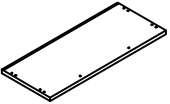
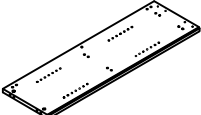
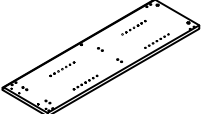
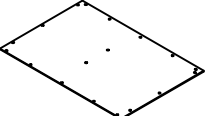
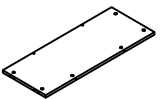
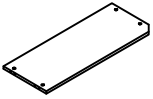
www.mayline.com

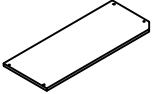
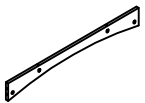
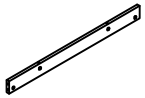
PARTS LIST

Name	Part	Qty.	Spare Qty	Name	Part	Qty.	Spare Qty
A	 REALS004 Wood Dowel	16	1	G	 REALS009 Shelf Support	12	1
B	 REALS001 Cam Lock	20	1	H	 REALBY009 M3.5 x 14mm Black	20	1
C	 REALS003 Cam Post	20	1	K	 REALBY028 Wrench	1	
D	 REALS102** Cam Sticker	20	1	L	 ANTI-TILT SYSTEM PACK	1	
E	 REALBY018 Leveler (50H)	4		Y	 Ø3X16mm	22	2
F	 REALS104 Grommet 35mm	1			 BTBSHB		
F1	 REALS230** Cap	4	1				

Items with HB are in hardware box.
**Denotes Color Code

PARTS LIST

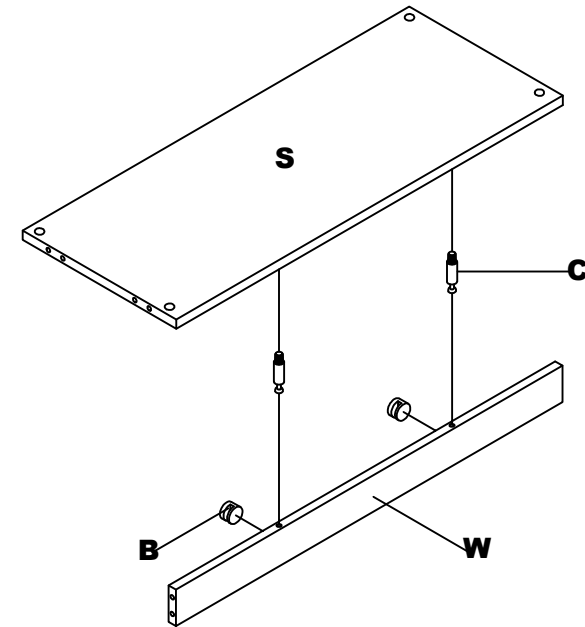
Name	Part	Qty.
N	 BTBS36N** Top	1
P	 BTB5S36P** Left Side Panel	1
Q	 BTB5S36Q** Right Side Panel	1
R	 BTB5S36R** Back Panel	1
S	 BTBS36S** Bottom	1
T	 BTBS36T** Fixed Shelf	1

Name	Part	Qty.
U	 BTBS36U** Adjustable Shelf	3
V	 BTBS36V** Fascia	1
W	 BTBS36W** Toe Kick	1

**Denotes Color Code

2

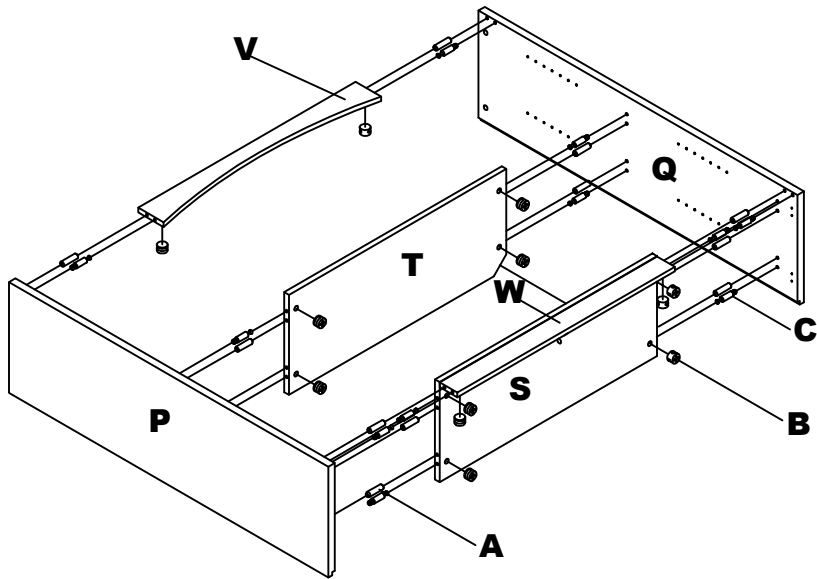
- 1 Install Cam Post (C) in to the underside of the Bottom (S) and the backside of the Toe Kick (W). Fasten the Toe Kick (W), Bottom (S) by turning Cams (B).



NOTE: The arrow on the face of the Cam (B) should point towards the Cam Post (C) for proper alignment.

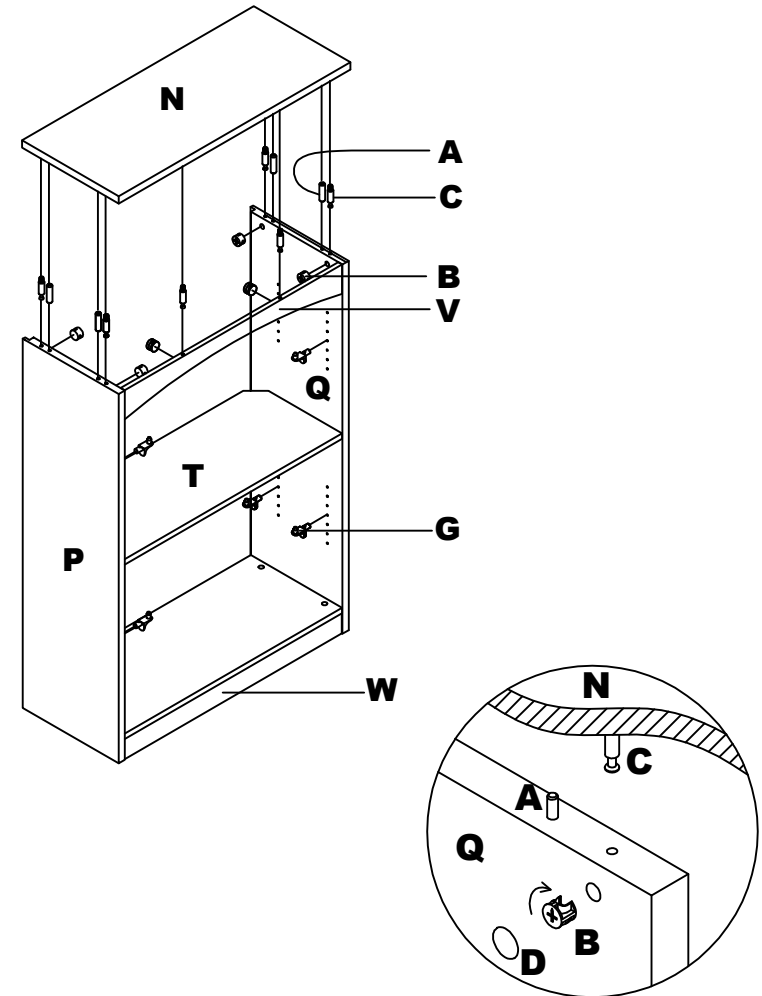
3

- 2** Insert Dowels (A) and Cams (B) into Fascia (V), Fixed Shelf (T), Bottom (S), Toe Kick (W) . Install Cam Posts (C) into the Side Panels (P & Q). Fasten Side Panels (P & Q) to Fascia (V), Fixed Shelf (T), Bottom (S), Toe Kick (W) by turning Cams (B).



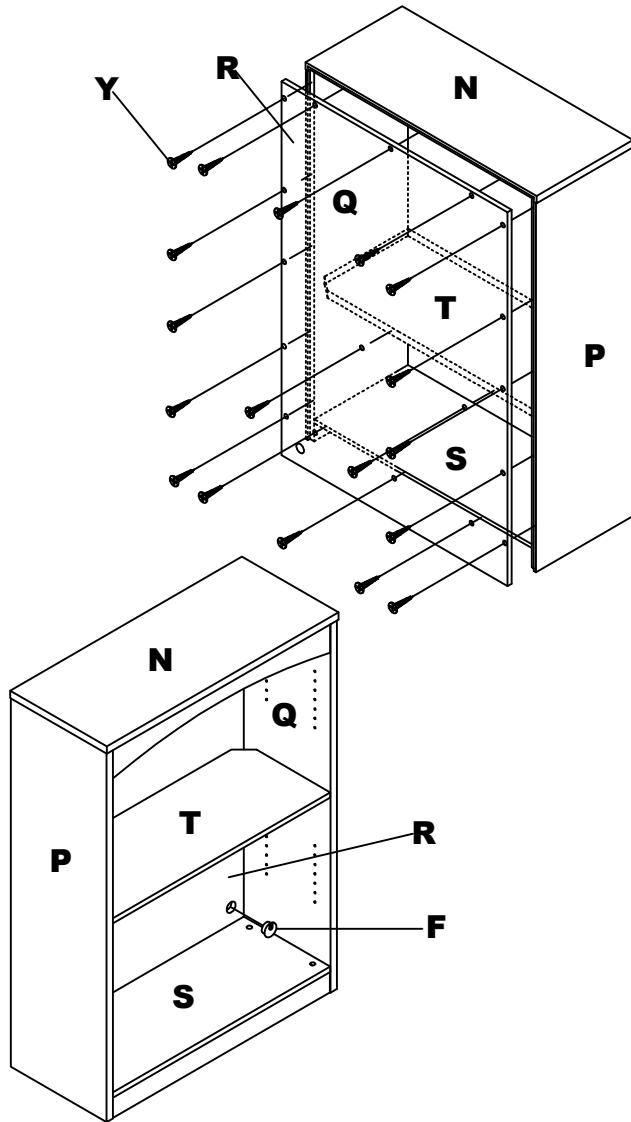
4

- 3** Insert Dowels (A) and Cams (B) into Fascia (V), Install Cam Posts (C) into the Top (N). Fasten Top (N) to Side Panels (P & Q), Fascia (V) by turning Cams (B). Insert Shelf Supports (G) into the Side Panels (P & Q) at the desired height. Adhere the Cam Stickers (D) to exposed Cams (B).



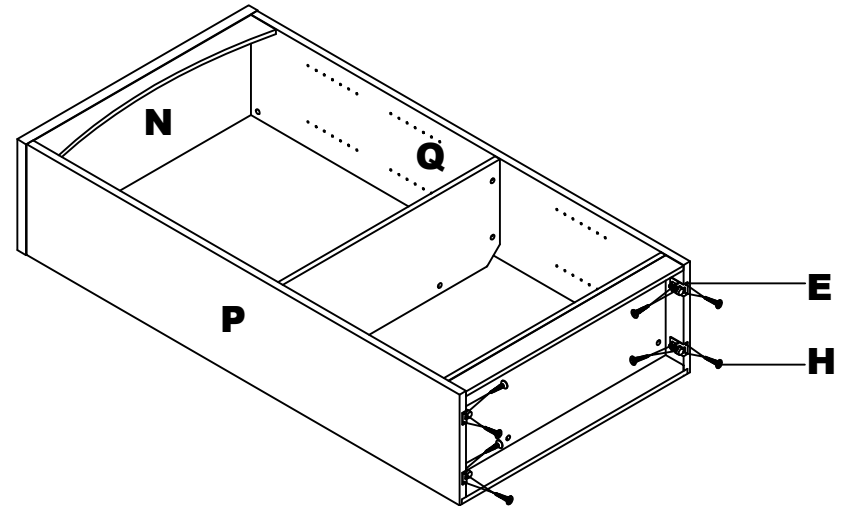
5

- ④ Attach the Back Panel (R) to Top (N), the Side Panels (P & Q), Fixed Shelf (T) and Bottom (S) using Screws (Y). Insert Grommets (F) into the Back Panel (R).



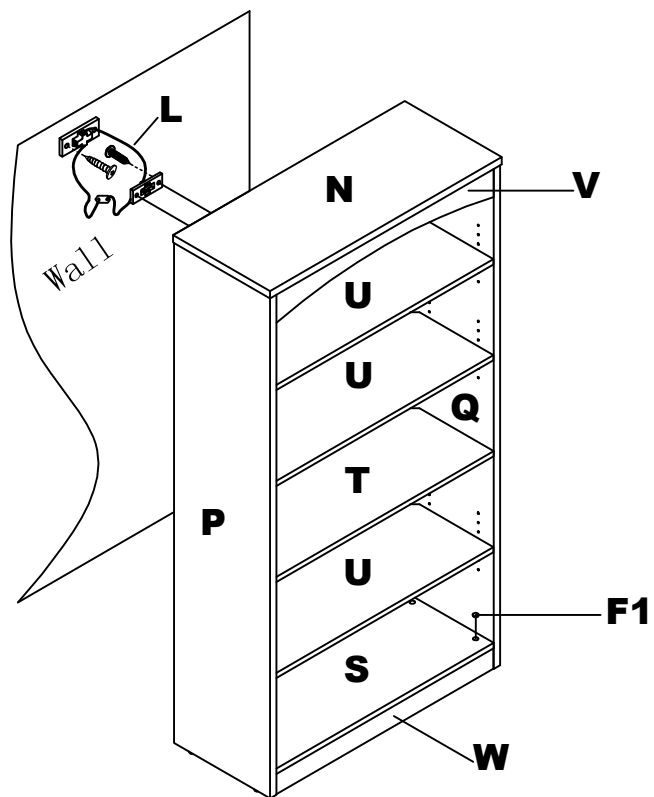
6

- ⑤ Attach Leveler Assembly (E) to the Side Panels (P & Q) using Screws (H).

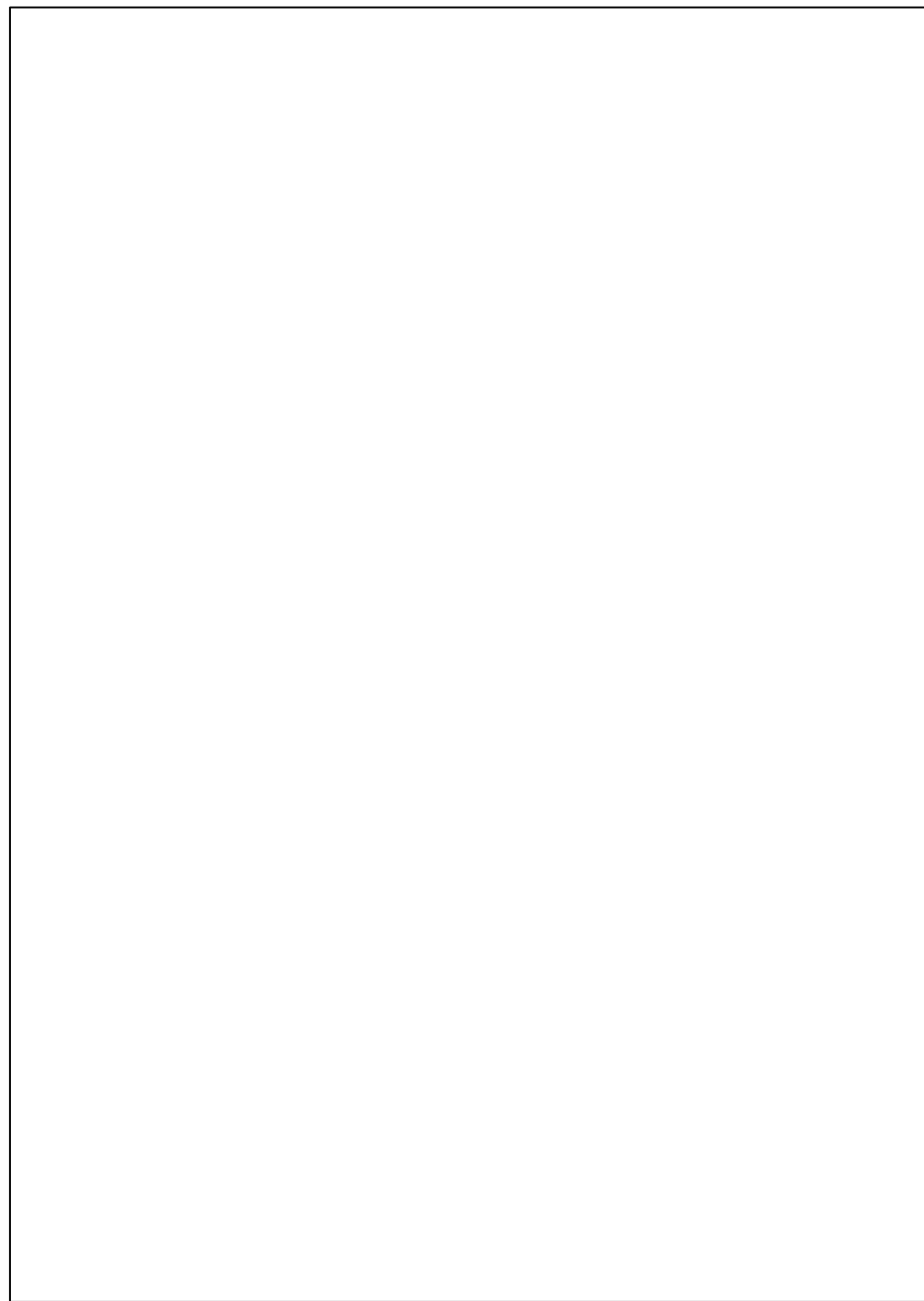


7

- 6** Place Bookcase at desired location and level Bookcase using Wrench (K). Adhere the Cam Stickers (D) to Leveler access holes in Bottom (S). Install Adjustable Shelves (U). Install Bookcase to wall by ANTI-TILT SYSTEM (L) if necessary



8



9