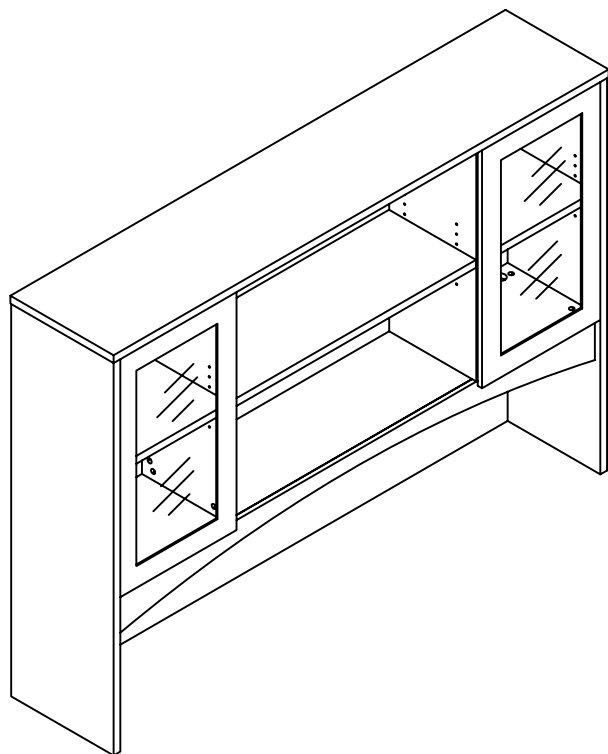


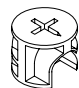

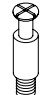





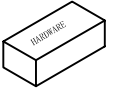


Brighton Series™
Hutch w/Glass Doors
Model No. BTDHG72



ASSEMBLY INSTRUCTIONS
CALL 1-800-822-8037 FOR ASSISTANCE

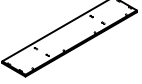


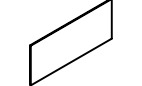

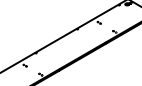
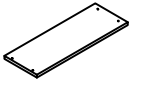
PARTS LIST


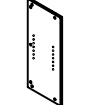
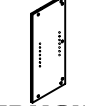


Name	Part	Qty.	Spare Qty	Name	Part	Qty.	Spare Qty
A	 REALS004 Wood Dowel	30	1	F	 REALBY009 M3.5 x 14mm Black	8	1
B	 REALS001 Cam Lock	30	1	G	 REALBY025 Z Bracket	2	
C	 REALS003 Cam Post	30	1	H	 REALS009 Shelf Support	12	1
D	 REALS230** Cam Sticker	30	1	J	 REALBY034 Bumper	4	1
E	 REALS104 Grommet 35mm	4		K	 REALS046 Ø4 x 25	4	1
	 BTDHGHB						

Items with HB are in hardware box.

**Denotes Color Code

PARTS LIST

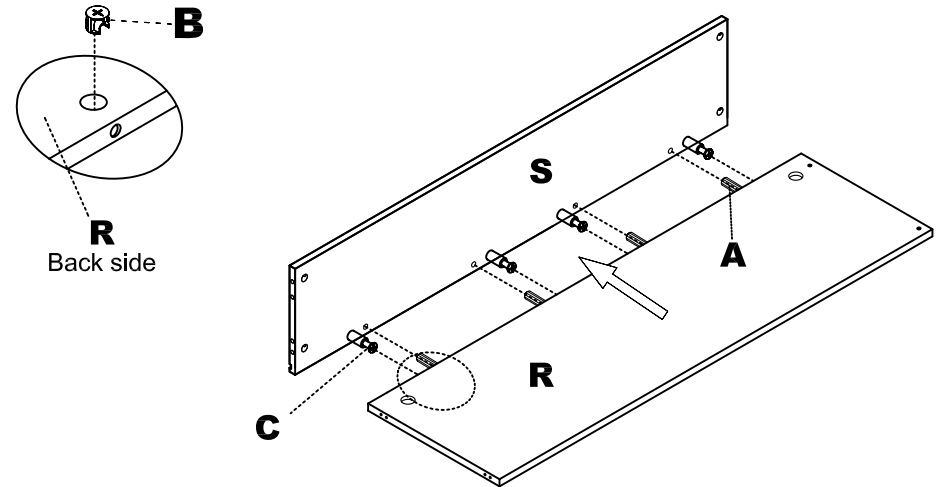
Name	Part	Qty.
M	 BTDHG72M** Top	1
N	 BTDHGN** Left Side Panel	1
P	 BTDHGP** Right Side Panel	1
Q	 BTDHG72Q** Upper Back Panel	1
R	 BTDHG72R** Lower Back Panel	1
S	 BTDHG72S** Bottom	1
T	 BTDHG72T** Center Shelf	1

Name	Part	Qty.
U	 BTDHG72U** Outside Shelf	2
V	 BTDHGV** Left Interior Divider	1
W	 BTDHGW** Right Interior Divider	1
X	 BTDHG72X** Front Fascia	1
Y	 BTDHG72DS** Door	2

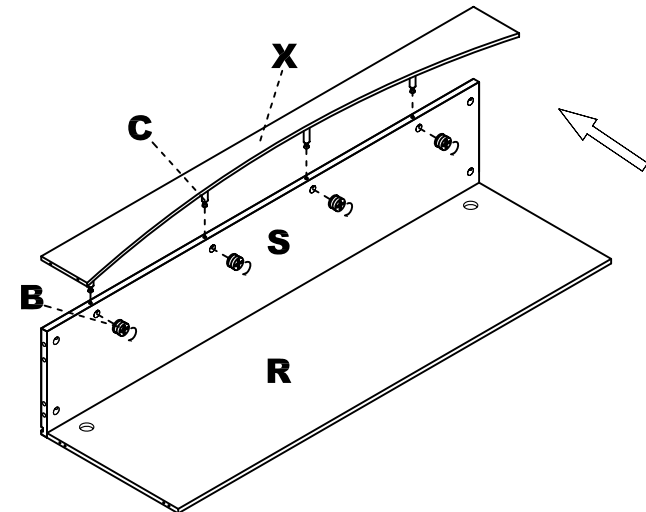
**Denotes Color Code

2

- 1** Install Cam Posts (C) into Bottom (S). Insert Wood Dowels (A) into top of the Back Panel (R). Insert Cams (B) into the of the back side of Back Panel (R). Fasten Bottom (S) and Back panel (R) by turning Cams (B).



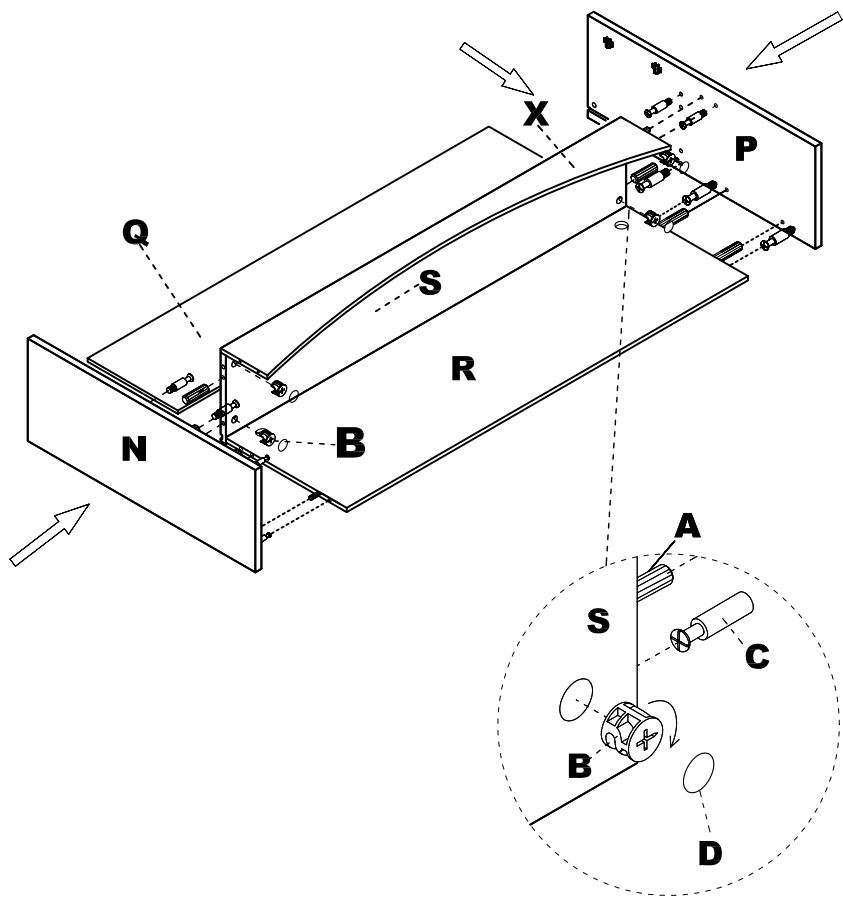
- 2** Install Cam Posts (C) into Front Fascia(X). Insert Cams (B) into the of the back side of Bottom (S). Fasten Bottom (S) and Front Fascia (X) by turning Cams (B).



NOTE: The arrow on the face of the Cam (B) should point towards the Cam Post (C) for proper alignment.

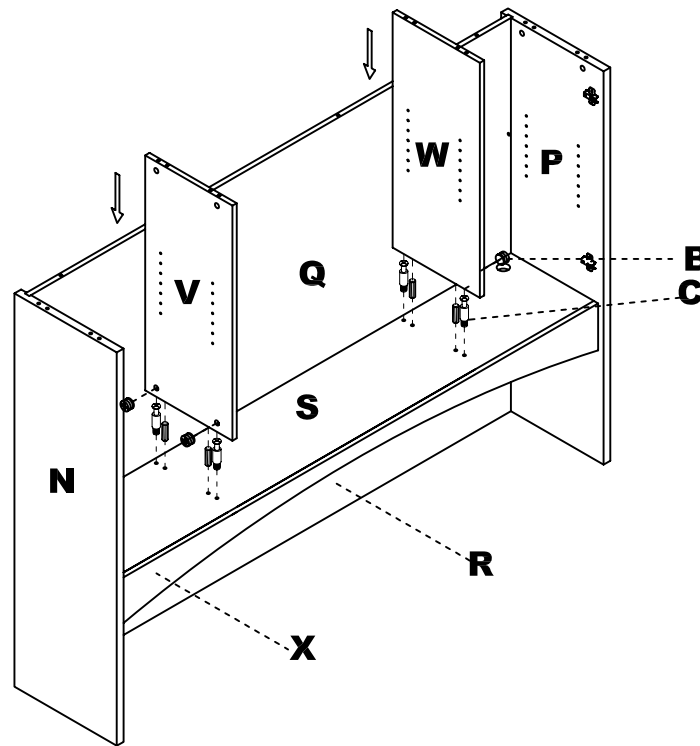
3

- 3** Install Cam Posts (C) into threaded inserts in Side Panels (N, P). Insert Wood Dowels (A) and Cams (B) into the end of the Bottom (S), Front Fascia (X) and Back Panel (R). Slide Side Panels (N, P) into position with Back Panels (Q, R) inserting into the groove in the Side Panels (N, P). Fasten Side Panels (N, P), Front Fascia (X) and Bottom (S) by turning Cams (B).



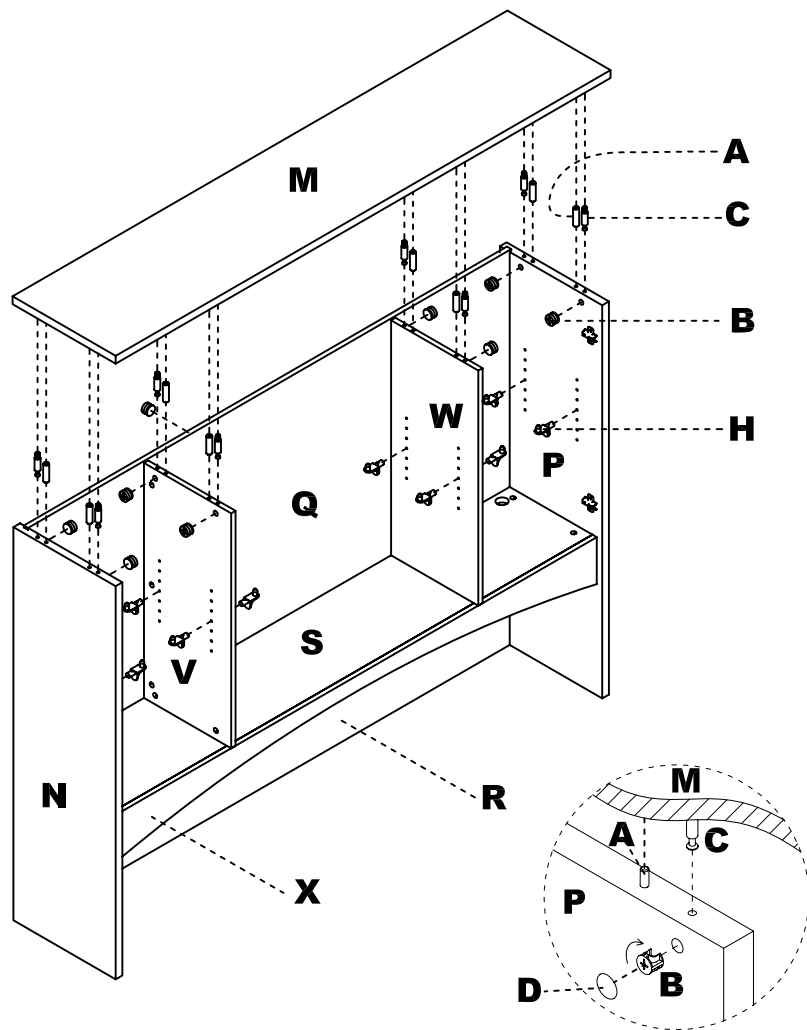
4

- 4** Stand unit in upright position. Install Cam Posts (C) into threaded inserts in Bottom (S). Insert Cams (B) into the Left and Right Interior Dividers (V & W), Insert Wood Dowels (A) in the Left and Right Interior Dividers (V & W). Fasten the Left and Right Interior Dividers (V & W) to Bottom (S) by turning Cams (B).



5

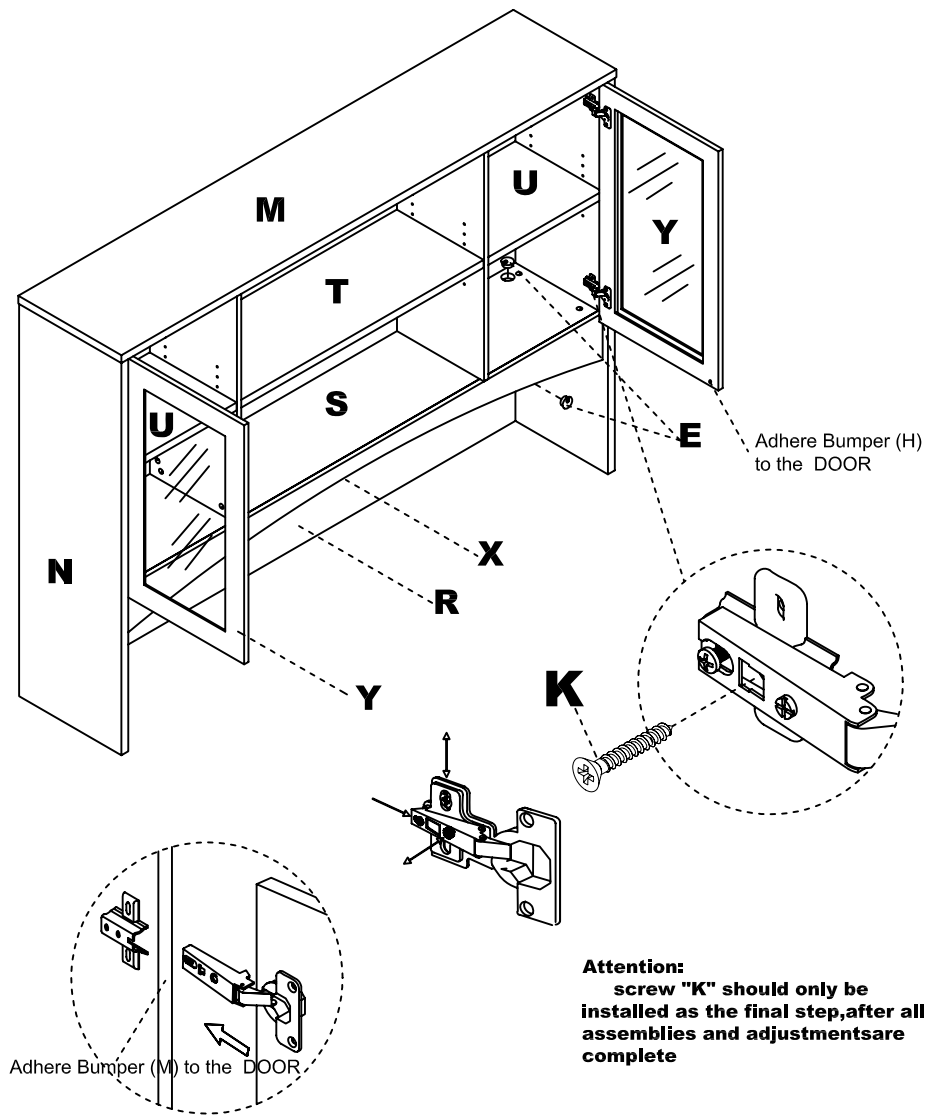
- 5** Install Cam Posts (C) into threaded inserts in Top (M). Insert Wood Dowels (A) into Interior Divider (V & W) and Side Panels (N & P). Insert Cams (B) into Side Panels (N & P) and Interior Divider (V & W). Attach Top (M) by turning Cams (B). Apply Cam Stickers (D) over Cams (B).



6

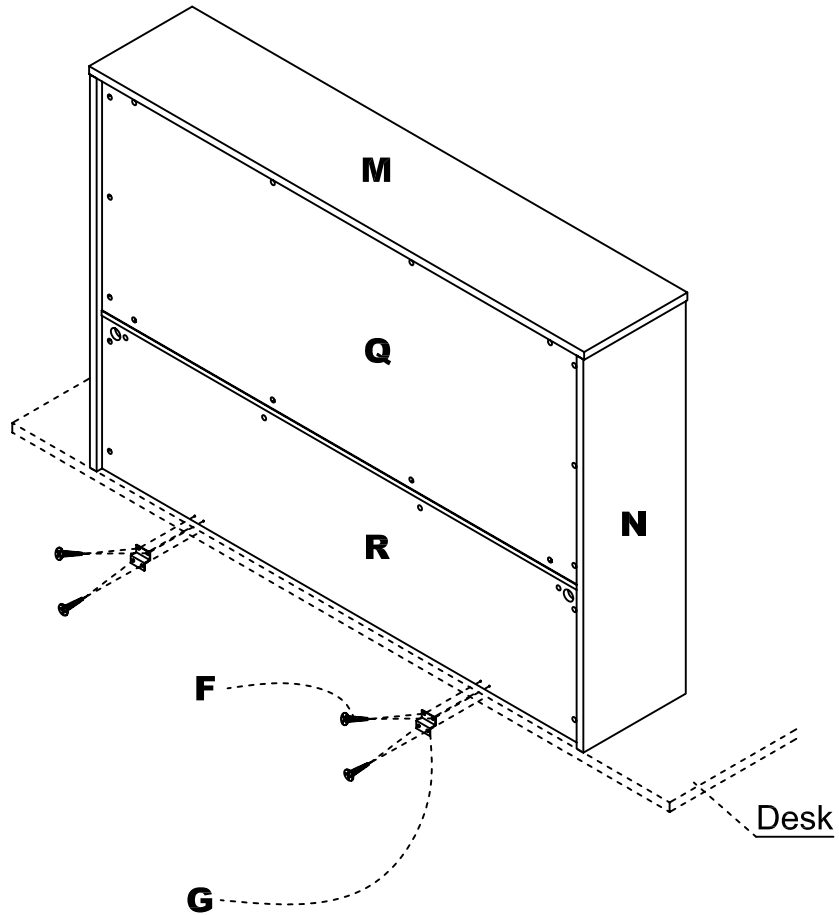
- 6** Insert Grommets (E) into Bottom (S) and Lower Back Panel (R). Install Doors (Y & Z) onto cabinet.

Adjust door alignment as necessary by using the adjustment screws on the hinges. DO NOT use a power driver for adjusting hinges.



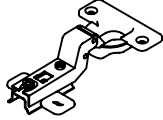



7

- 7 Place assembled Hutch onto Desk at desired location. Attach Z Bracket (G) to Lower Back Panel (R) and Desk using Screws (F).



8

Pre-installed Replacement Parts List

Part	Included Qty.	Part	Included Qty.
 REALBY037 Hinge - Tall	4	 REALS018 M4 x 14mm Silver	17
 REALS204 Foam Tape	2	 REALS247 Bumper	4

9