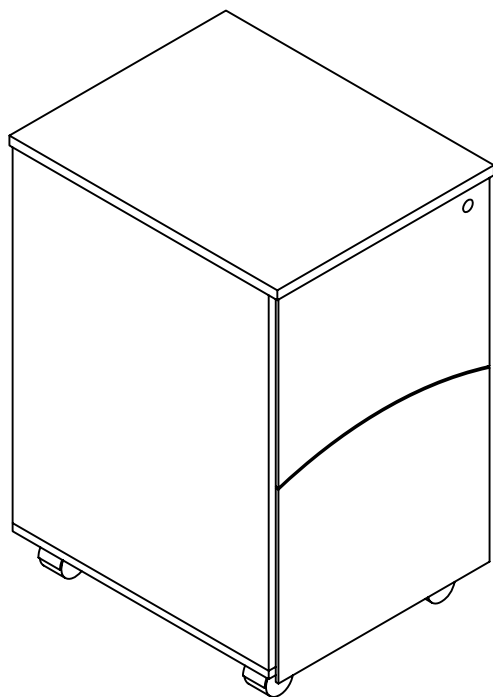


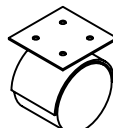



Brighton Series™
 Mobile Pedestal
 Model No. BTFF20M



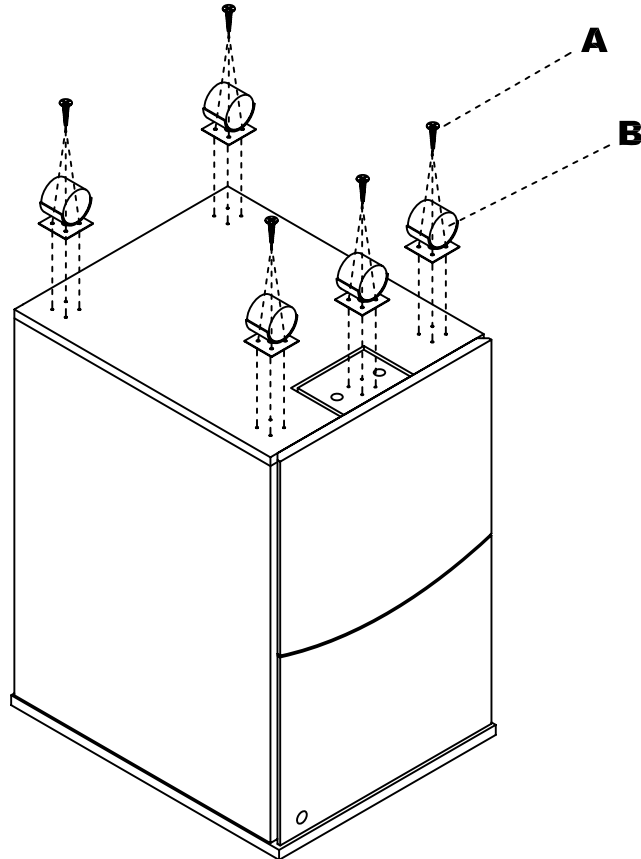
ASSEMBLY INSTRUCTIONS
CALL 1-800-822-8037 FOR ASSISTANCE

PARTS LIST

Name	Part	Qty.	Spare Qty	Name	Part	Qty.	Spare Qty
A	 REALBY010 M4 x 14mm HB	20	1	C	 Keys		
B	 REALS027 Caster HB	5			 BTMPHB		

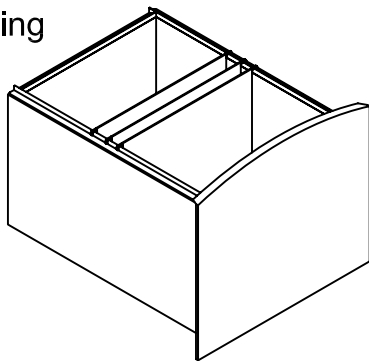
Items with HB are in hardware box.

① Attach Casters (B) to underside of Pedestal using Screws (A).

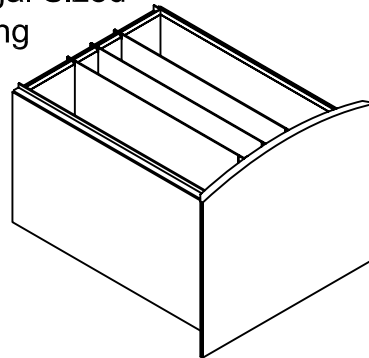


② Use Drawer sides for letter size filing and legal size filing only.




Letter Sized Filing



Legal Sized Filing



Pre-Installed Replacement Parts List

Part	Included Qty.	Part	Included Qty.
 REALS054 16" Drawer Slide	2	 REALBY011 M3.5*14	34
 BTFFDF** Drawer Fronts, Set of 2	1		

**Denotes Color Code