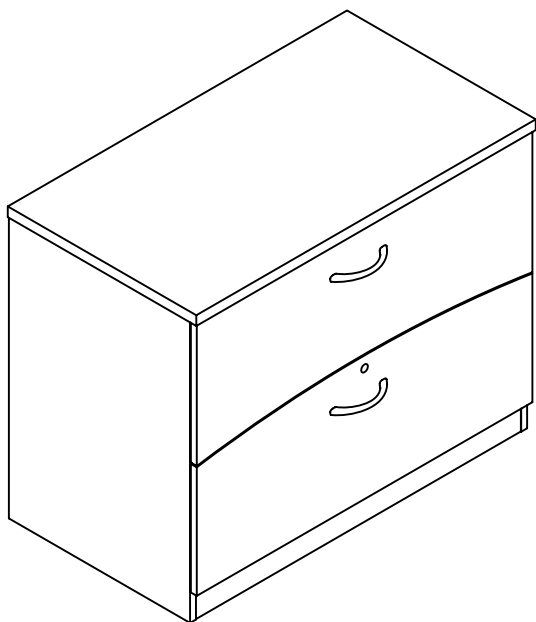



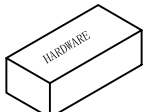


Brighton Series™  
 Freestanding Lateral file  
 Model No. BTFLF36



**ASSEMBLY INSTRUCTIONS**  
**CALL 1-800-822-8037 FOR ASSISTANCE**

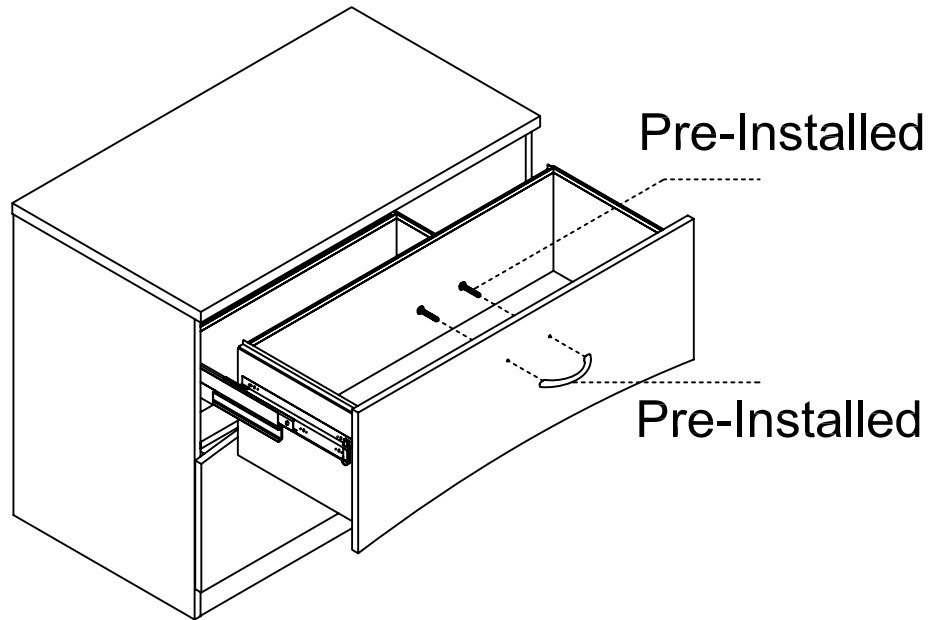
# PARTS LIST

Name	Part	Qty.	Spare Qty	Name	Part	Qty.	Spare Qty
<b>A</b>	 <b>REALBY012</b> M4 x 35mm	<b>3</b>	<b>1</b>		 <b>KEYS</b>		
<b>B</b>	 <b>REALBY028</b> Wrench	<b>1</b>			 <b>BTFLFHB</b>		

Items with HB are in hardware box.

\*\*Denotes Color Code

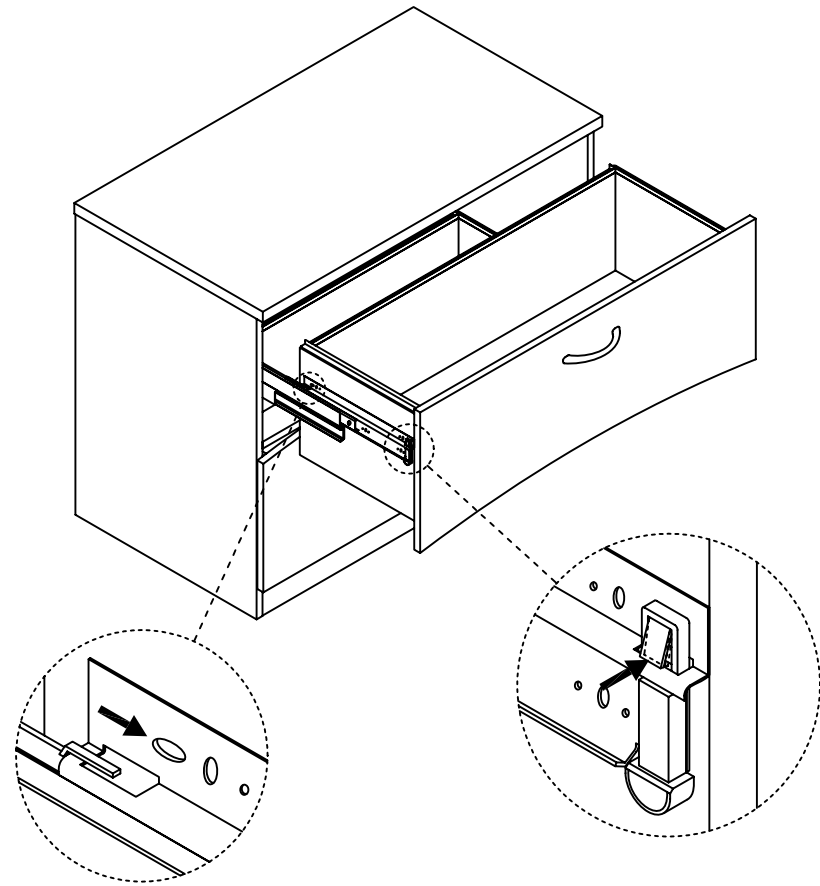
- 1** Attach handles to the drawer front and screw it from behind the drawer front



**2**

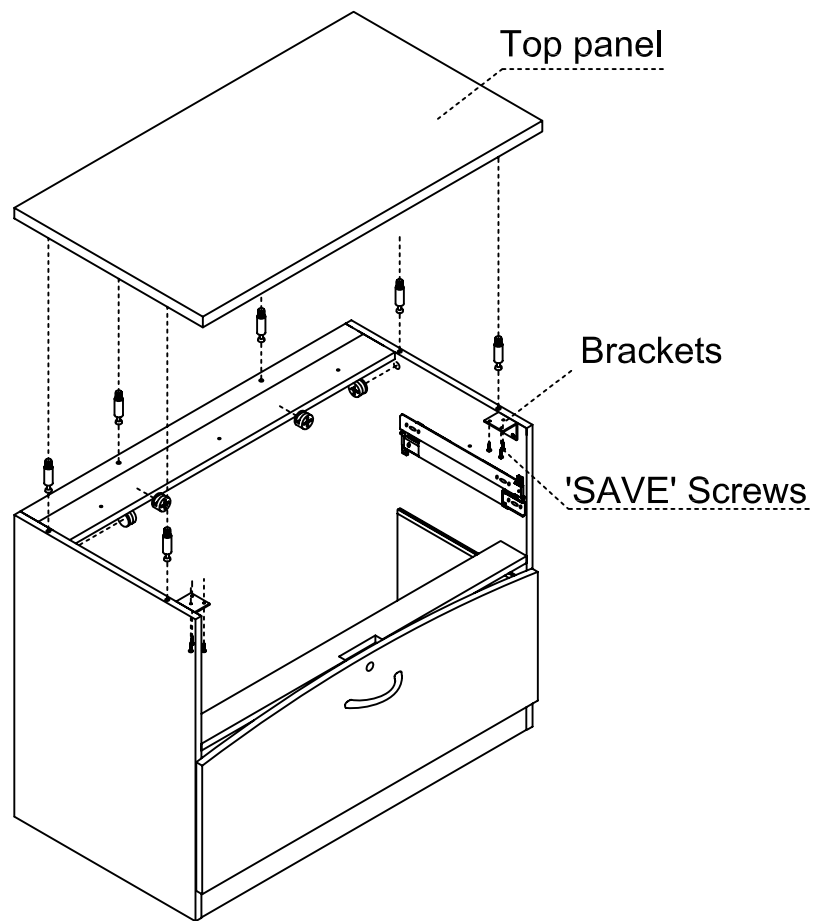
Optional Steps for using Lateral File under a Desk or Credenza.

- 2** Remove top drawer from Lateral File by depressing the plastic tabs and pulling the drawer out of the cabinet.



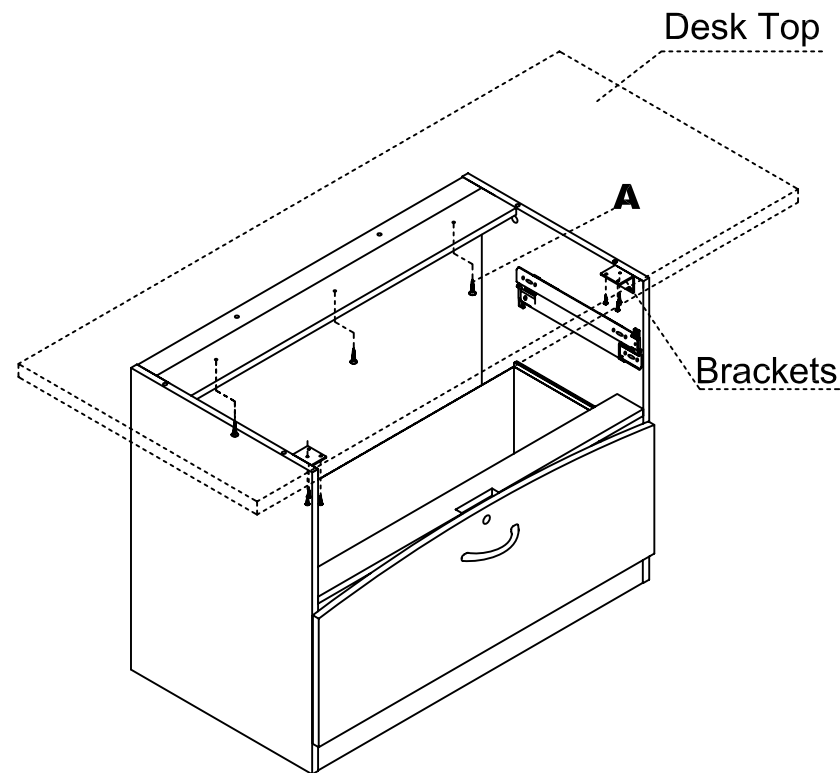
**3**

- ③ Loosen the Cams near top of the side panels and back. Remove and **SAVE** the top mounting Screws from Brackets. Lift the Top off the cabinet.



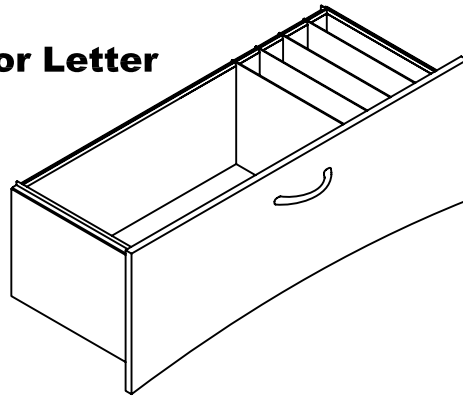
4

- ④ Slide Cabinet under Desk or Credenza and fasten to the underside using Screws (A) through rear cross member. Fasten to underside through brackets using screws saved in Step #3.

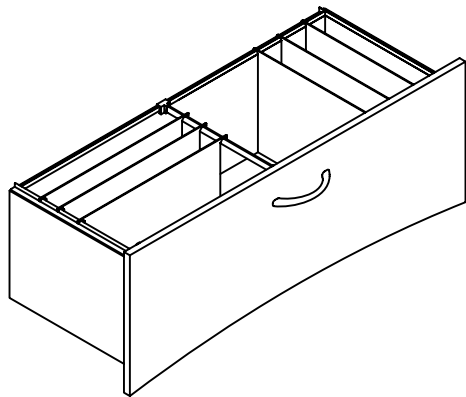


5

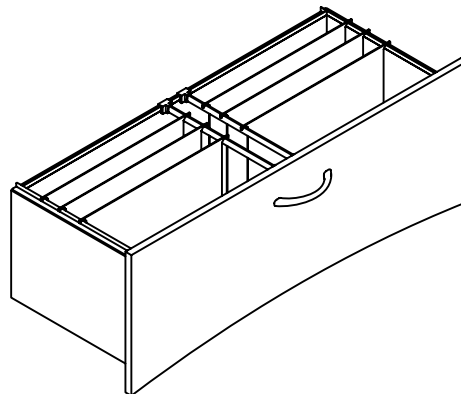
**No filing bars required for Letter sized hanging folders.**




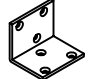





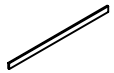

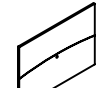


**One filing bar for combination of Letter and Legal sized hanging folders.**



**Two filing bars for Legal sized hanging folders.**



## Pre-Installed Replacement Parts List

Part	Included Qty.	Part	Included Qty.
 <b>REALBY039</b> Drawer Slide 14" - Pair	2	 <b>REALS202</b> L Bracket	<b>2</b>
 <b>REALBY043</b> Lockpin	1	 <b>REALBY009</b> M3.5 x 14mm Black	84
 <b>REALBY044</b> Lockpin	1	 <b>REALBY029</b> File Bar Clip	8
 <b>REALBY048</b> Drawer Interlock	1	 <b>REALBY031</b> File Bar	4
 <b>REALBY018</b> Leveler (50H)	4	 <b>BTFLF36DF**</b> Drawer Fronts, Set of 2	1
 <b>REALBY026</b> Handle 128mm	<b>2</b>	 M4 x 35mm	<b>4</b>

\*\*Denotes Color Code