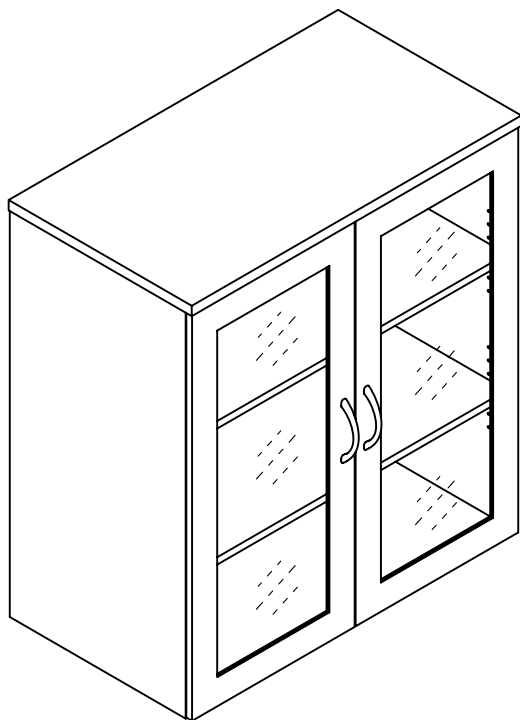
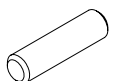
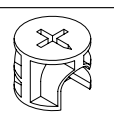
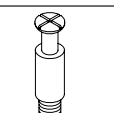
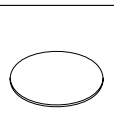
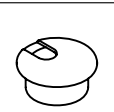
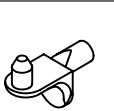






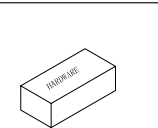
Brighton Series™
Glass Display Cabinet
Model No. BTGDC



ASSEMBLY INSTRUCTIONS
CALL 1-800-822-8037 FOR ASSISTANCE

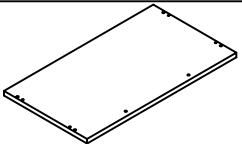
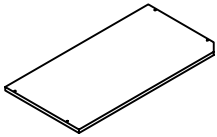
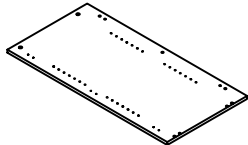
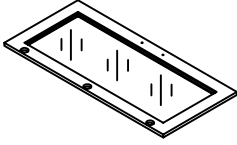
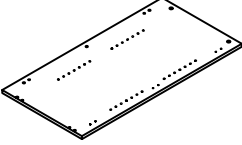
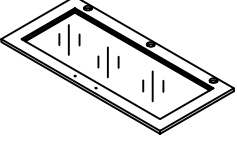
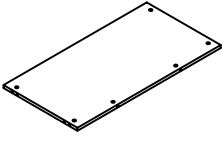
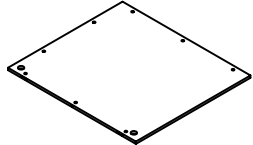
PARTS LIST

Name	Part	Qty.	Spare Qty
A	 REALS004 Wood Dowel	12	1
B	 REALS001 Cam	18	1
C	 REALS002 Cam Post	18	1
D	 REALS005** Cam Sticker	18	1
E	 REALBY016 GROMMET Ø35	1	
F	 REALS021 Shelf Support	8	1

Name	Part	Qty.	Spare Qty
G	 REALBY026 Handle	2	
H	 REALBY027 M4 x 22mm	4	1
I	 REALBY034 Bumper	6	1
J	 REALS046 Ø4 x 25	6	1
	 BTSCHB		

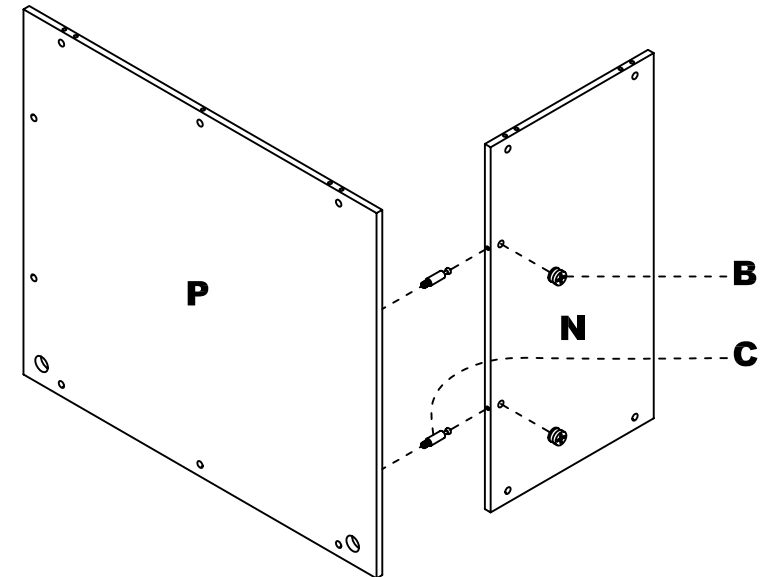
Items with HB are in hardware box.
**Denotes Color Code

PARTS LIST

Name	Part	Qty.	Name	Part	Qty.
K	 BTGDCK** Top	1	Q	 BTGDCQ** Shelf	2
L	 BTGDCL** Left Side Panel	1	R	 BTGDCR** Right Door	1
M	 BTGDCM** Right Side Panel	1	S	 BTGDSC** Left Door	1
N	 BTGDCN** Bottom Panel	1	**Denotes Color Code		
P	 BTGDPC** Back Panel	1			

2

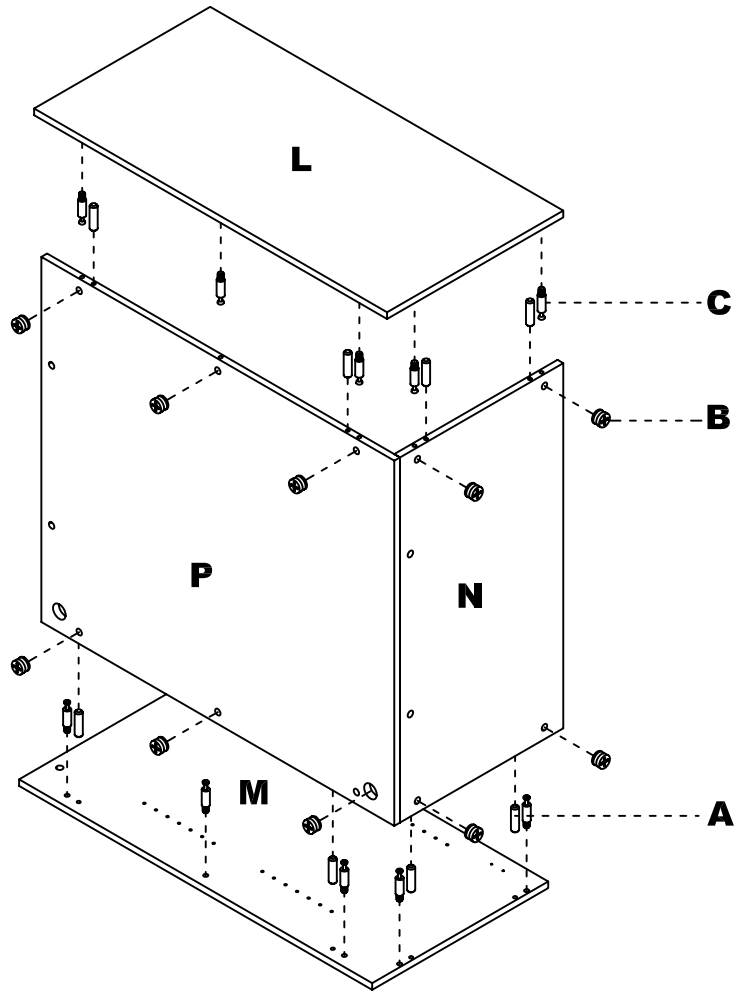
- 1** Install Cam Posts (C) in to the Back Panel (P). Insert Cams (B) in the underside of the Bottom Panel (N). Fasten Back Panel (P) and Bottom Panel (N) together by turning cams. Adhere Cam Stickers (D) to Cams (B).



NOTE: The arrow on the face of the Cam (B) should point towards the Cam Post (C) for proper alignment.

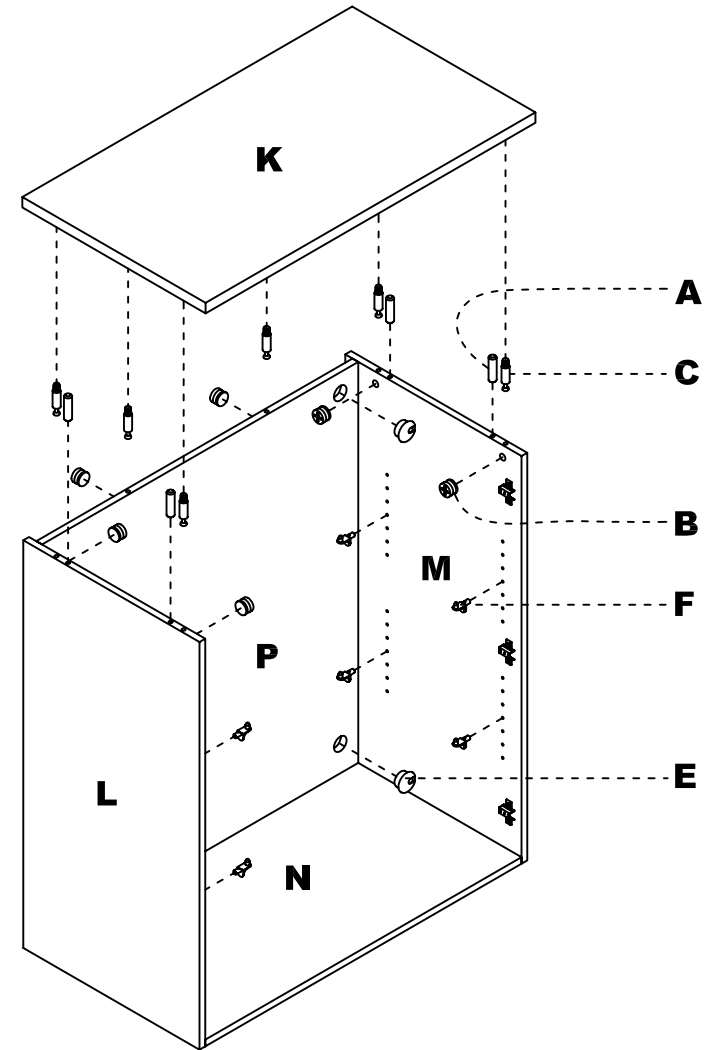
3

- 2** Install Cam Posts (C) into Side Panels (L & M). Insert Dowels (A) and Cams (B) into the Back and Bottom Panels (N & P). Secure Side Panels (L & M) to the Bottom and Back Panels (N & P). Adhere Cam Stickers (D) to Cams (B).



4

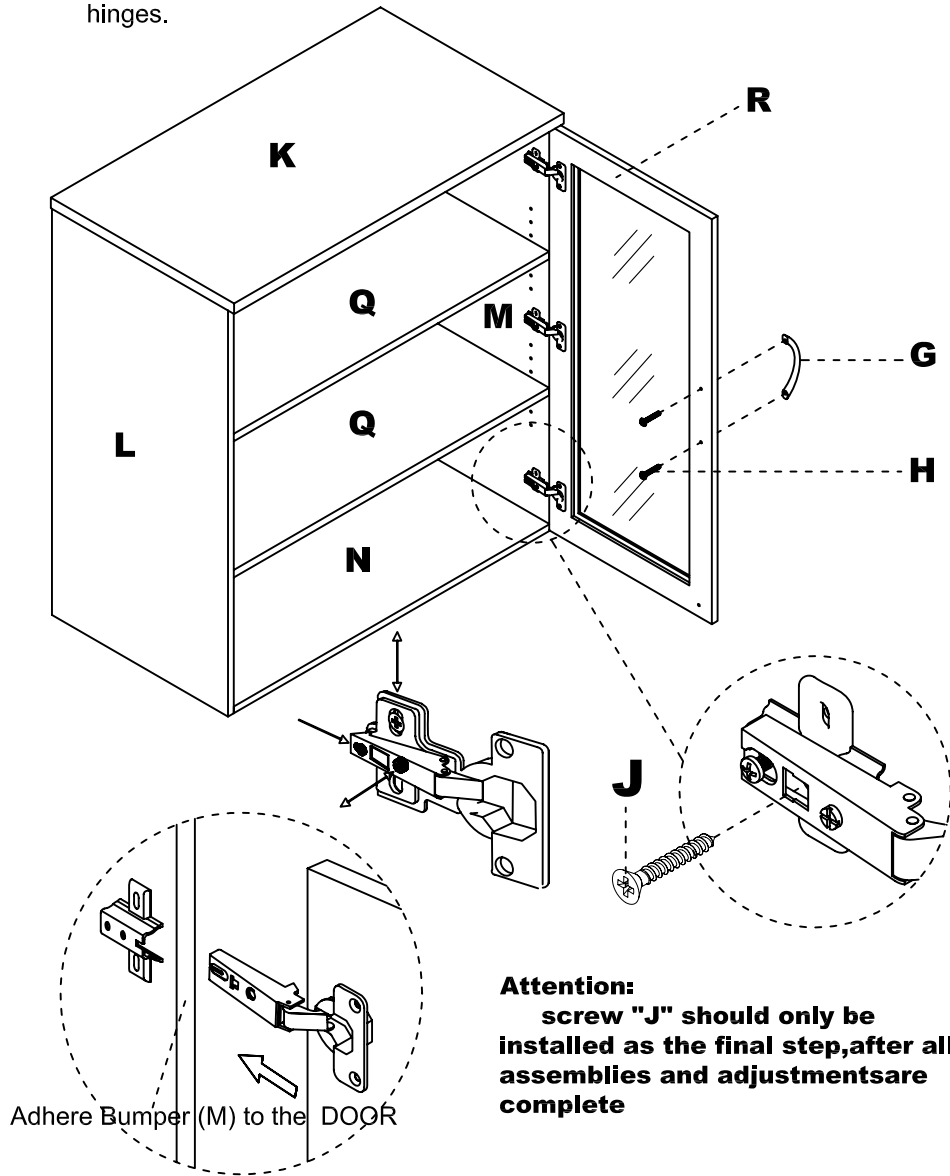
- 3** Install Cam Posts (C) into Top (K). Insert Dowels (A) and Cams (B) into the top of the Side and Back Panels (L, M & P). Secure Top (K) to cabinet body by turning Cams (B). Adhere Cam Stickers (D) to Cams (B).



5

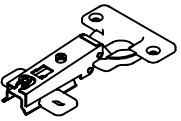


- 4** Install Handle (G) to Doors (R & S) using screws (H). Install Doors (R & S) onto cabinet.

Adjust door alignment as necessary by using the adjustment screws on the hinges.



6

Pre-Installed Replacement Parts List

Part	Included Qty.	Part	Included Qty.
 REALBY035 Hinge - Straight	6	 REALBY010 M4*14 Silver	26
 REALS204 Foam Tape	2		

7