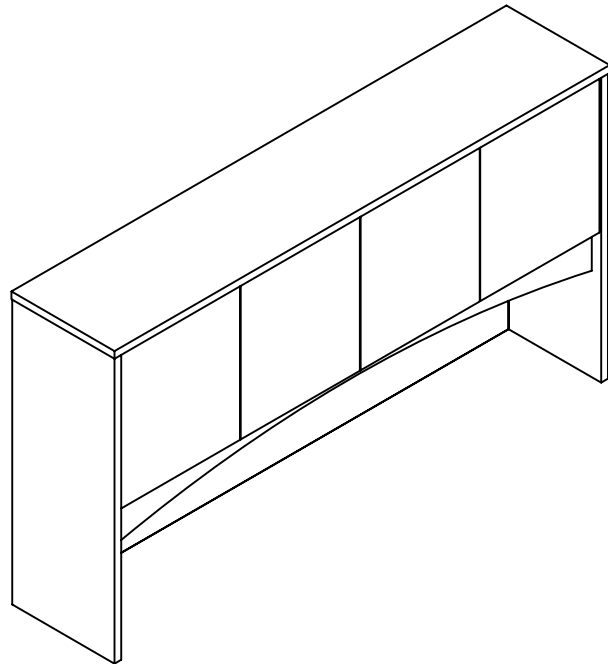


Brighton Series™

Hutch w/Wood Doors

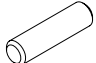



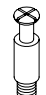




Model No. BTHW72, BTHW66, BTHW60



ASSEMBLY INSTRUCTIONS

CALL 1-800-822-8037 FOR ASSISTANCE


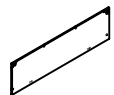
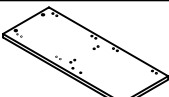


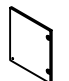
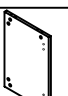
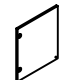
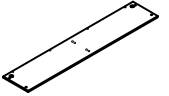
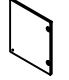
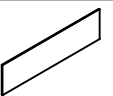
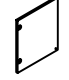
PARTS LIST

Name	Part	Qty.	Spare Qty	Name	Part	Qty.	Spare Qty
A	 REALS004 Wood Dowel	18	1	E	 REALBY016 Grommet 35mm	4	
B	 REALS001 Cam Lock	26	1	F	 REALBY009 M3.5 x 14mm Black	8	1
C	 REALS003 Cam Post	26	1	G	 REALBY025 Z Bracket	2	
D	 REALBY005** Cam Sticker	26	1	H	 REALBY034 Bumper	4	
	 BTHWHB						

Items with HB are in hardware box.

**Denotes Color Code

PARTS LIST

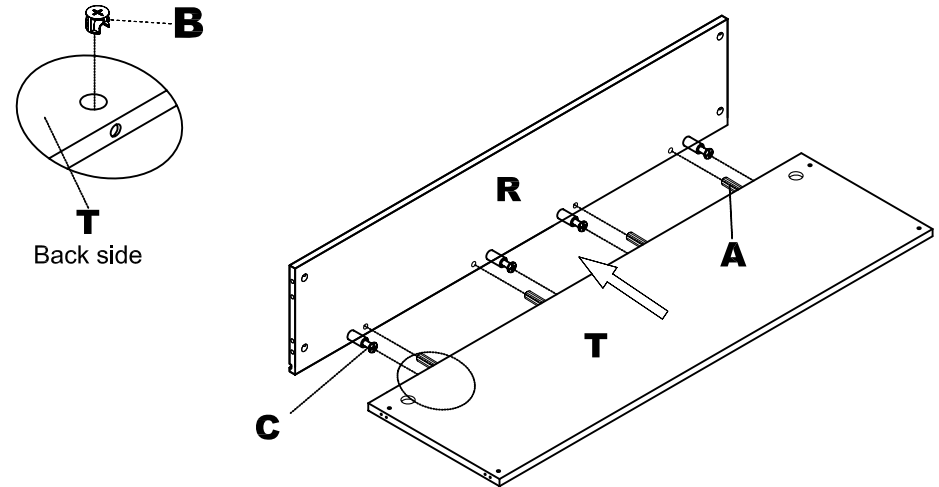
Name	Part	Qty.	Name	Part	Qty.
M	 BTHW~~M** Top	1	T	 BTHW~~T** Lower Back Panel	1
N	 BTHWN** Left Side Panel	1	U	 BTHW~~U** Front Fascia	1
P	 BTHWP** Right Side Panel	1	V1*	 BTHW~~DS** Left Door	1
Q	 BTHWQ** Center Divider	1	V2*	 BTHW~~DS** Right Center Door	1
R	 BTHW~~R** Shelf	1	V3*	 BTHW~~DS** Left Center Door	1
S	 BTHW~~S** Upper Back Panel	1	V4*	 BTHW~~DS** Right Door	1

**Denotes Color Code
~~Denotes Size (72, 66, 60)

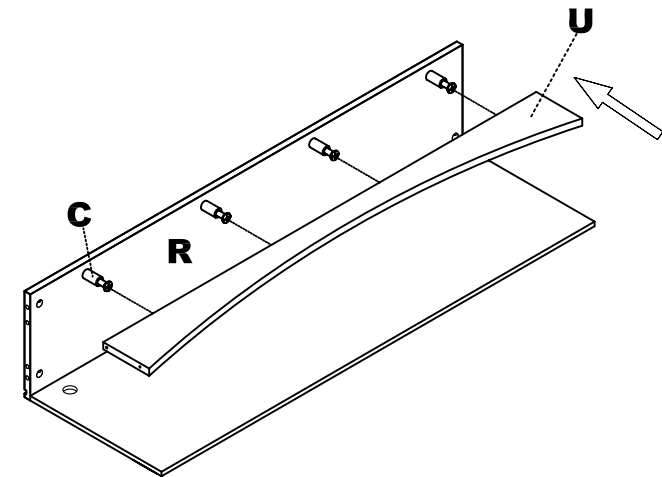
*NOTE: When ordering replacement doors (BTHW~~DS) you will get a set of 4 Doors (2 R.H. & 2 L.H.)

2

- 1** Install Cam Posts (C) into Shelf (R). Insert Wood Dowels (A) into top of the Back Panel (T). Insert Cams (B) into the of the back side of Back Panel (T). Fasten Shelf (R) and Back panel (T) by turning Cams (B).



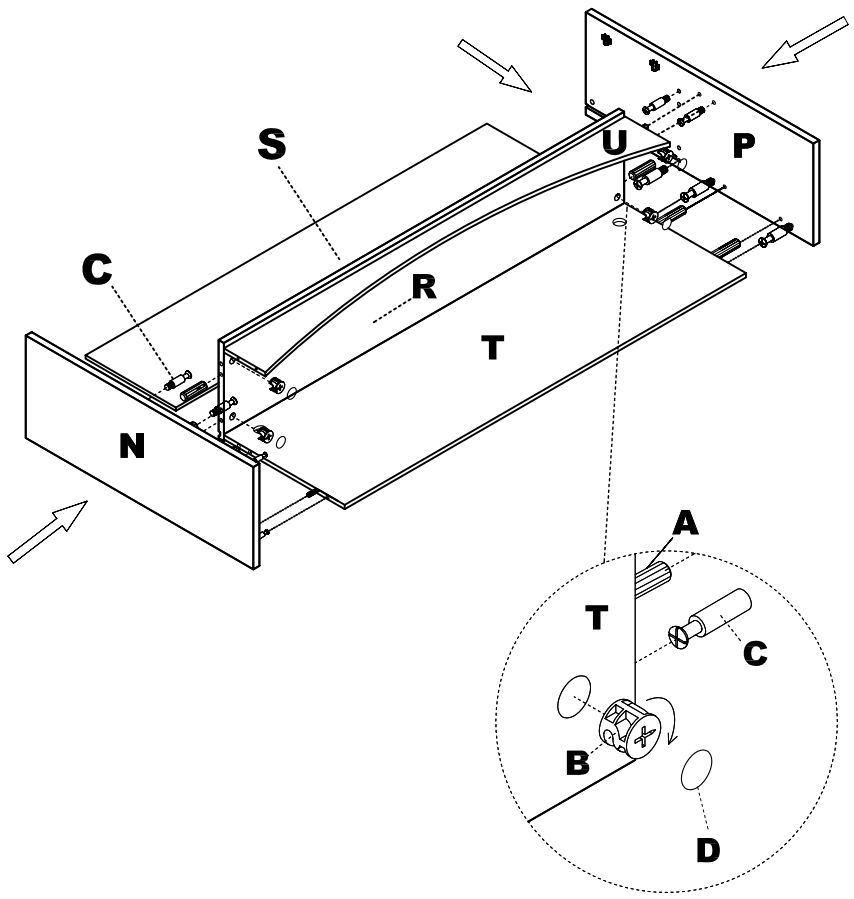
- 2** Install Cam Posts (C) into Front Fascia (U). Insert Cams (B) into the of the back side of Front Fascia(U). Fasten Shelf (R) and Front Fascia (U) by turning Cams (B).



NOTE: The arrow on the face of the Cam (B) should point towards the Cam Post (C) for proper alignment.

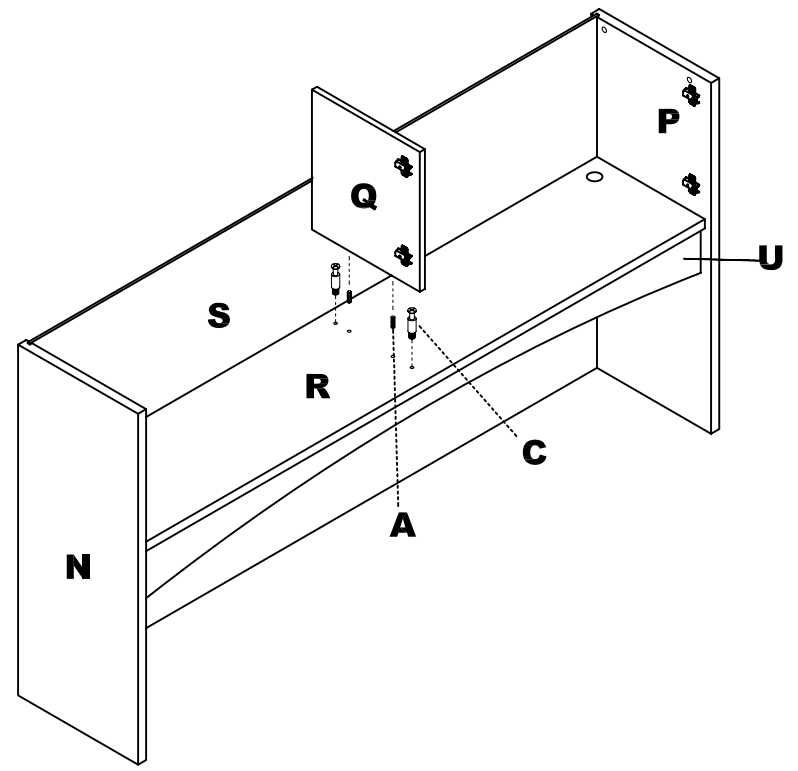
3

- 3** Install Cam Posts (C) into threaded inserts in Side Panels (N, P). Insert Wood Dowels (A) and Cams (B) into the end of the Shelf (R), Front Fascia (U) and Back Panel (T). Slide Side Panels (N, P) into position with Back Panels (S, T) inserting into the groove in the Side Panels (N, P). Fasten Side Panels (N, P), Front Fascia (U) and Shelf (R) by turning Cams (B).



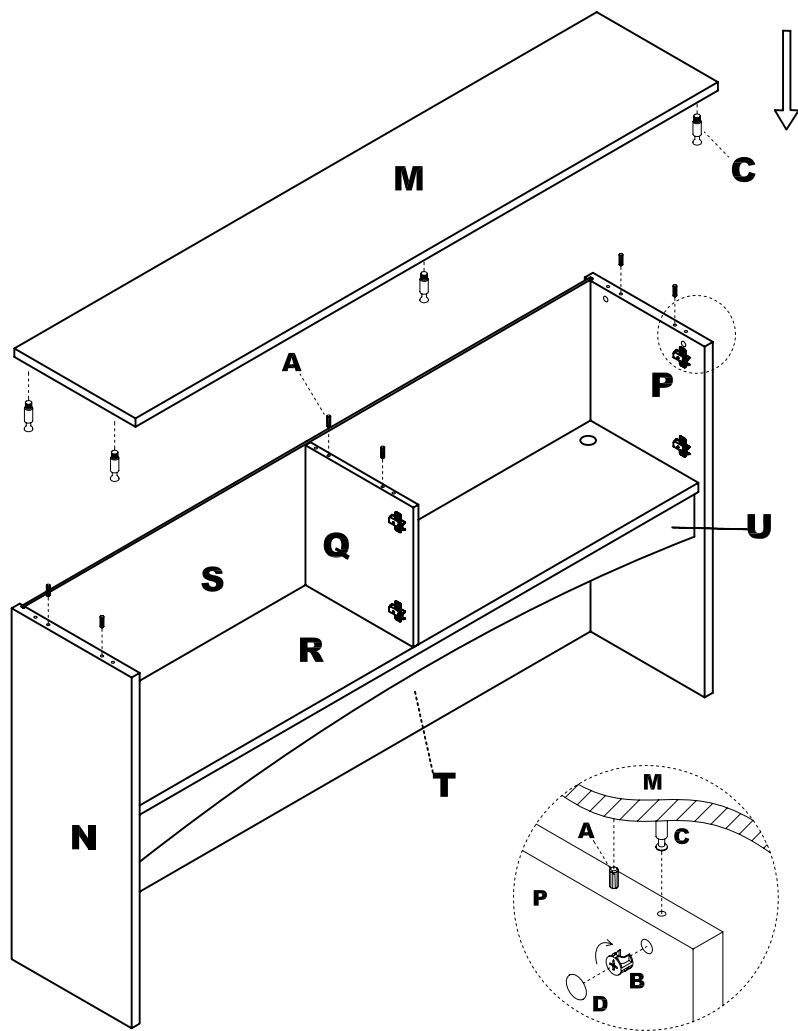
4

- 4** Stand unit in upright position. Install Cam Posts (C) into Shelf (R). Insert Dowels (A) and Cam (B) into the Center Divider (Q). Fasten Center Divider (S) to Shelf (R) by turning Cams (B).



5

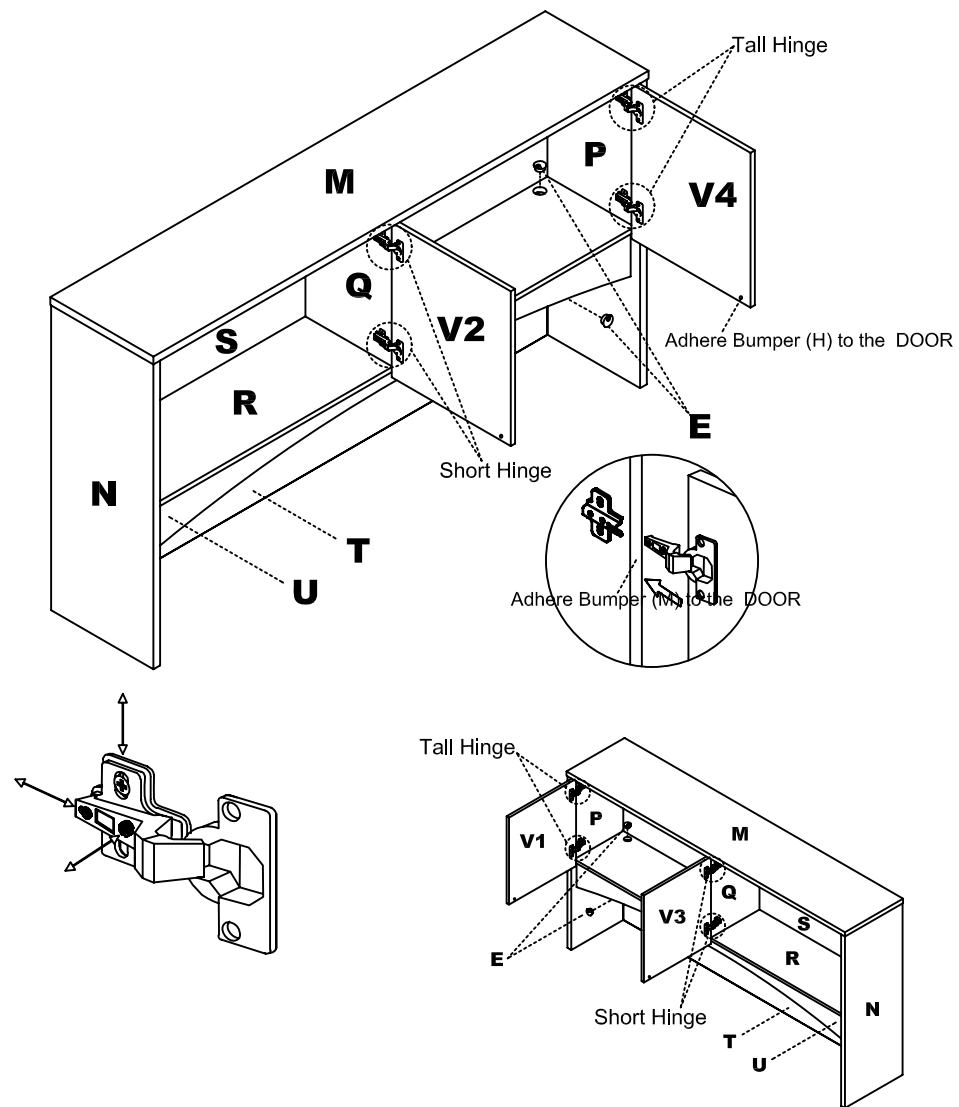
- 5** Install Cam Posts (C) into threaded inserts in the Top (M). Insert Wood Dowels (A) and Cams (B) into top of the End Panels (N, P) and Center Divider (Q). Place Top (M) onto base and fasten by turning Cams (C). Place Cam Stickers (D) onto Cams (B).



6

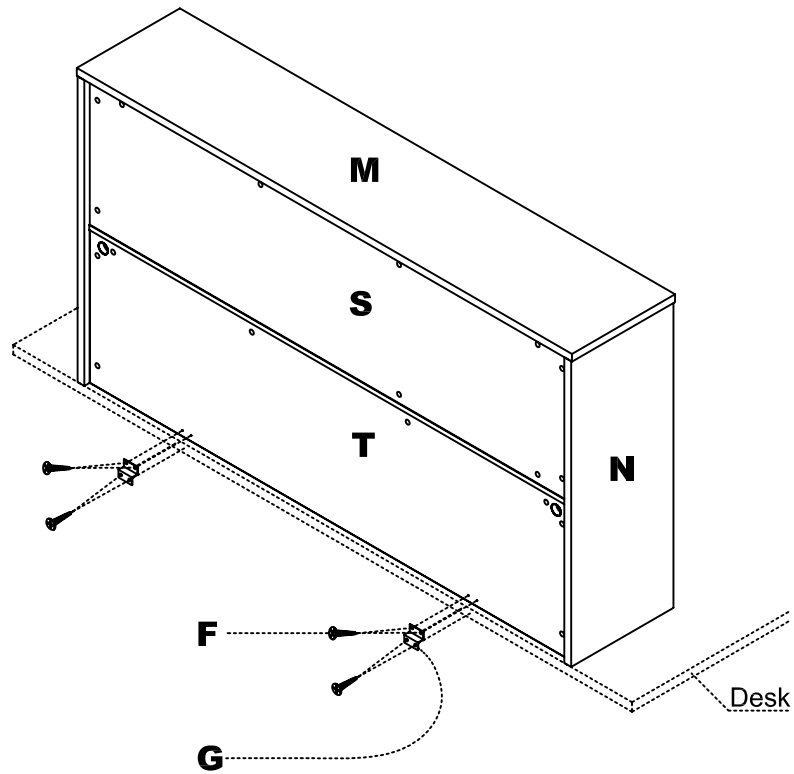
- 6** Insert Grommets (E) into Bottom (R) and Lower Back Panel (T). Install Doors (V1 & V2) onto cabinet.

Adjust door alignment as necessary by using the adjustment screws on the hinges. DO NOT use a power driver for adjusting hinges.



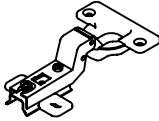
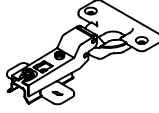


7

- 7 Place assembled Hutch onto Desk at desired location. Attach Z Bracket (G) to Lower Back Panel (T) and Desk using Screws (F).



8

Pre-installed Replacement Parts List

Part	Included Qty.	Part	Included Qty.
 REALBY037 Hinge Tall	4	 REALBY036 Hinge Short	4
 REALS204 Foam Tape	2	 REALBY010 M4 x 14mm Silver	32

9