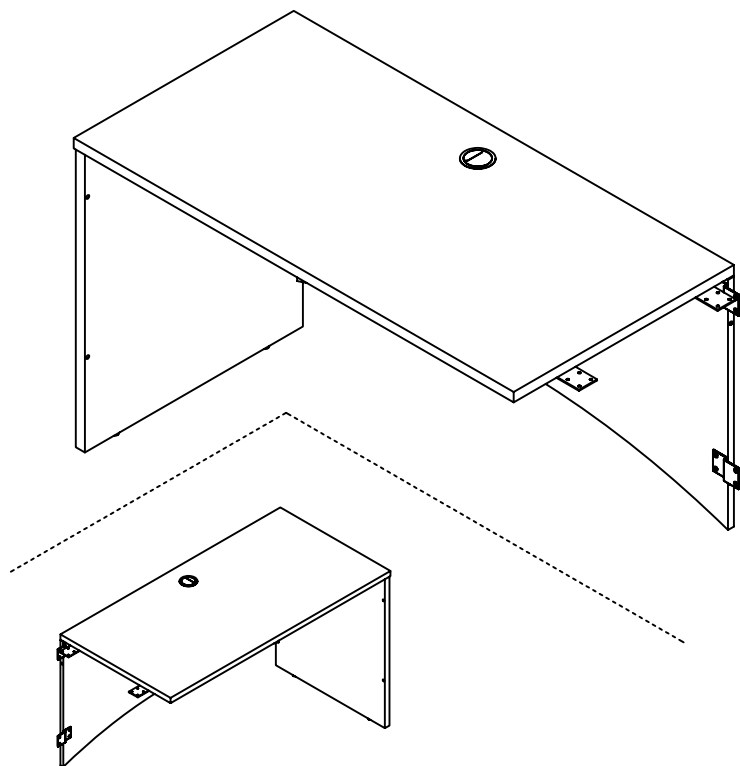


Brighton Series™

Return





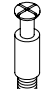




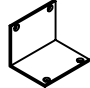
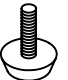

Model No. BTR4824, BTR4224, BTR3624



**ASSEMBLY INSTRUCTIONS**

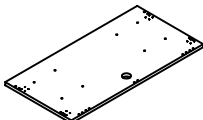
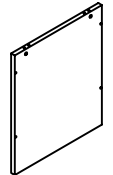
**CALL 1-800-822-8037 FOR ASSISTANCE**

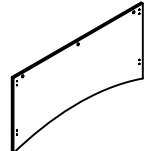
# PARTS LIST

Name	Part	Qty.	Spare Qty	Name	Part	Qty.	Spare Qty
<b>A</b>	 <b>REALS004</b> Wood Dowel	<b>6</b>	<b>1</b>	<b>G</b>	 <b>REALBY009</b> M3.5 x 14mm Black	<b>16</b>	<b>1</b>
<b>B</b>	 <b>REALS001</b> Cam Lock	<b>5</b>	<b>1</b>	<b>H</b>	 <b>REALBY011</b> M4 x 20mm Black	<b>16</b>	<b>1</b>
<b>C</b>	 <b>REALS003</b> Cam Post	<b>5</b>	<b>1</b>	<b>K</b>	 <b>REALS163</b> Z Bracket (65x 50 x 2mm)	<b>2</b>	
<b>D</b>	 <b>REALBY005**</b> Cam Sticker	<b>8</b>	<b>1</b>	<b>L</b>	 <b>REALBY023</b> Bracket (120 x 50 x 3mm)	<b>2</b>	
<b>E</b>	 <b>REALBY015</b> Grommet 60mm	<b>1</b>		<b>M</b>	 <b>REALBY047</b> Corner Bracket	<b>2</b>	
<b>F</b>	 <b>REALBY017</b> Leveler	<b>2</b>			 <b>BTR48HB</b>		

Items with HB are in hardware box.  
\*\*Denotes Color Code

# PARTS LIST


Name	Part	Qty.
<b>R</b>	 <b>BTR~~24R**</b> Top	<b>1</b>
<b>S</b>	 <b>BTB24S**</b> Side Panel	<b>1</b>

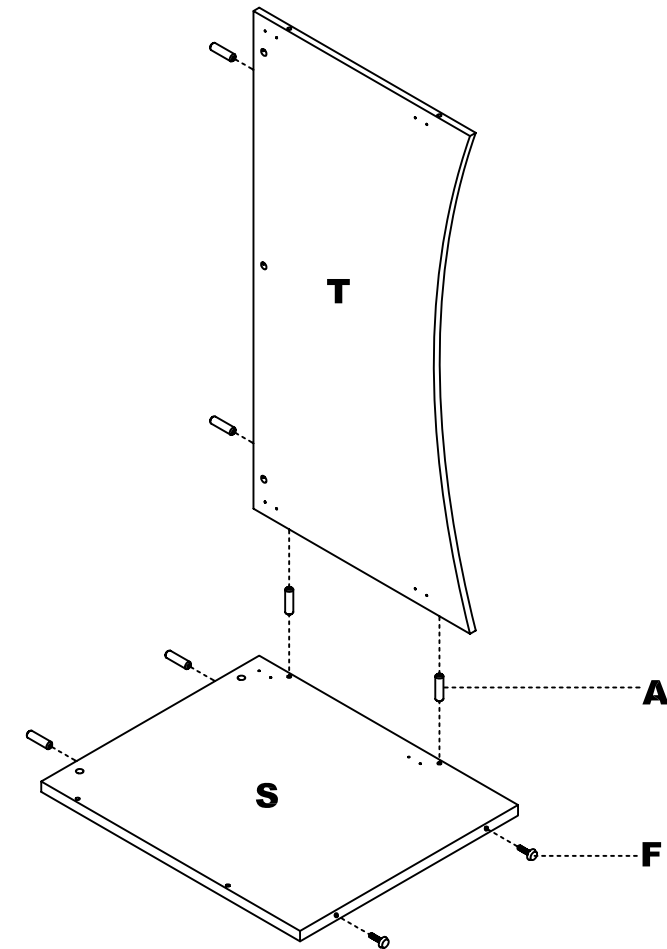
Name	Part	Qty.
<b>T</b>	 <b>BTB~~24T**</b> Modesty Panel	<b>1</b>

\*\*Denotes Color Code  
 ~~Indicates (48, 42 or 36)

**2**

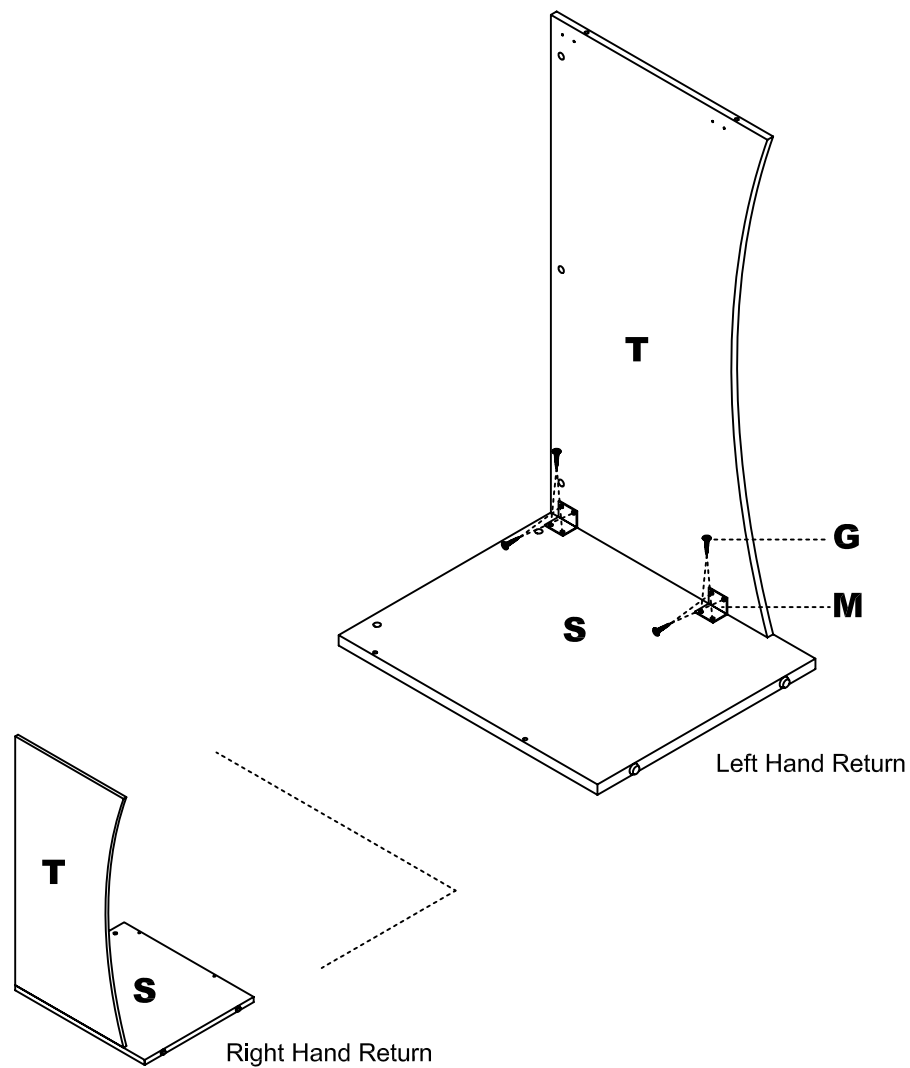
NOTE - Decide if return will be used as a Left or Right prior to beginning assembly.

-  Insert Wood Dowels (A) into the top edge and one end of the Modesty Panel (T) and the top edge of the Side Panel (S). Install Levelers (F) into bottom of Side Panel (S). Position the cam holes to the inside and press Modesty Panel and Side Panel together.



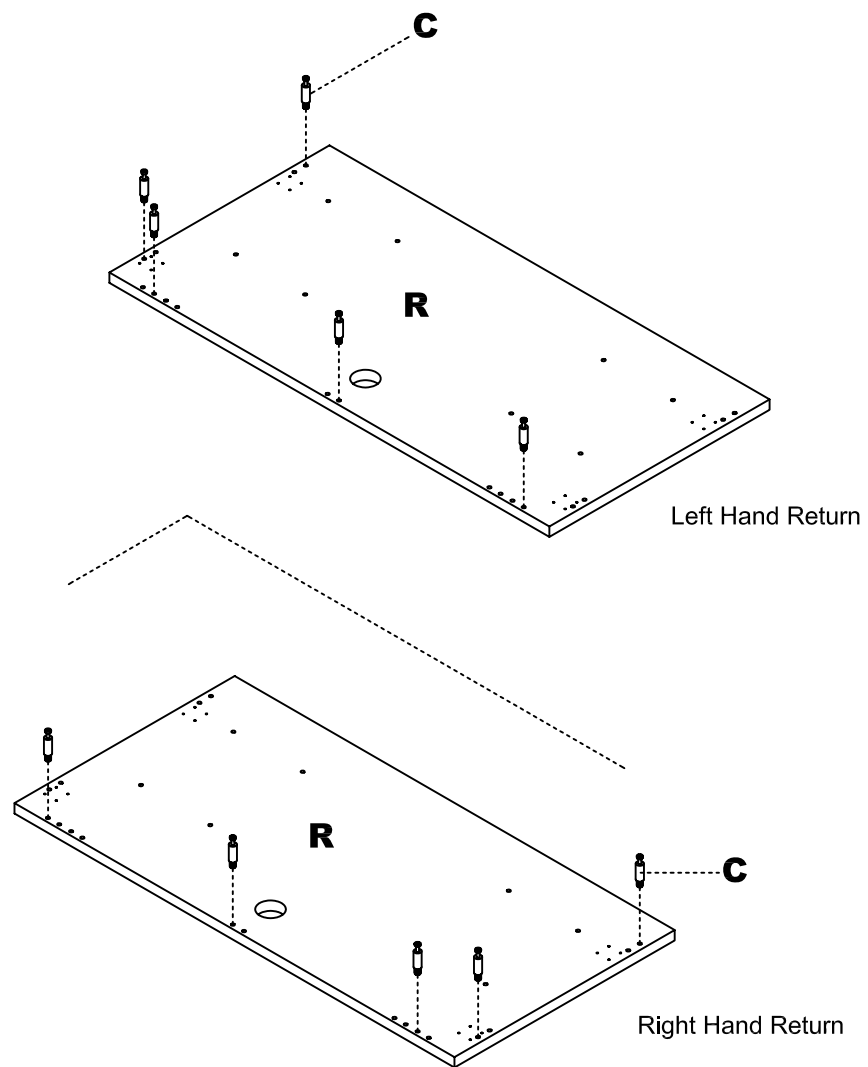
**3**

**2** Attach Corner Brackets (M) to Modesty Panel (T) and Side Panel (S) using Screws (G).



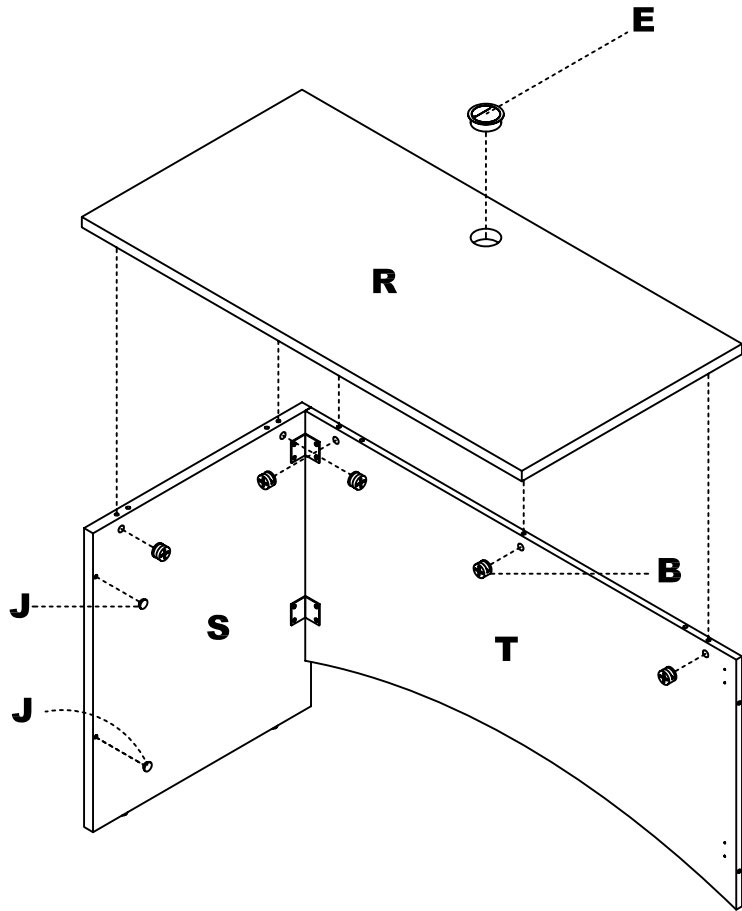
**4**

**3** Install Cam Posts (C) into threaded inserts in underside of Top (R).



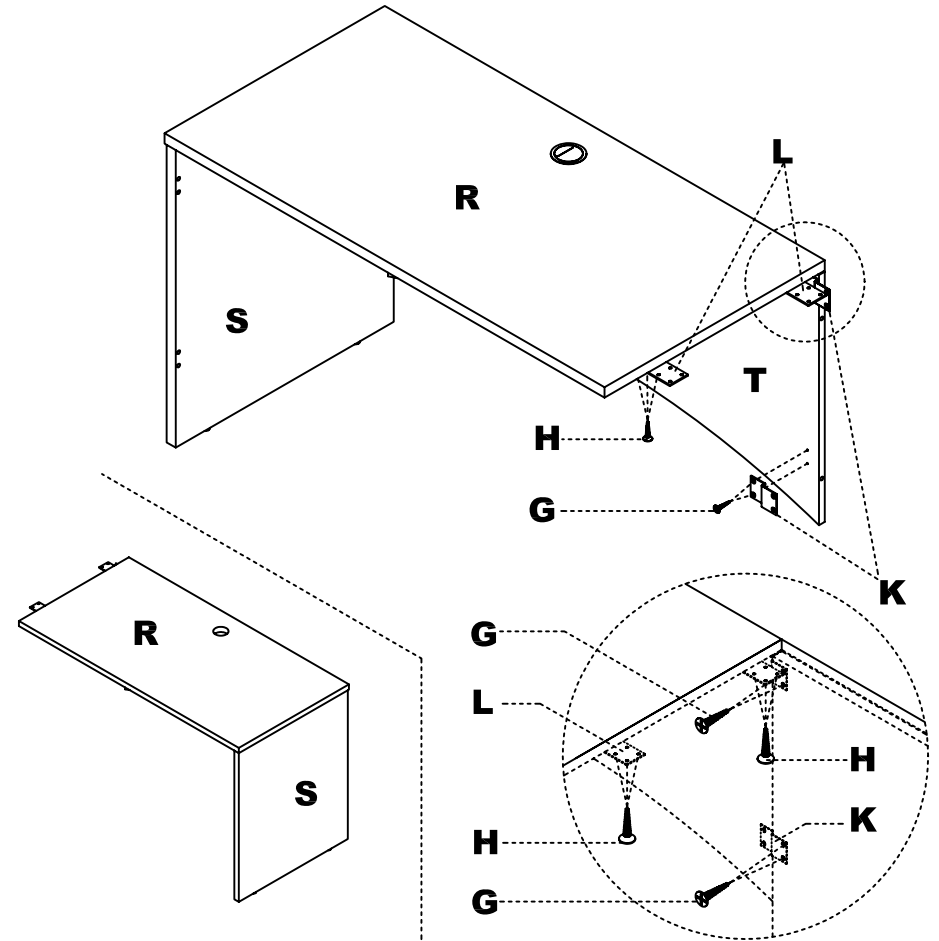
**5**

- 4** Place Top (R) onto base and lock in place by turning Cams (B). Cover Cams (B) using Cam Stickers (D). Adhere Cam Sticker (D) to unused holes in Side Panel (S). Insert Grommet (E) into Top (R).



6

- 5** Attach Plates (L) to underside of top using Screws (H). Attach Z Brackets (K) to Modesty Panel (T) using Screws (G). Attach to adjacent surface using Screws (H).



7