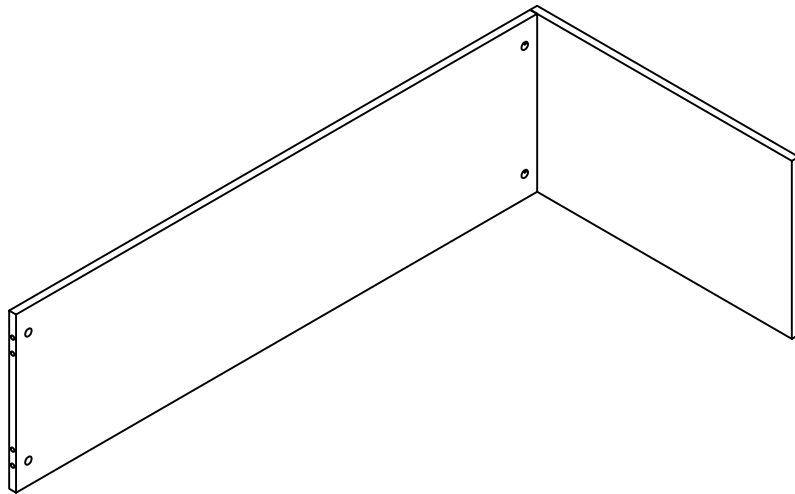
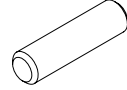

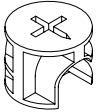

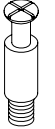
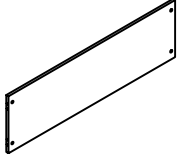

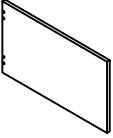


Brighton Series™
 Reception Screen
 Model No. BTRRS2



ASSEMBLY INSTRUCTIONS
CALL 1-800-822-8037 FOR ASSISTANCE

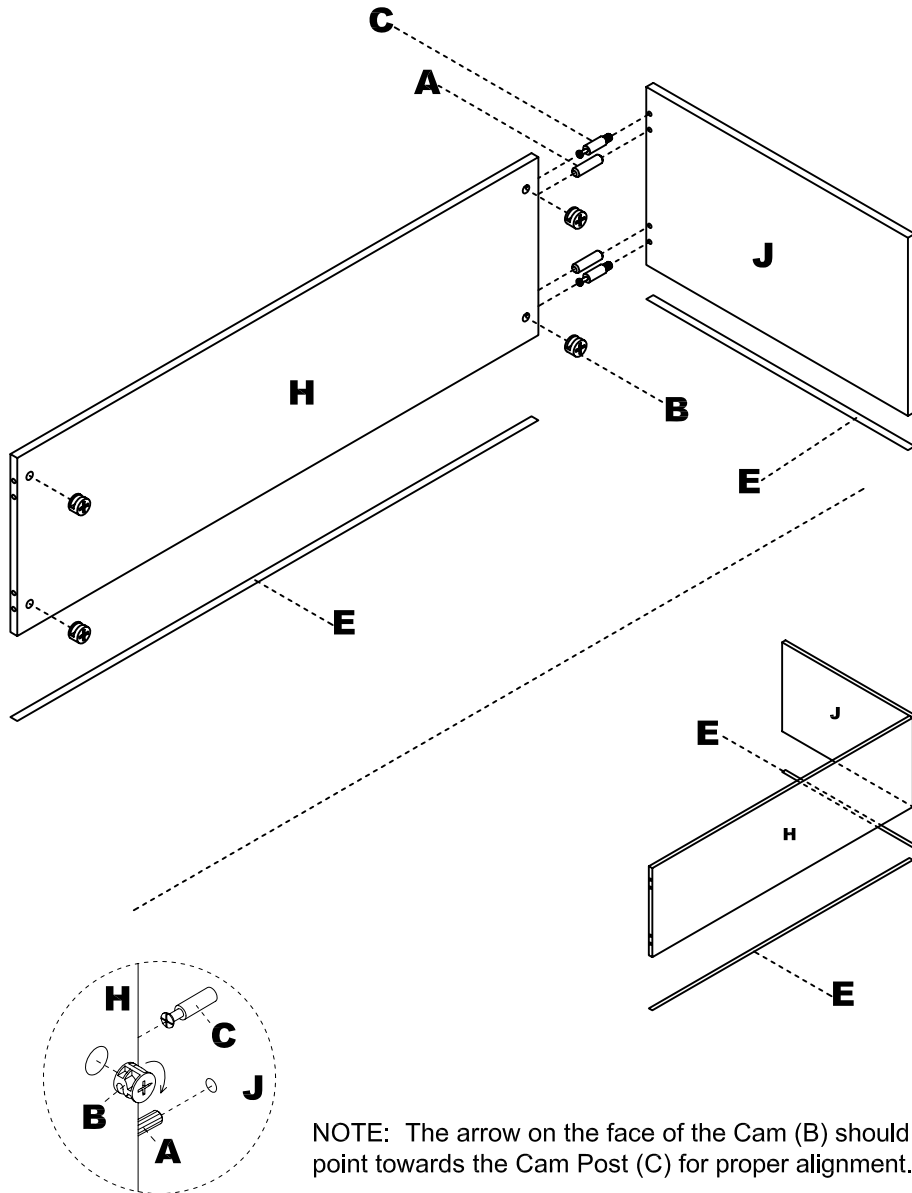
PARTS LIST

Name	Part	Qty.	Spare Qty	Name	Part	Qty.	Spare Qty
A	 REALS004 Wood Dowel	4	1	E	 REALBY020 Double Face Tape	2	
B	 REALS001 Cam	4	1	BTRRSHB			
C	 REALS002 Cam Post	4	1	H	 BTRRS2H** Side Panel	1	
D	 REALBY005** Cam Sticker	4	1	J	 BTRRS2J** End Panel	1	

Items with HB are in hardware box.

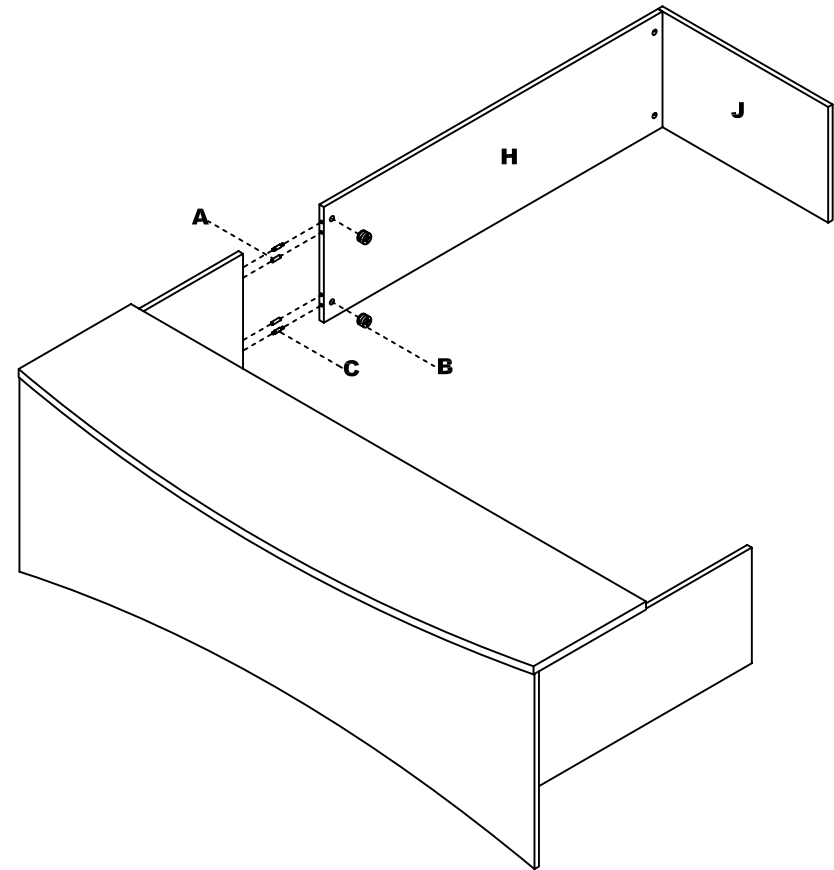
**Denotes Color Code

- 1** Insert Wood Dowels (A) and Cams (B) into desired end of Side Panel (H). Install Cam Posts (C) into threaded inserts in the End Panel (J). Attach Side Panel (H) to End Panel (J) by turning Cams (B). Adhere the Double Face Tape (E) to the bottom of the Side Panel (H) and End Panel (J).



2

- 2** Insert Wood Dowels (A) and Cams (B) into Side Panel (H). Install Cam Posts (C) into threaded inserts in the desired side of the BTRDTC End Panel. Attach Side Panel (H) to BTRDTC End Panel by turning Cams (B). Adhere Cam Stickers (D) to the exposed Cams (B). Attach to work surface by removing backing of Double Face Tape (E) on underside of panels and adhering to the work surface.



3