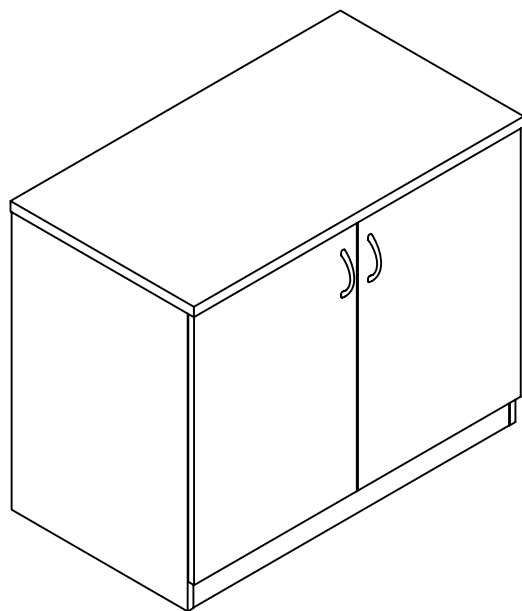
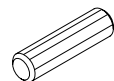
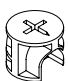












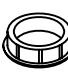

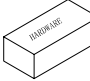
Brighton Series™
Storage Cabinet
Model No. BTSC



ASSEMBLY INSTRUCTIONS
CALL 1-800-822-8037 FOR ASSISTANCE

PARTS LIST

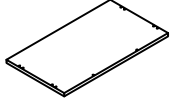
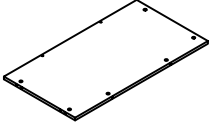
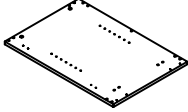
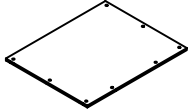
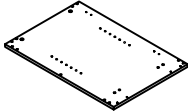
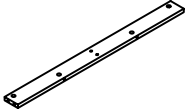

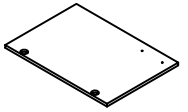
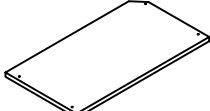
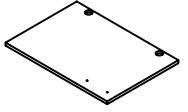
Name	Part	Qty.	Spare Qty
A	 REALS004 Wood Dowel HB	15	1
B	 REALS001 Cam Lock HB	30	1
C	 REALS002 Cam Post HB	30	1
D	 REALBY005** Cam Sticker HB	30	1
E	 REALBY018 Leveler Assembly HB	4	
F	 REALBY012 M4 x 35mm Black HB	6	1
G	 REALBY016 Grommet 35mm HB	1	

Name	Part	Qty.	Spare Qty
H	 REALBY021 Shelf Support HB	4	
J	 REALBY026 Handle HB	2	
K	 REALBY027 M4 x 22mm HB	4	1
L	 REALBY009 M3.5 x 14mm Black HB	16	1
M	 Bumper HB	4	1
W	 REALS230** Cap HB	4	1
Z	 REALBY028 Wrench HB	1	
	 BTSCHB		

Items with HB are in hardware box.

**Denotes Color Code

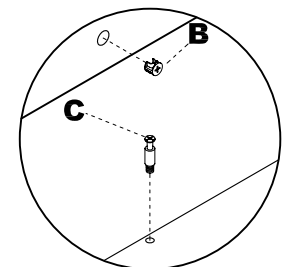
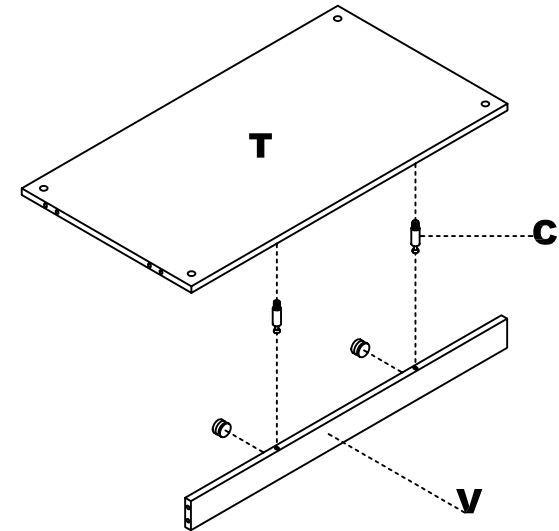
PARTS LIST

Name	Part	Qty.	Name	Part	Qty.
N	 BTSCN** Top	1	T	 BTSCT** Bottom Panel	1
P	 BTSCP** L.H. Side Panel	1	U	 BTSCU** Back Panel	1
Q	 BTSCQ* R.H. Side Panel	1	V	 BTSCV** Toe Kick	1
R	 BTSCR** Cross Brace	2	X	 BTSCX** L.H. DOOR	1
S	 BTSCS** Shelf	1	Y	 BTSCY** R.H. Door	1

**Denotes Color Code

2

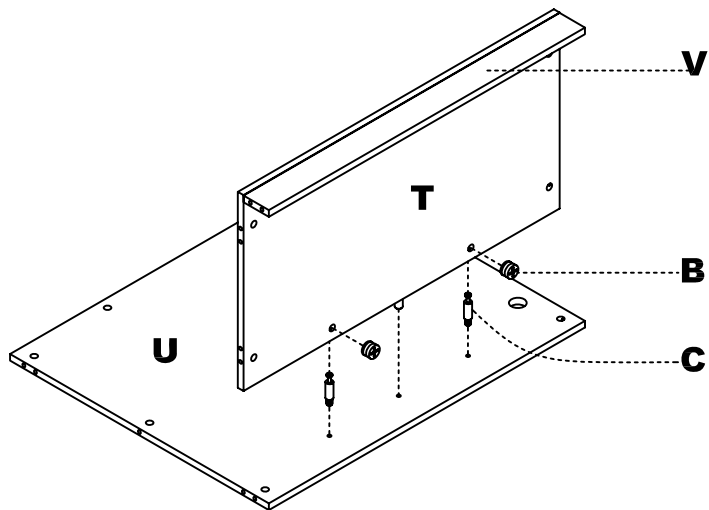
- 1 Install Cam Posts (C) into Bottom Panel (T). Insert Cam (B) into Toe Kick (V). Attach Toe Kick (V) and Bottom Support (W) to Bottom Panel (T) by turning Cams (B).



NOTE: The arrow on the face of the Cam (B) should point towards the Cam Post (C) for proper alignment.

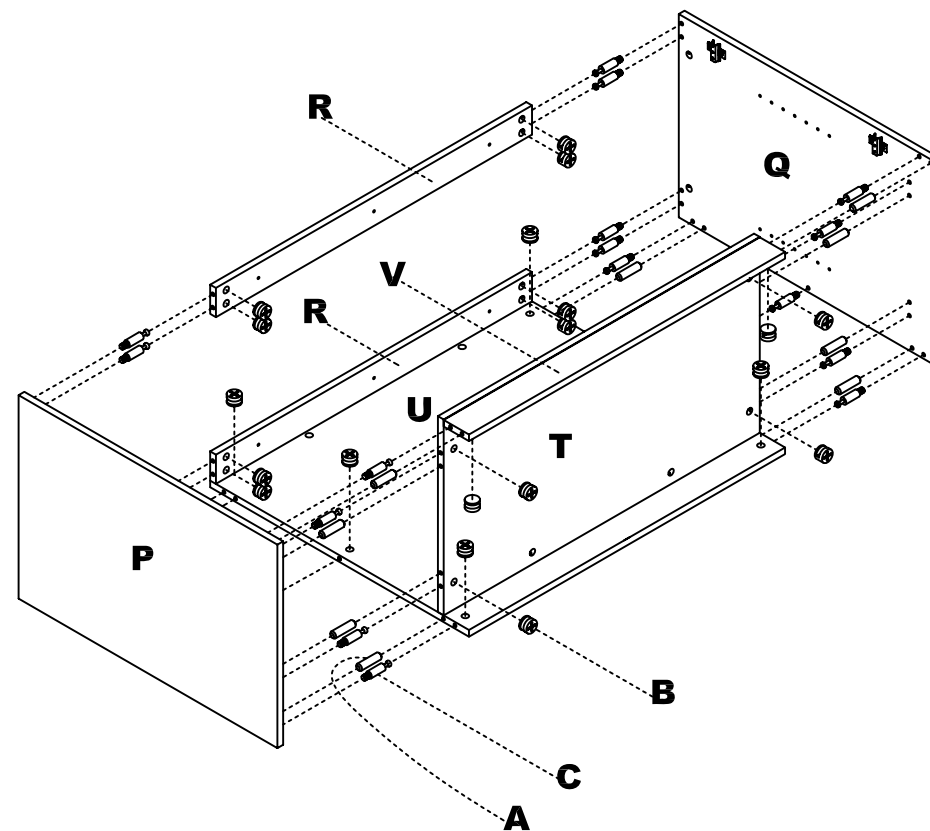
3

- 2** Insert Wood Dowel (A) into Bottom (T). Install Cam Posts (C) into Back Panel (U). Insert Cam (B) into Bottom Panel (T). Attach assembled Bottom to Back Panel (U) by turning Cams (B).



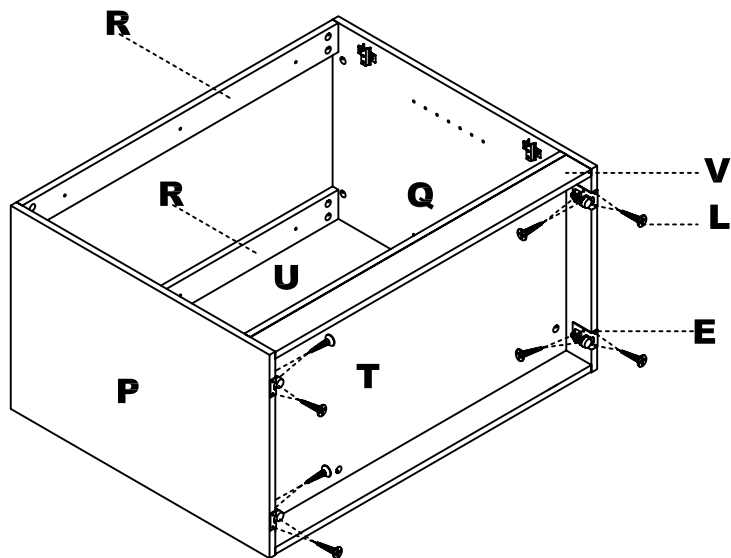
4

- 3** Insert Wood Dowels (A) into Back Panel (U), Bottom Panel (T), and Toe Kick (V). Install Cam Posts (C) into L.H. Side Panel (P) and R.H. Side Panel (Q). Insert Cams (B) into Back Panel (U), Bottom Panel (T), Toe Kick (V) and Cross Braces (R). Attach Side Panels (P & Q) and Cross Braces (R) by turning Cams (B).



5

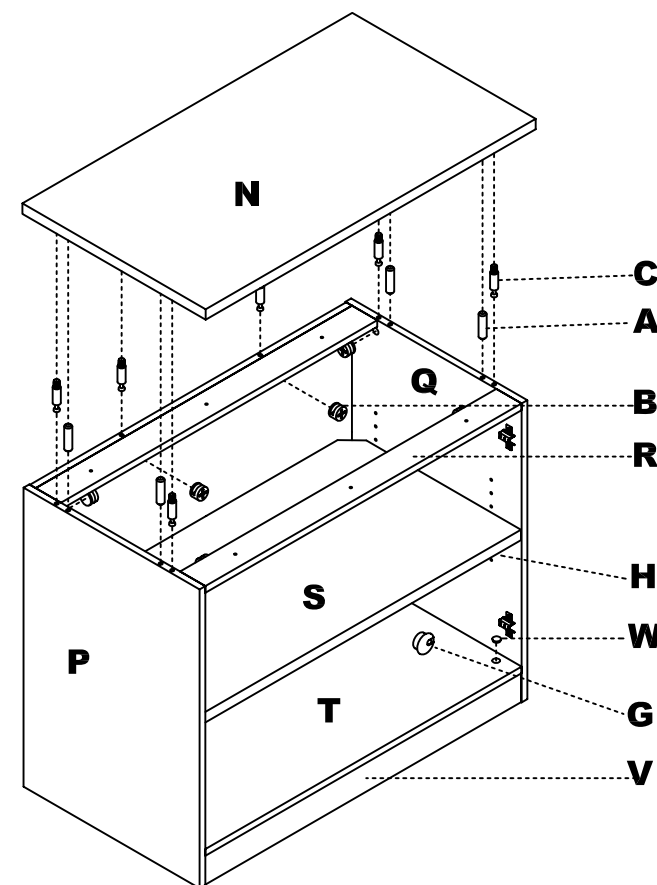
- 4** Install Leveler Assemblies (E) to Side Panels (P & Q) using Screws (L).



6

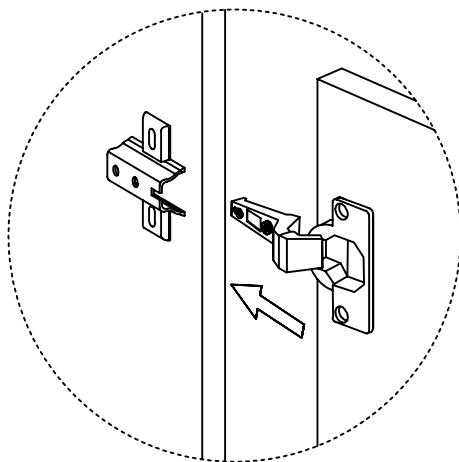
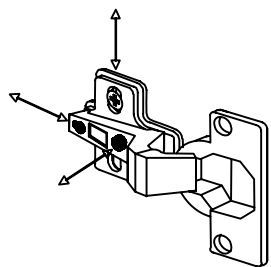
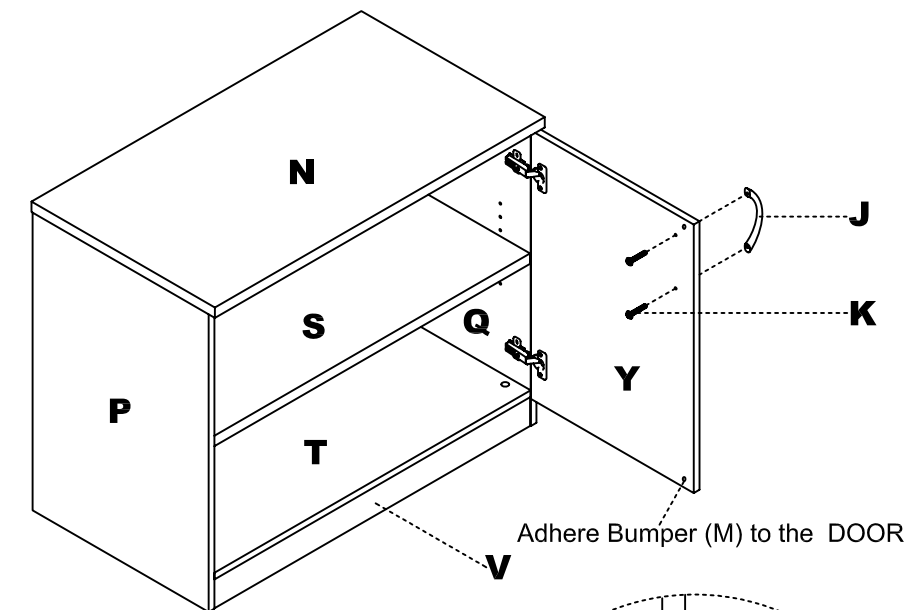
- 5** For Under Surface application: Using Screw (F) to attach to the underside of the Credenza or Desk worksurface. Insert Shelf Supports (H) at desired location. Insert Grommet (G) into hole in Back Panel (U). Install Hole Caps (M) into Bottom Panel (T). Install Shelf (S). Apply Cam Stickers (D) to cam holes.

For Free Standing application: Install Cam Posts (C) to underside of Top (N). Attach Top (N) to assembled cabinet by turning Cams (B). Apply Cam Stickers (D) to cams. Insert Shelf Supports (H) into desired location. Insert Grommet (G) into hole in Back Panel (U). Adhere Cam Stickers (D) to Bottom Panel (T). Install Shelf (S).



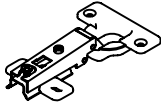

7

- 6** Attach Handles (J) to R.H. and L.H. Doors (X & Y) using Screws (K).
Install Doors (X & Y) onto Cabinet. Adjust doors for alignment as necessary by using the adjustment screws on the hinges.



8

Pre-Installed Replacement Parts List

Part	Included Qty.	Part	Included Qty.
 REALBY035 Hinge - Straight	4	 REALBY010 M4 x 14mm Silver	16

9