

Assembly Instructions

CTSK Task Light

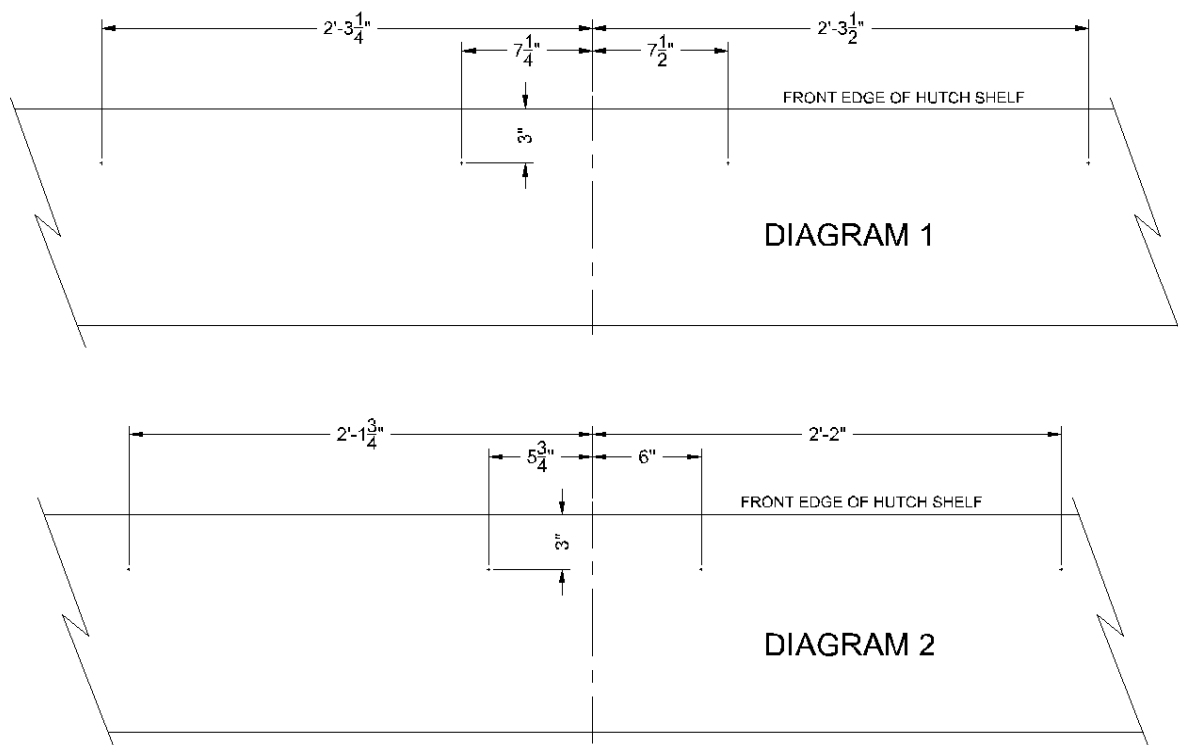
Included in this carton are the following:

<u>Quantity</u>	<u>Description</u>
2	22" Fluorescent Light Fixtures w/Power Cord
1	12" Jumper Cord
4	Mounting Screws
1	Cable Clip

Wood Shelf – Screw Mounting:

Note: For Hutches With Pre-Drilled Holes From Factory, Skip Step 1.

1) Locate and drill (4) 1/16" Dia x 3/8" deep pilot holes for mounting screws. For hole layout on 72" and 84" hutch, see Diagram 1. For hole layout on 66" hutch see Diagram 2.



2) Install screws into holes and leave approx. 1/8" from completely tightening.

3) Install light fixtures and finish tightening the screws. Angle side of light fixture should face the rear of the hutch. (Diagram 3).

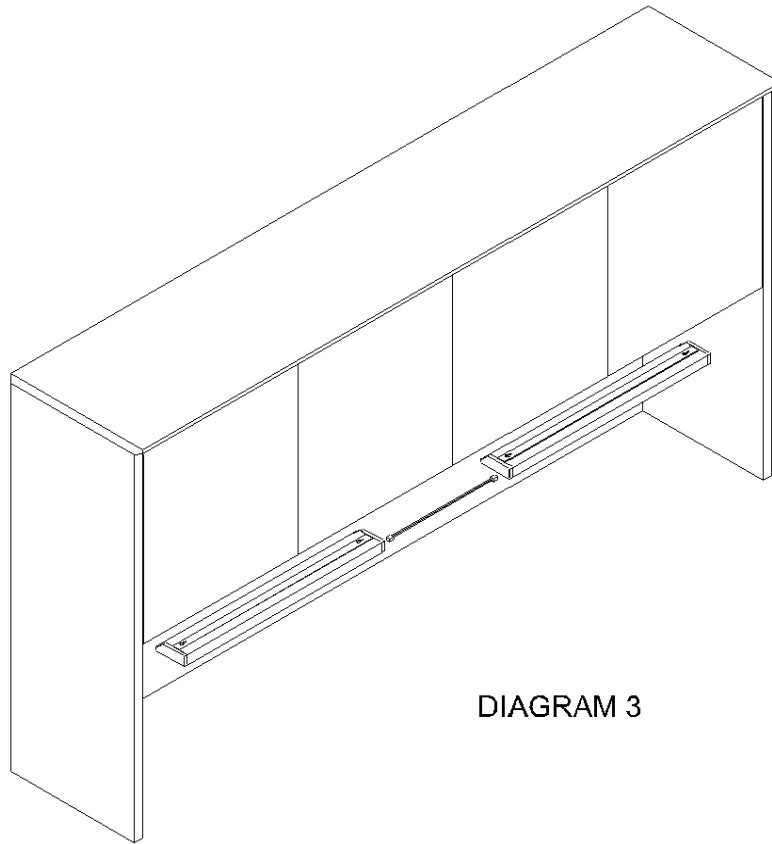


DIAGRAM 3

4) Connect fixtures with 12" jumper.

5) On 66" hutches, Cable Clip may be used to hold jumper cable tight to underside of shelf.

6) Attach power cord to the "IN" plug on right light fixture.

7) Remove a grommet cover and run cord out the back of the hutch, replace cover.