

CATALOG No.  
21125  
21145

# ASSEMBLY INSTRUCTIONS

## e\*LAN WORKSTATIONS

### 24" SERVER STATIONS 2 and 4 SHELVES

*NOTE: Please count and inspect all pieces before disposing of any carton or packing materials.*

When ordering components, specific color and/or size information may be required.  
Contact a Mayline Customer Service Representative. 1-800-822-8037


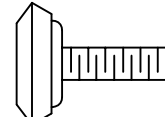
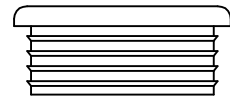
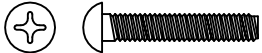


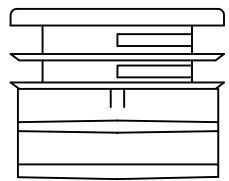
**COMPONENTS:** Catalog #21125

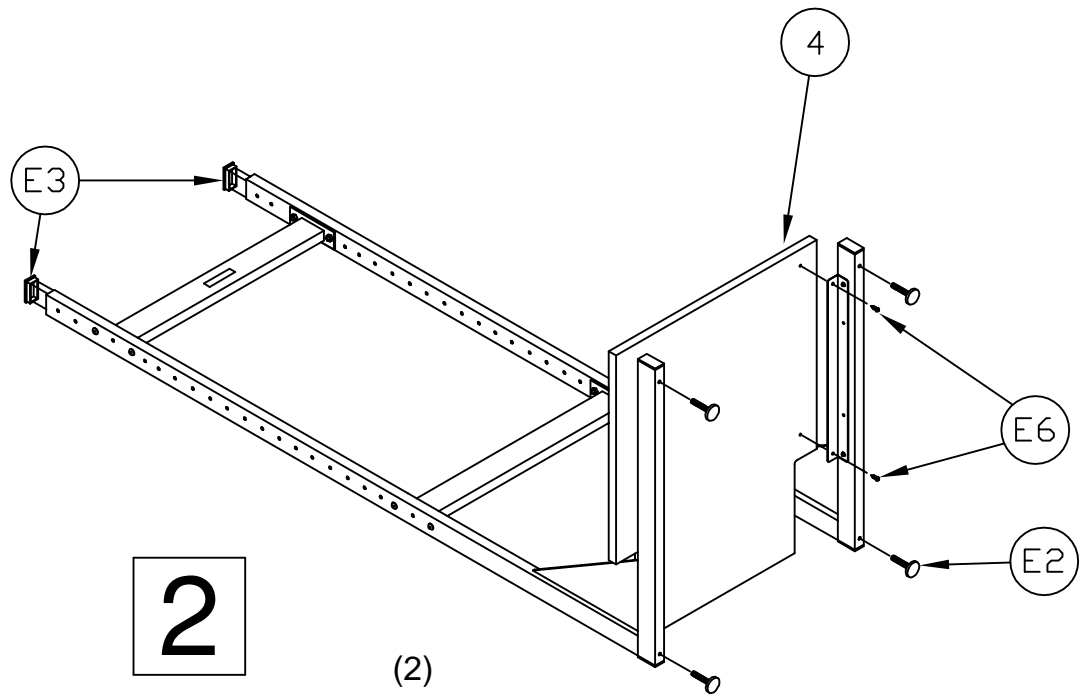
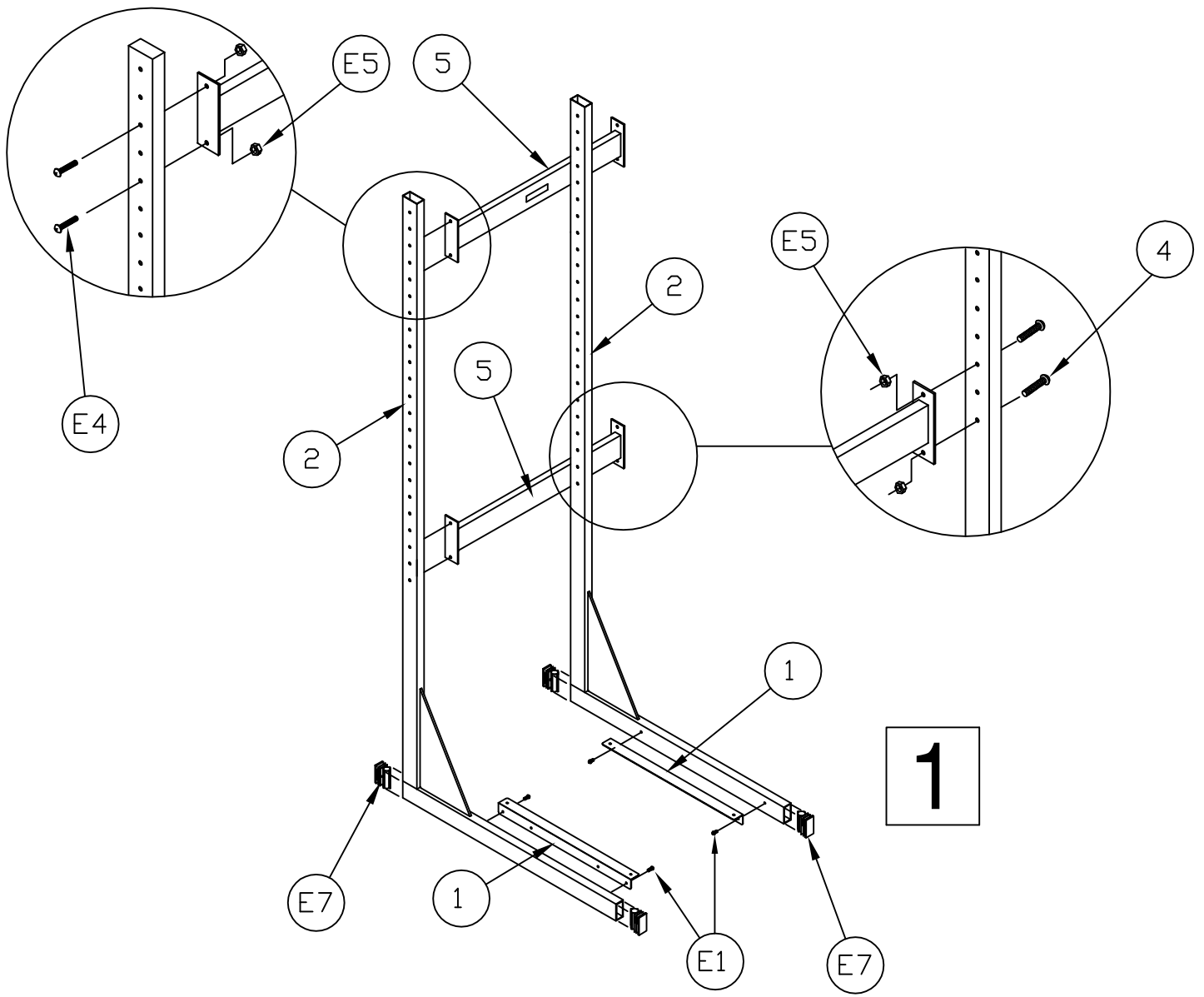
REF. #	QTY.	DESCRIPTION	PART No.
1	2	LOWER SHELF SUPPORT	B6312
2	2	FRAME ASSEMBLY	A6915
3	2	UPPER SHELF	L4462
4	1	LOWER SHELF	L4456
5	2	SPREADER ASSEMBLY	A6799
6	4	SHELF SUPPORT	B6311

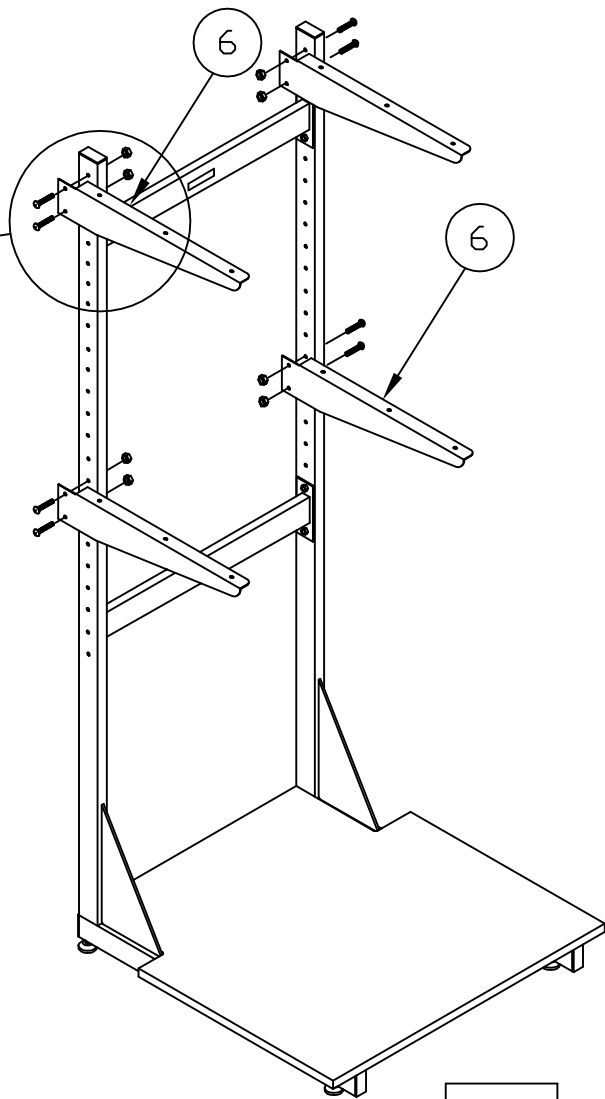
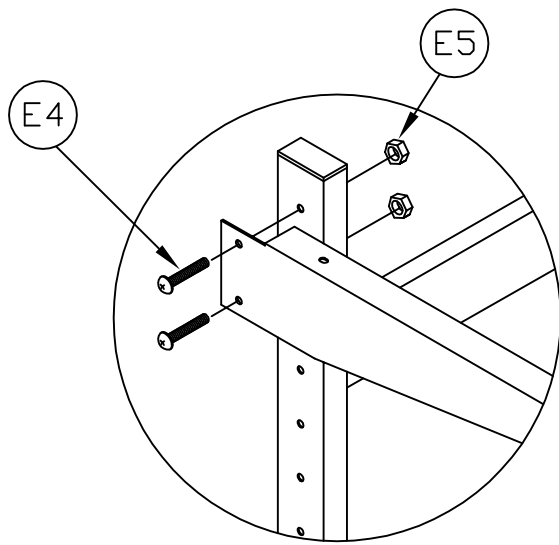
**COMPONENTS:** Catalog #21145

REF. #	QTY.	DESCRIPTION	PART No.
1	2	LOWER SHELF SUPPORT	B6312
2	2	FRAME ASSEMBLY	A6915
3	4	UPPER SHELF	L4462
4	1	LOWER SHELF	L4456
5	2	SPREADER ASSEMBLY	A6799
6	8	SHELF SUPPORT	B6311

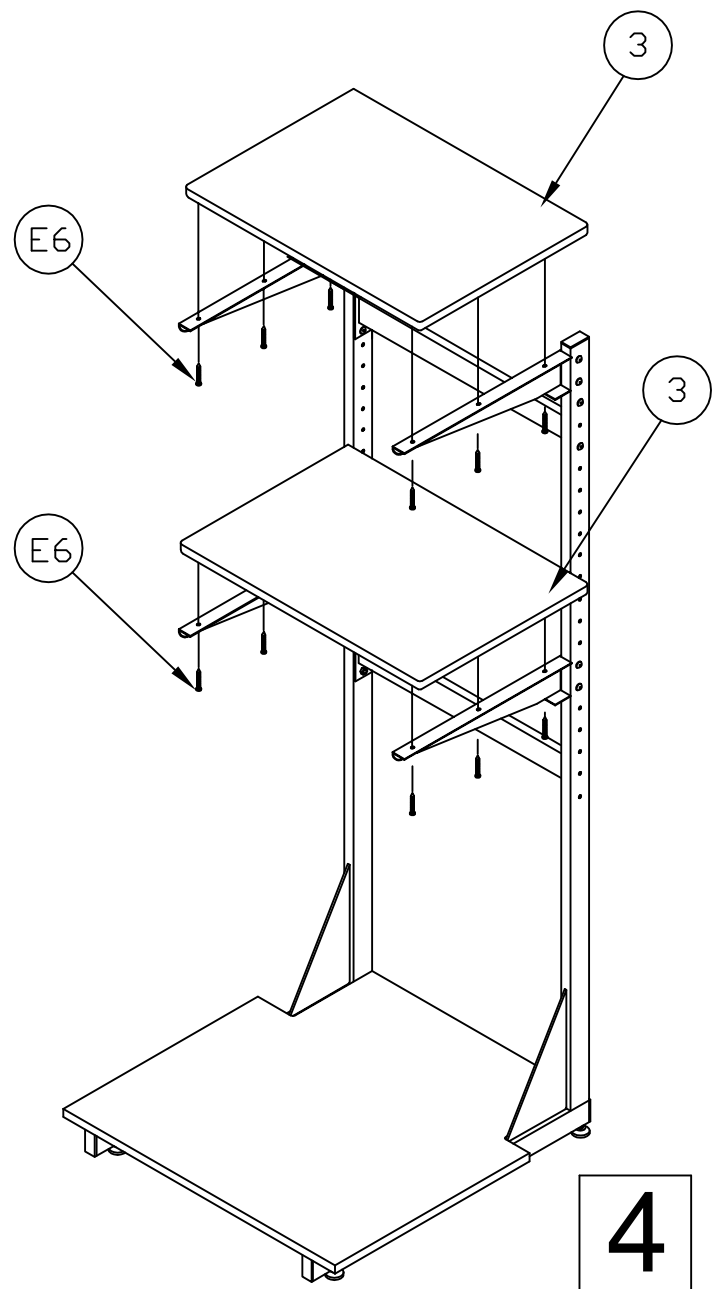
**HARDWARE BAG** \*for individual item, order that part number

REF. #	21125		DESCRIPTION	PART No.	
	BAG #A6844	QTY.			
E1	4	4	#8-32 X 3/8 SCREW	X247*	
E2	4	4	GLIDE	Q444*	
E3	2	2	END CAP	F474*	
E4	16	24	1/4-20 X1 1/2 SCREW	X196*	
E5	16	24	1/4-20 HEX NUT	T29*	
E6	16	28	#10 X 5/8 SCREW	X5108*	
E7	4	4	THREADED END CAP	F663*	





3



4

(3)