

ASSEMBLY INSTRUCTIONS

e*LAN 24" WORKSTATIONS


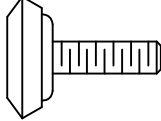
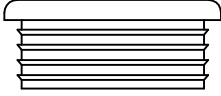
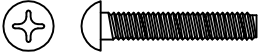



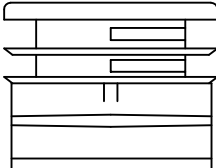
NOTE: Please count and inspect all pieces before disposing of any carton or packing materials.

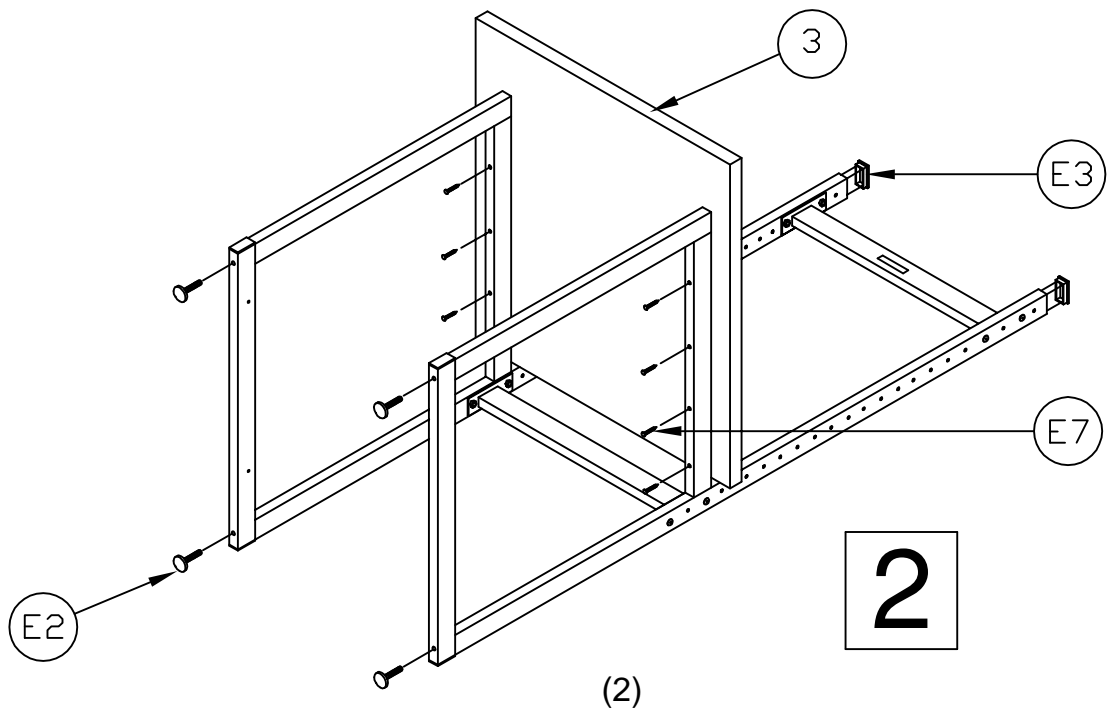
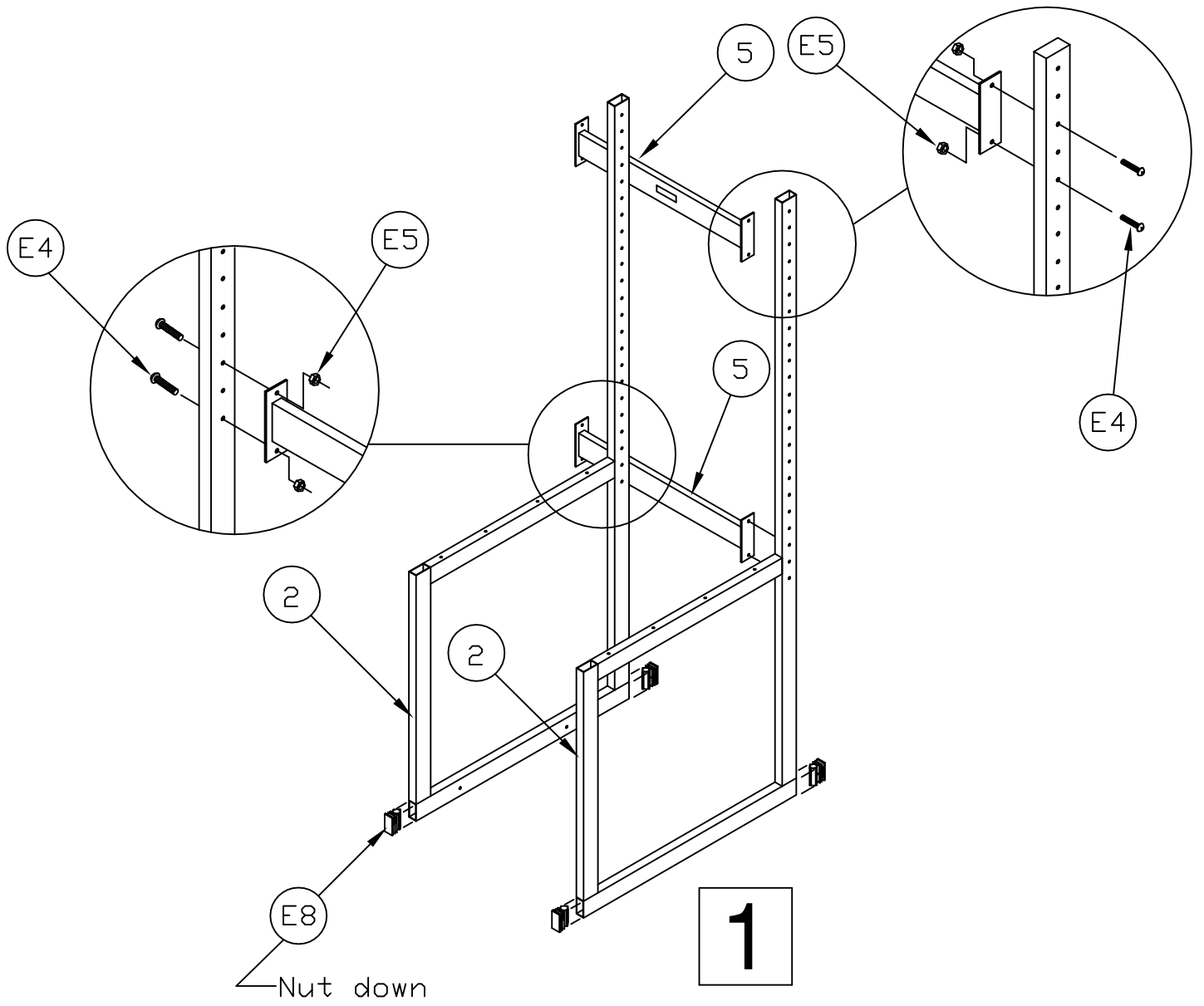
COMPONENTS

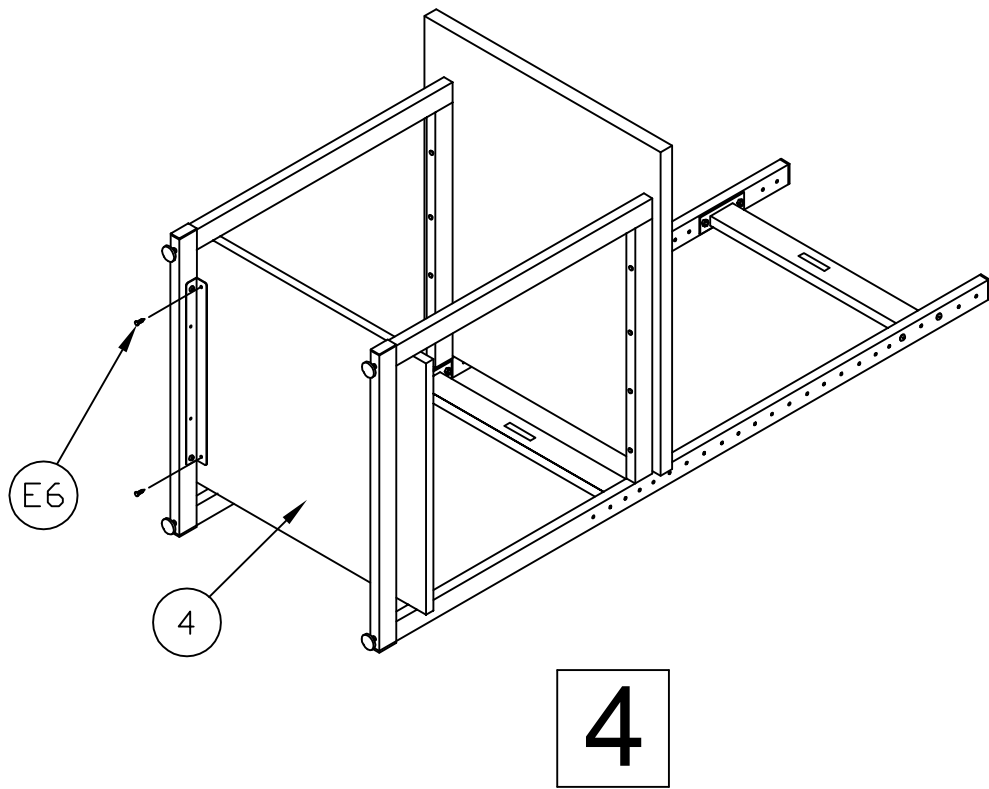
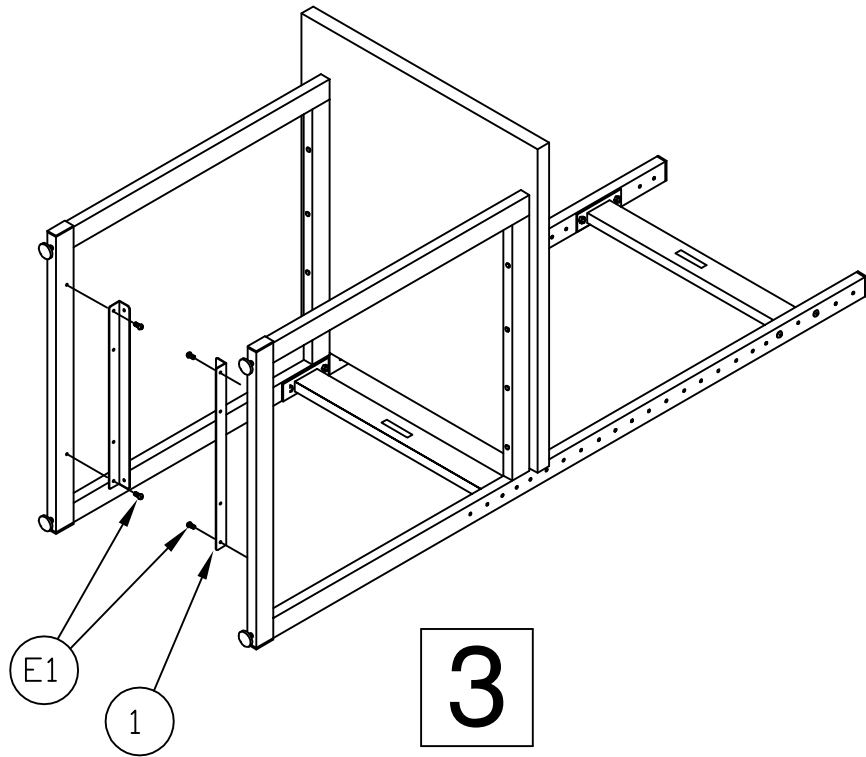
When ordering components, specific color and/or size information may be required.
Contact a Mayline Customer Service Representative. 1-800-822-8037

REF. #	QTY.	DESCRIPTION	PART No.
1	2	LOWER SHELF SUPPORT	B6312
2	2	FRAME ASSEMBLY	A6839
3	1	TOP	L4459
4	1	LOWER SHELF	L4454
5	2	SPREADER ASSEMBLY	A6799
6	4	SHELF SUPPORT	B6311
7	2	UPPER SHELF	L4462

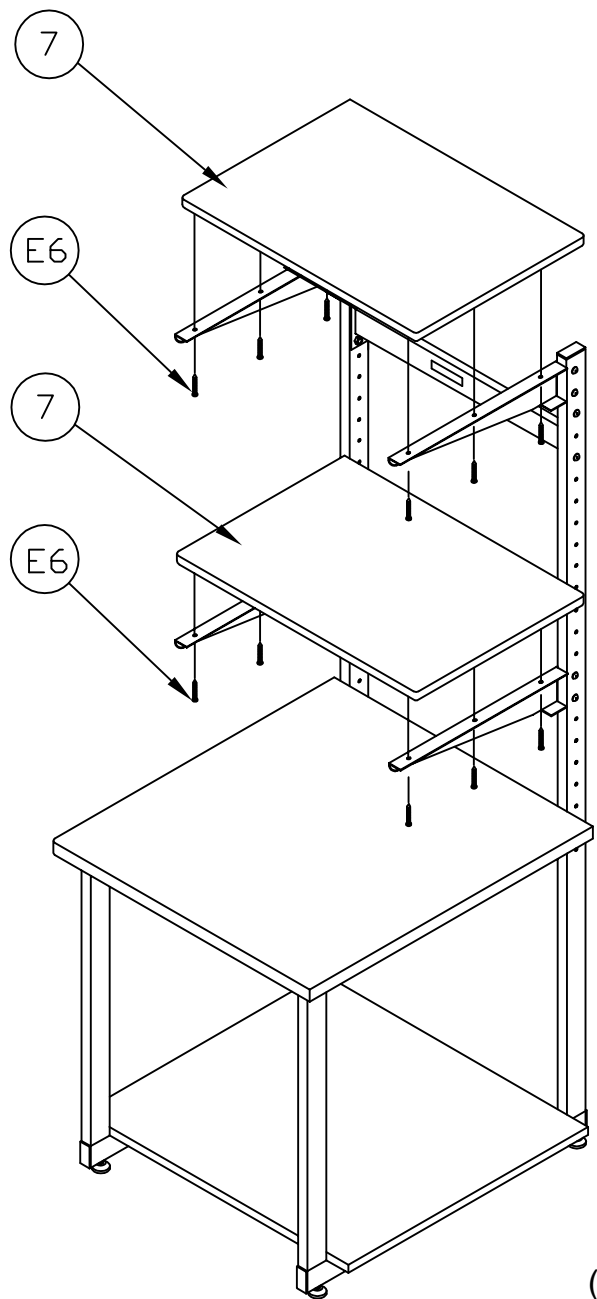
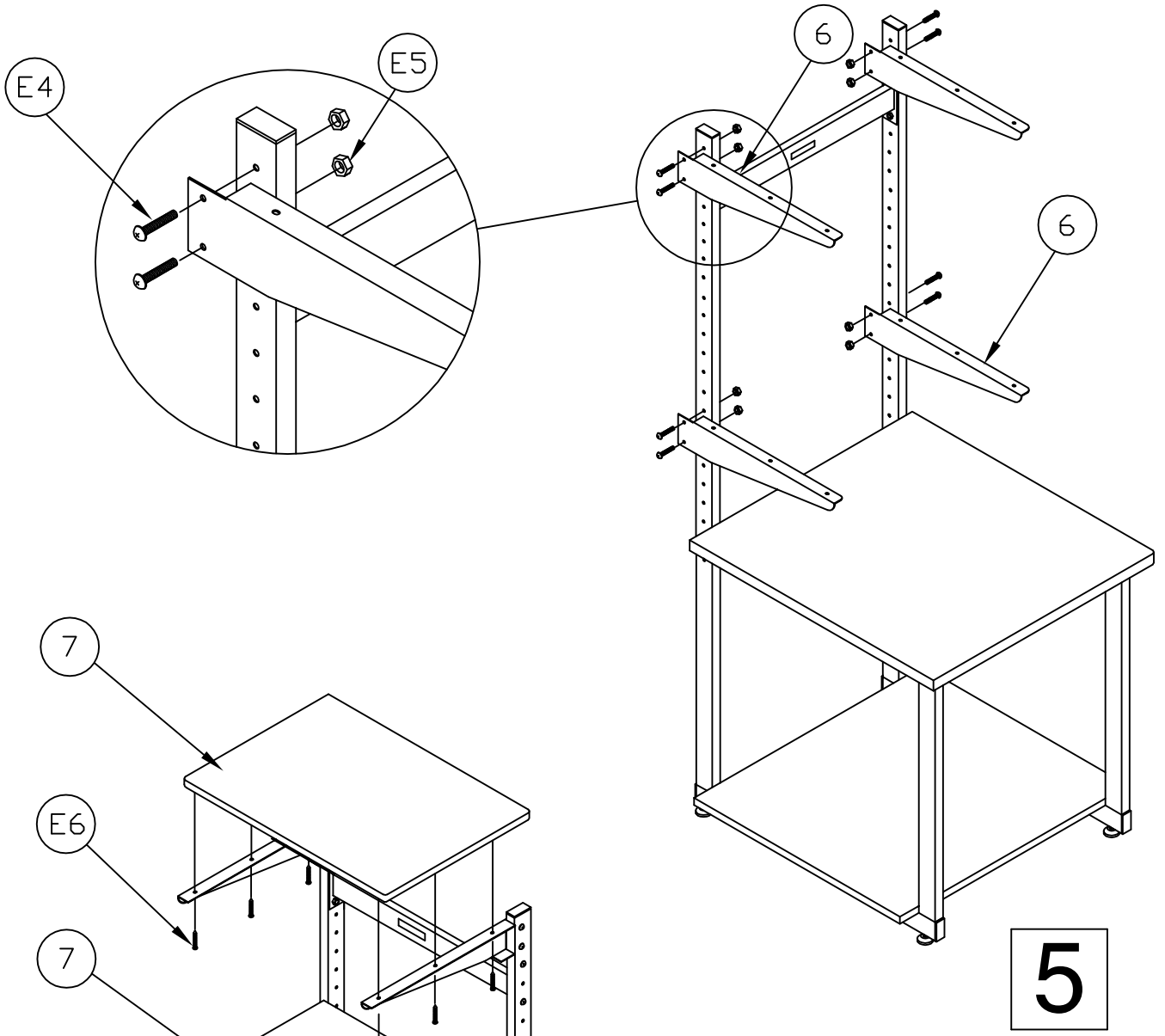
HARDWARE BAG (PART No. A6845) *for individual item, order that part number

REF. #	QTY.	DESCRIPTION	PART No.	
E1	4	#8-32 X 3/8 SCREW	X247*	
E2	4	GLIDE	Q444*	
E3	2	END CAP	F474*	
E4	16	1/4-20 X1 1/2 SCREW	X196*	
E5	16	1/4-20 HEX NUT	T29*	
E6	16	#10 X 5/8 SCREW	X5108*	
E7	8	#10 X 2 1/2 SCREW	X335*	
E8	4	THREADED END CAP	F663*	





(3)



6

(4)