

# ASSEMBLY INSTRUCTIONS

## e\*LAN CORNER WORKSTATIONS

*NOTE: Please count and inspect all pieces before disposing of any carton or packing materials.*


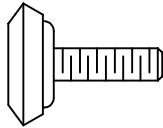
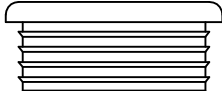
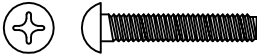



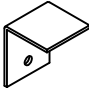
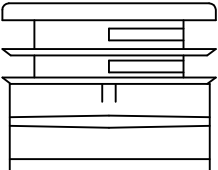
### COMPONENTS

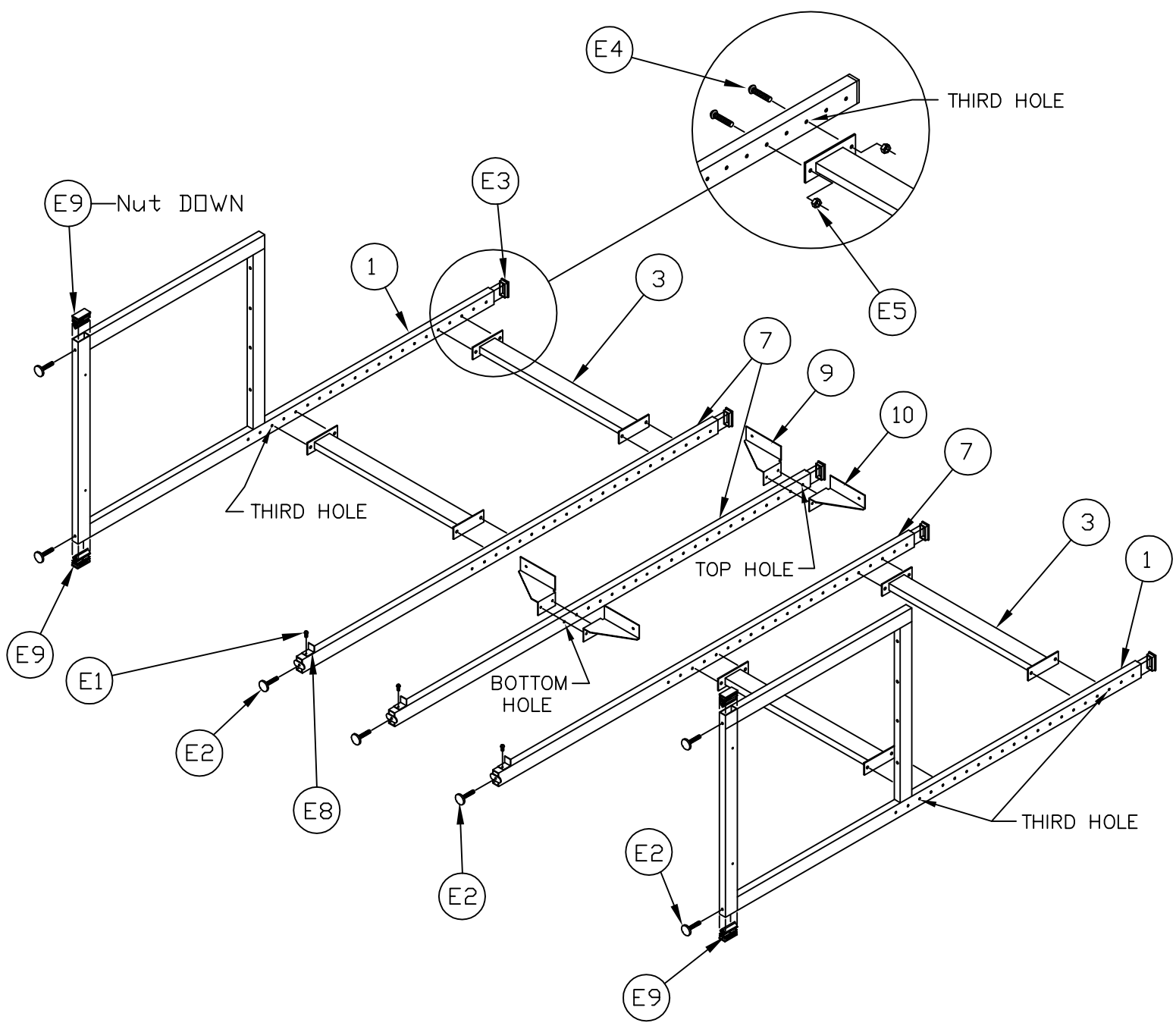
When ordering components, specific color and/or size information may be required.  
Contact a Mayline Customer Service Representative. 1-800-822-8037

REF. #	QTY.	DESCRIPTION	PART No.
1	2	FRAME ASSEMBLY	B6839**
2	1	FLOOR SHELF	L4466**
3	4	SPREADER ASSEMBLY	A6799**
4	1	CORNER TOP	L4467**
5	2	SHELF, UPPER	L4465**
6	1	SHELF SUPPORT	B6311**
7	3	UPRIGHT ASSEMBLY	A6725**
8	10	FLOOR SHELF SUPPORT	A6801**
9	3	L.H. BRACKET	B6279**
10	3	R.H. BRACKET	B6278**

*\*\* Denotes Color Code*

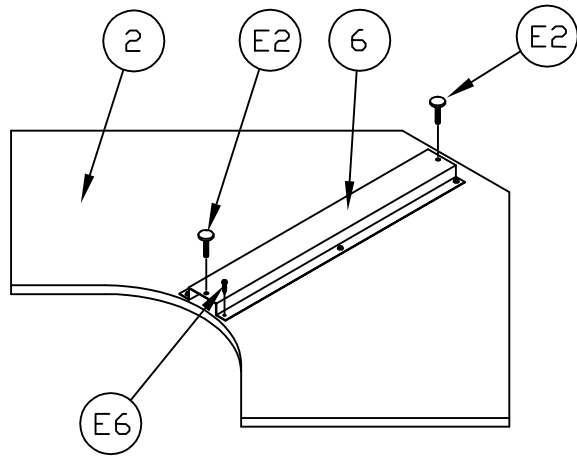
### HARDWARE BAG (PART No. A6848) *\*for individual item, order that part number*

REF. #	QTY.	DESCRIPTION	PART No.	
E1	3	#8-32 X 3/8 SCREW	X247*	
E2	9	GLIDE	Q444*	
E3	5	END CAP	F474*	
E4	42	1/4-20 X1 1/2 SCREW	X196*	
E5	42	1/4-20 HEX NUT	T29*	
E6	42	#10 X 5/8 SCREW	X5108*	
E7	8	#10 X 2 1/2 SCREW	X335*	
E8	3	SUPPORT CLIP	B6296*	
E9	4	THREADED END CAP	F663*	

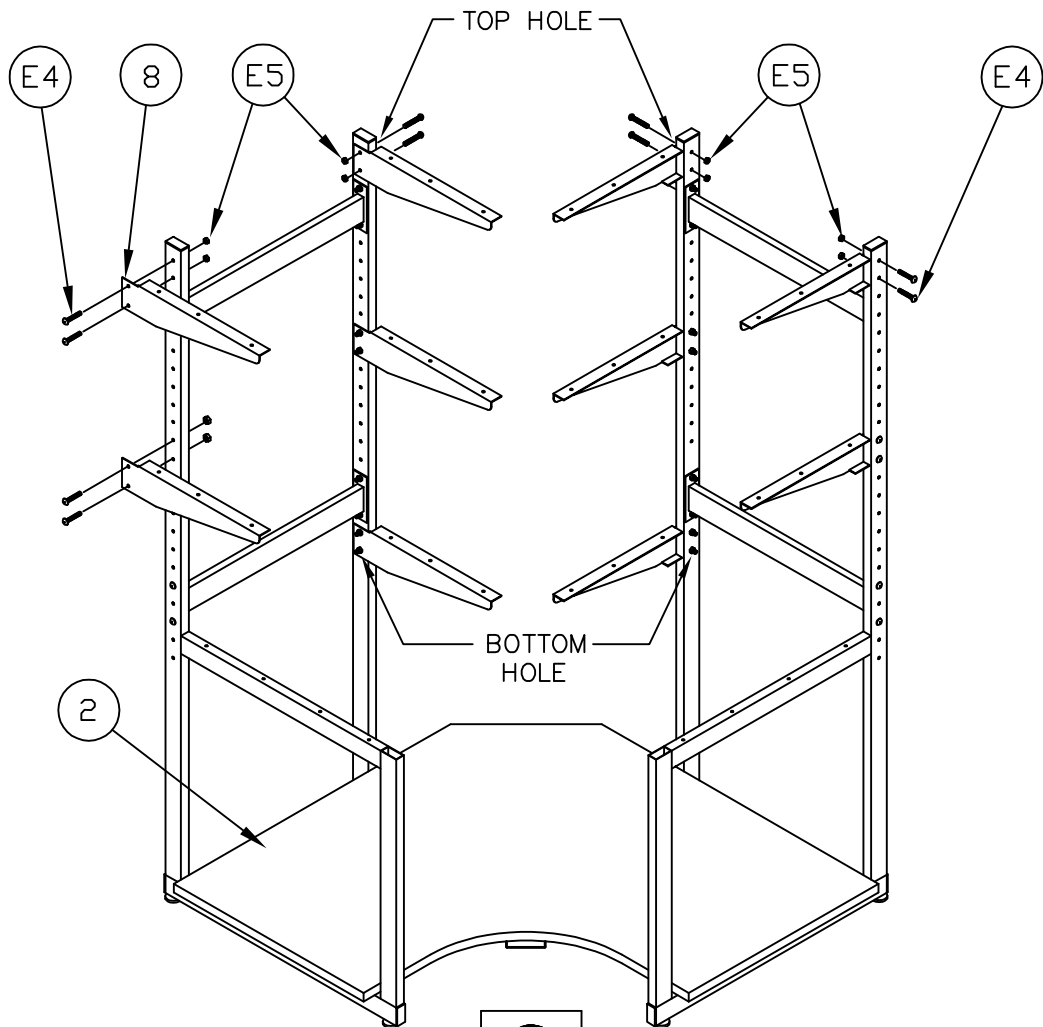


**1**

(2)

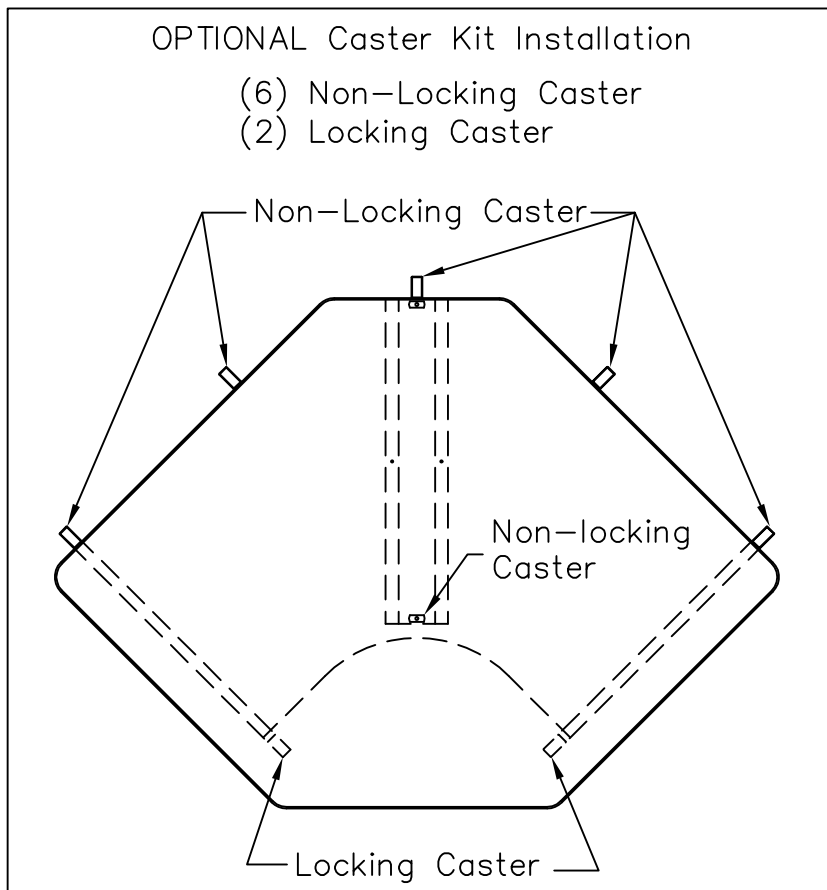
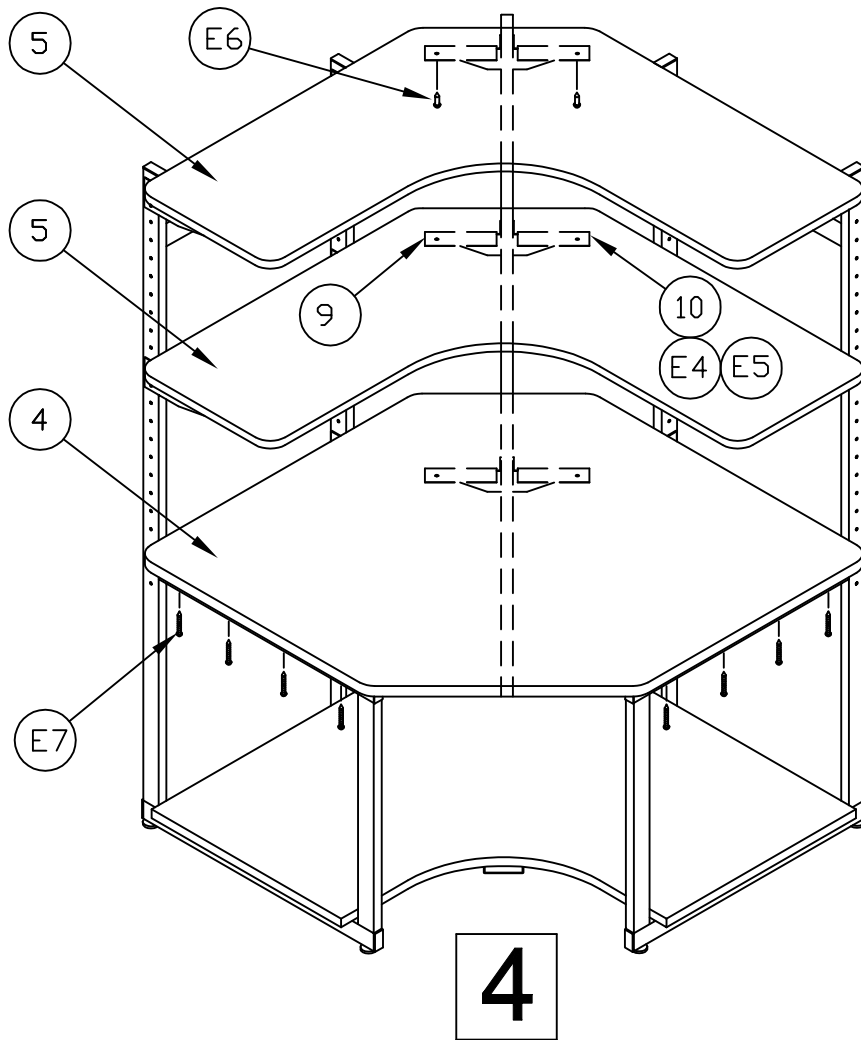


2



3

(3)



(4)