

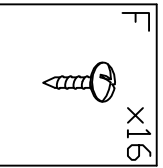
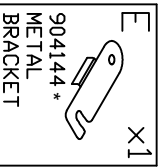
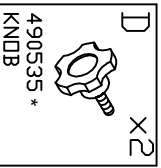
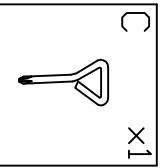
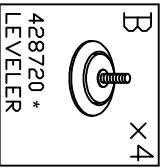
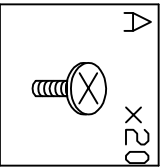
# MAYLINE

Mayline Company, LLC  
 619 N. Commerce, P.O. Box 728  
 Sheboygan, WI 53082-0728  
 Toll Free: 1-800-822-8037  
 FAX: 920-457-7388  
 On Line: [www.mayline.com](http://www.mayline.com)

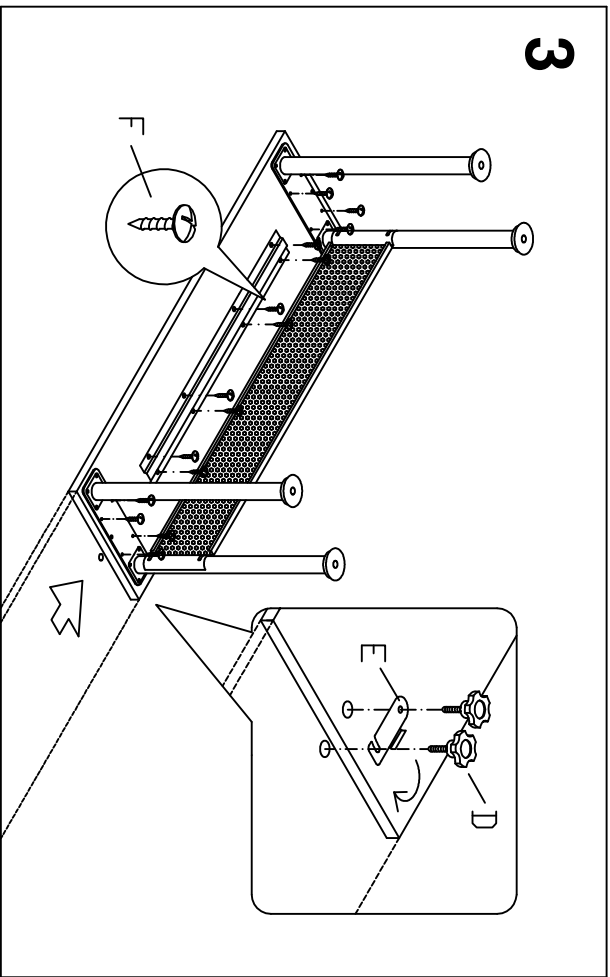
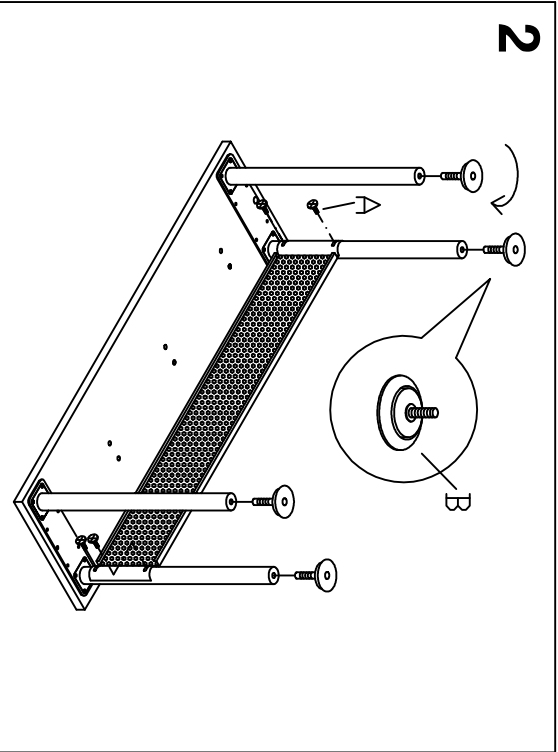
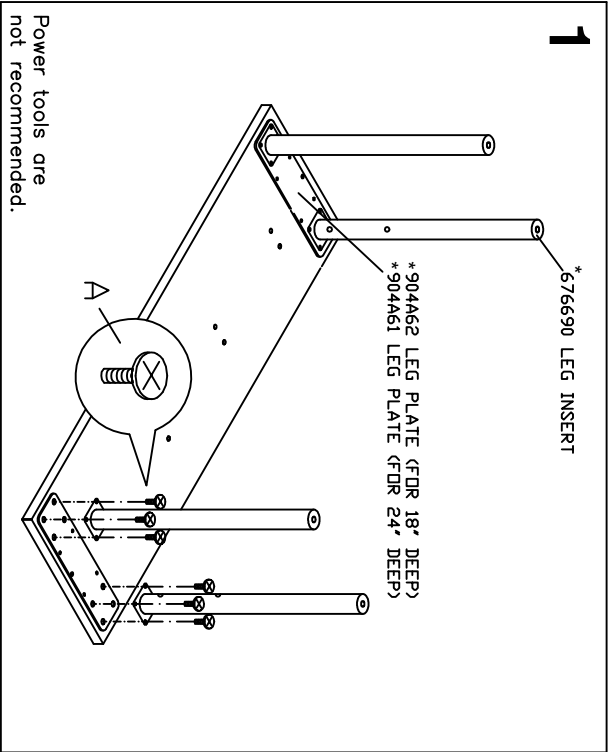
When ordering components, specific color and/or size information may be required.  
 Contact a Mayline Customer Service Representative. 1-800-822-8037

\* Individual items. Order by part number.

1872REFLKBK  
 1872RECRYBLK  
 2472REFLKBK  
 2472RECRYBLK  
 INSTRUCTION SHEET



ITEMS A-F  
 990831 \*  
 HARDWARE  
 BAG



# MAYLINE®

Mayline Company, LLC  
 619 N. Commerce, P.O. Box 728  
 Sheboygan, WI 53082-0728  
 Toll Free: 1-800-822-8037  
 FAX: 920-457-7388  
 On Line: [www.mayline.com](http://www.mayline.com)

When ordering components, specific color and/or size information may be required.  
 Contact a Mayline Customer Service Representative. 1-800-822-8037

\* Individual Items. Order by part number.

1860REFLKBLK  
 1860RECRYBLK  
 2448REFLKBK  
 2448RECRYBLK  
 2460REFLKBK  
 2460RECRYBLK  
 INSTRUCTION SHEET

A X20



B X4



C X1



D X2



E X1

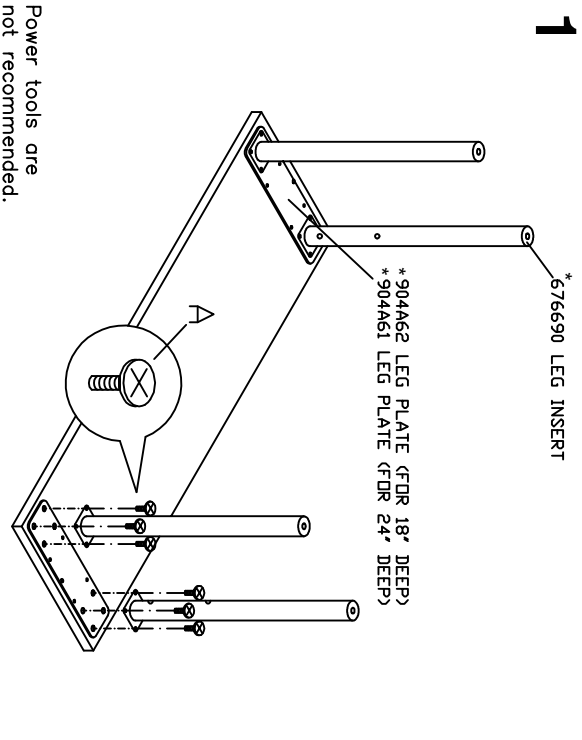


F X8

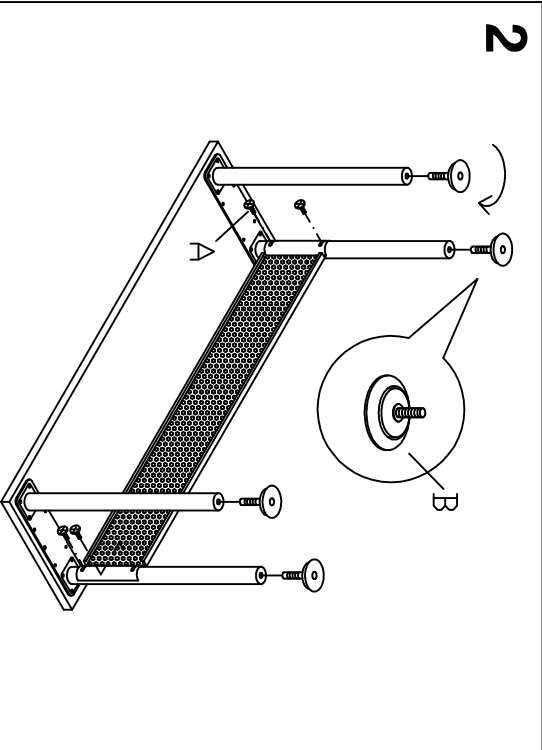


ITEMS A-F  
 REPLACEMENT  
 HARDWARE  
 BAG 990831 \*  
 MAY HAVE  
 EXTRA ITEMS

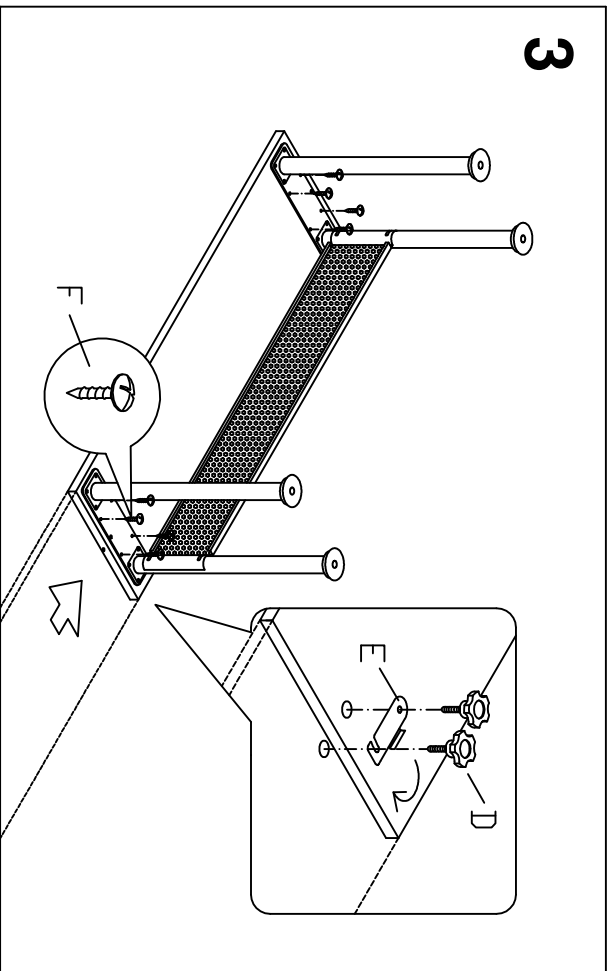
1



2



3



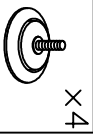
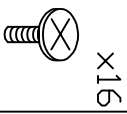
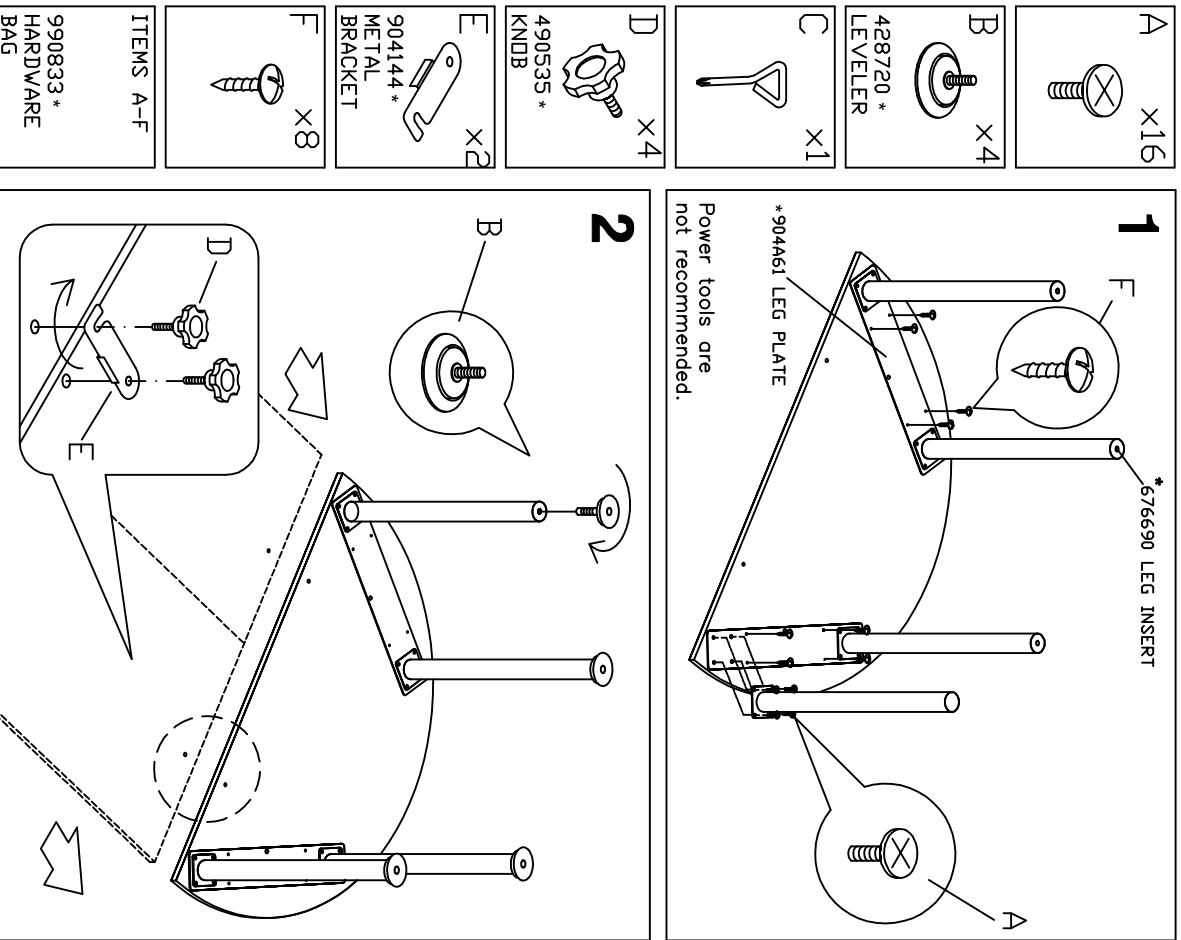
# MAYLINE®

Mayline Company, LLC  
 619 N. Commerce, P.O. Box 728  
 Sheboygan, WI 53082-0728  
 Toll Free: 1-800-822-8037  
 FAX: 920-457-7388  
 On Line: [www.mayline.com](http://www.mayline.com)

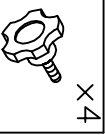
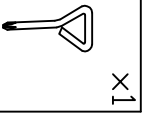
When ordering components, specific color and/or size information may be required.  
 Contact a Mayline Customer Service Representative: 1-800-822-8037

\* Individual Items. Order by part number.

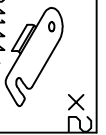
2448HEFLKBLK  
 2448HECRYBLK  
 INSTRUCTION SHEET



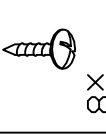
428720 \*  
LEVELLER



490535 \*  
KNIB

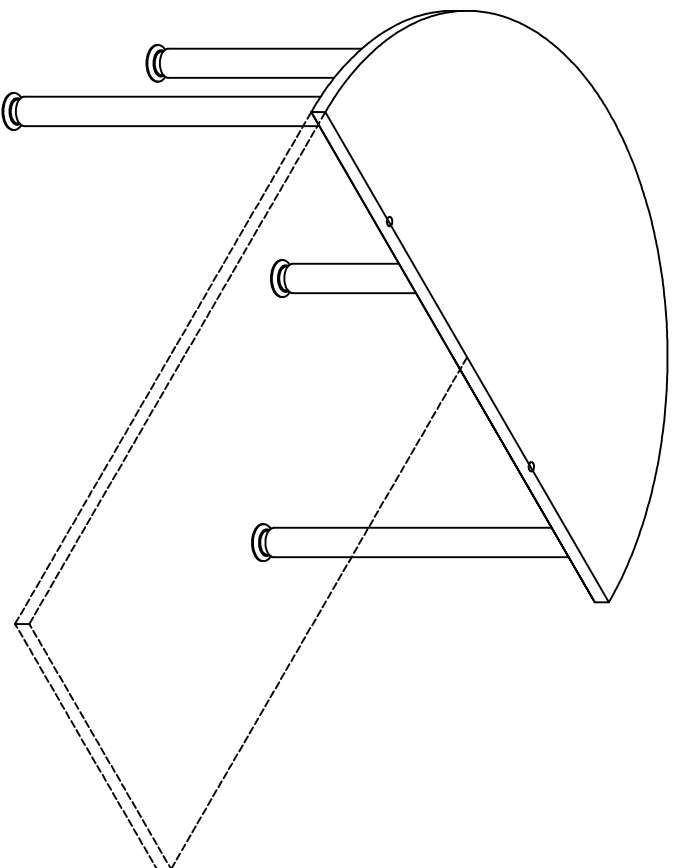


904144 \*  
METAL  
BRACKET



ITEMS A-F

990833 \*  
HARDWARE  
BAG



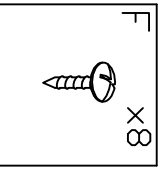
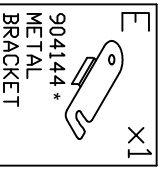
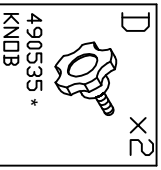
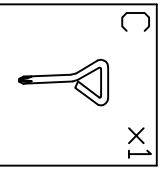
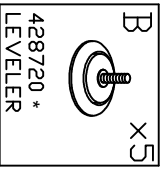
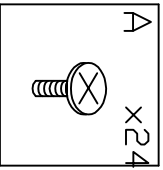
# MAYLINE®

Mayline Company, LLC  
 619 N. Commerce, P.O. Box 728  
 Sheboygan, WI 53082-0728  
 Toll Free: 1-800-822-8037  
 FAX: 920-457-7388  
 On Line: [www.mayline.com](http://www.mayline.com)

When ordering components, specific color and/or size information may be required.  
 Contact a Mayline Customer Service Representative. 1-800-822-8037

\* Individual items. Order by part number.

2448CF1KB1K  
 2448CECRYBK  
 INSTRUCTION SHEET



ITEMS A-F  
 990834 \*  
 HARDWARE  
 BAG

