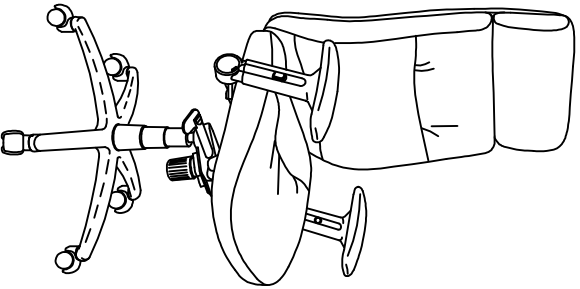


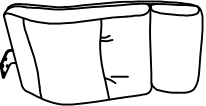



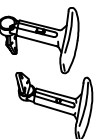
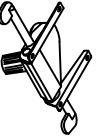

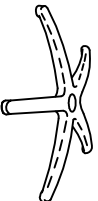
ASSEMBLY INSTRUCTIONS
MERCADO PIVOT ARM HIGH-BACK CHAIR
MODEL NO. FL



PARTS LIST FL

When ordering components, specific color and/or size information may be required.
 Contact a Mayline Customer Service Representative. 1-800-822-8037

** Individual Items, Order by part number.
 ** Denotes Color Code*

<p>A * Reference Letter</p> <p>Part Number CM105** Back</p> <p>Reference Letter</p>		<p>1</p>	<p>G * Reference Letter</p> <p>Part Number CM475 Cylinder</p> <p>Reference Letter</p>		<p>1</p>																																				
<p>B * Reference Letter</p> <p>Part Number CM124** Seat</p> <p>Reference Letter</p>		<p>1</p>	<p>H * Reference Letter</p> <p>Part Number CM190 Cylinder Cover</p>		<p>1</p>																																				
<p>C * Reference Letter</p> <p>Part Number CM143 Arms (pair)</p> <p>Reference Letter</p>		<p>1</p>	<p>Part Number CM219 * Hardware Pack</p> <table border="1"> <thead> <tr> <th>Reference Letter</th> <th>Quantity</th> <th>Spare</th> </tr> </thead> <tbody> <tr> <td>J</td> <td style="text-align: center;">4</td> <td style="text-align: center;">1</td> </tr> <tr> <td>Screw M8 x 22mm</td> <td></td> <td></td> </tr> <tr> <td>K</td> <td style="text-align: center;">4</td> <td style="text-align: center;">1</td> </tr> <tr> <td>Reference Letter</td> <td></td> <td></td> </tr> <tr> <td>Screw M8 x 27mm</td> <td></td> <td></td> </tr> <tr> <td>Reference Letter</td> <td></td> <td></td> </tr> <tr> <td>L</td> <td style="text-align: center;">6</td> <td style="text-align: center;">1</td> </tr> <tr> <td>Screw 1/4"-20 x 1-1/4"</td> <td></td> <td></td> </tr> <tr> <td>Reference Letter</td> <td></td> <td></td> </tr> <tr> <td>M</td> <td style="text-align: center;">2</td> <td></td> </tr> <tr> <td>Allen Wrench</td> <td></td> <td></td> </tr> </tbody> </table>			Reference Letter	Quantity	Spare	J	4	1	Screw M8 x 22mm			K	4	1	Reference Letter			Screw M8 x 27mm			Reference Letter			L	6	1	Screw 1/4"-20 x 1-1/4"			Reference Letter			M	2		Allen Wrench		
Reference Letter	Quantity	Spare																																							
J	4	1																																							
Screw M8 x 22mm																																									
K	4	1																																							
Reference Letter																																									
Screw M8 x 27mm																																									
Reference Letter																																									
L	6	1																																							
Screw 1/4"-20 x 1-1/4"																																									
Reference Letter																																									
M	2																																								
Allen Wrench																																									
<p>D * Reference Letter</p> <p>Part Number CM160 Mechanism</p> <p>Reference Letter</p>		<p>1</p>																																							
<p>E * Reference Letter</p> <p>Part Number CM210 Castor (5 pack)</p> <p>Reference Letter</p>		<p>5</p>																																							
<p>F * Reference Letter</p> <p>Part Number CM204 Base</p>		<p>1</p>																																							

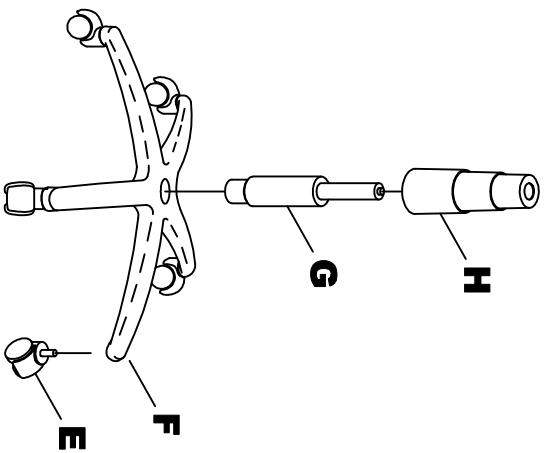
IMPORTANT!

Review ALL instructions before beginning assembly. These instructions are provided to avoid problems that may occur from improper assembly or installation. Mayline and/or its distributor are not responsible for failure resulting from improper assembly or installation of this product. Moreover, all warranties are void for failure to follow these assembly instructions.

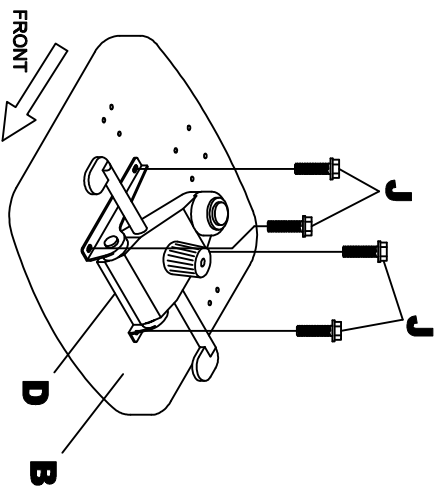


MAYLINE®

Mayline Company, LLC
 619 N. Commerce, P.O. Box 728
 Shakopee, MN 55082-0728
 Toll Free: 1-800-822-8037
 FAX: 920-457-7388
 On Line: www.mayline.com

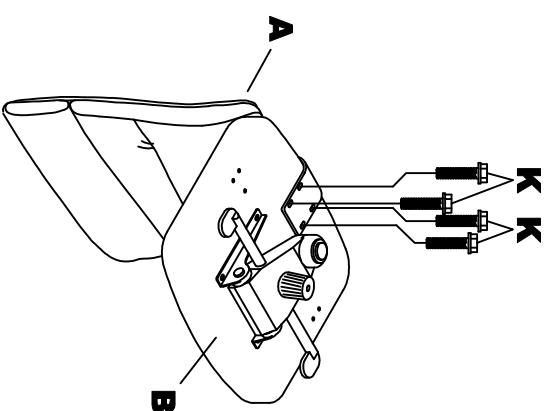


1. Place Base (F) upside down and push Casters (E) firmly into base. 5 places.
2. Turn Base right side up and insert Cylinder (G) into center hole of Base.
3. Place Cylinder Cover (H) over Cylinder.

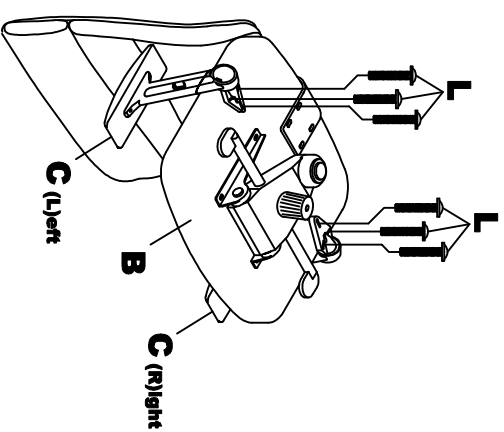


4. Assemble Mechanism (D) onto Seat (B) using Screws (J) 4 Places.

(3)

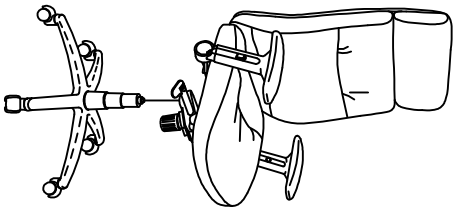


5. Assemble Back (A) onto Seat (B) using Screws (K) 4 places.



6. Assemble Arm (C) 2 places onto Seat (B) using Screws (L) 6 places.

(4)



7. Carefully place chair assembly onto base assembly.

Note:

Periodically (Every 90 days) make sure screws are fully tightened.

OPERATING INSTRUCTIONS FOR DELUXE KNEE-TILT MECHANISM

1. Seat Height Adjustment.

To raise the seat, pull lever upward and raise your body up slightly to allow the chair to rise to the desired height.

To lower the seat, pull lever upward and apply weight downward on the seat.

2. Seat Tilt Adjustment Lock

Pull lever upward and allow the chair to tilt backwards.

To lock to the desired position push lever downward.

To release tilt adjustment, pull lever upward, apply weight onto the back cushion and then lean forward.

3. Tilt Tension Control Knob.

Turn knob clockwise to increase tilt tension.

Turn knob counter-clockwise to decrease tilt tension.

