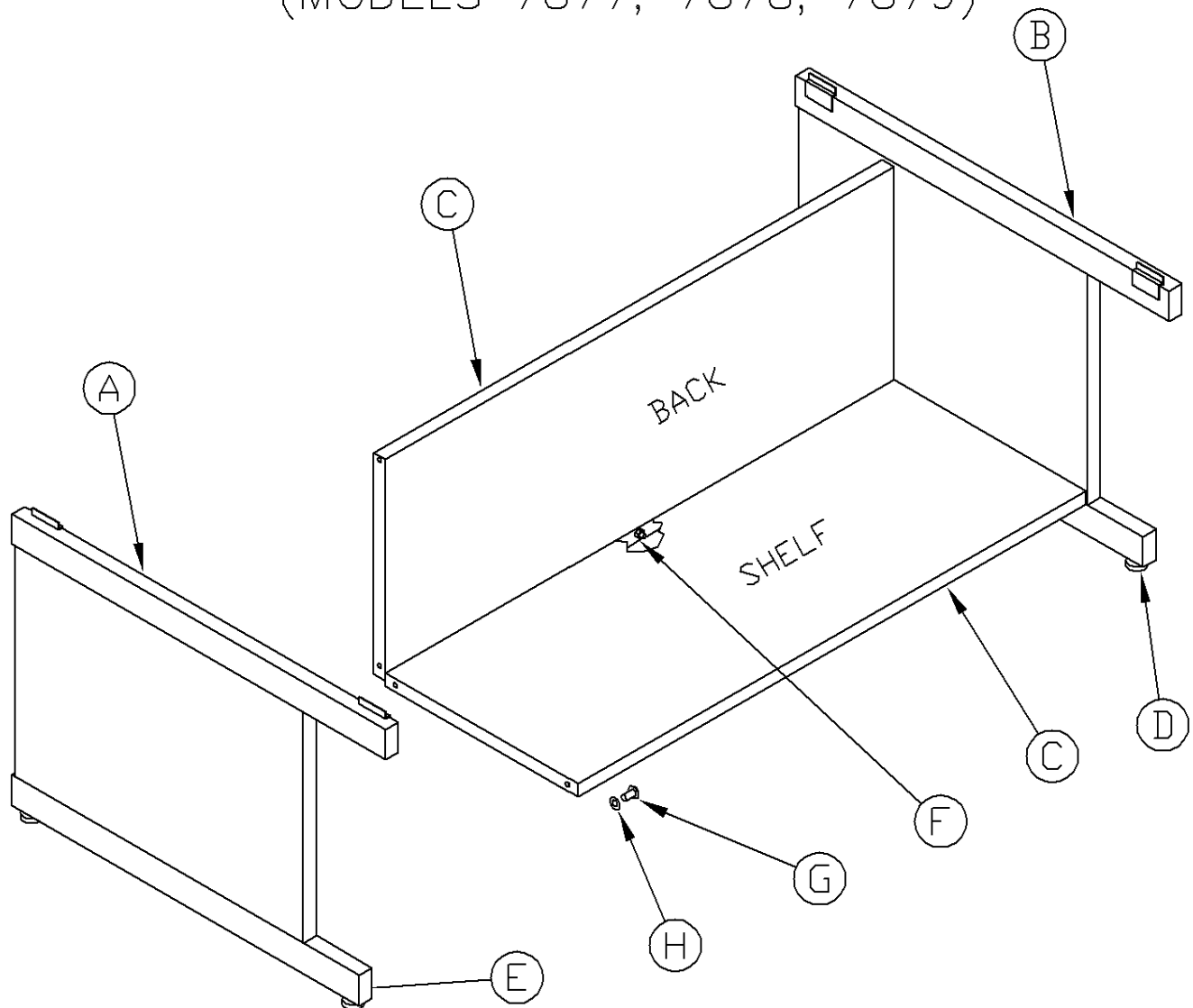


ASSEMBLY INSTRUCTIONS

PLAN FILE HIGH BASE

(MODELS 7877, 7878, 7879)



COMPONENT PARTS LIST

- A. END ASSEMBLY L.H.
- B. END ASSEMBLY R.H.
- C. SHELF/BACK
- D. ADJ. GLIDE
- E. END CAPS
- F. 1/4-28 KEPS NUT
- G. 1/4-28 X 1/2" RD. HD. SCREW
- H. 1/4" WASHER

1. Screw glides (D) into inserts on end assemblies (A) and (B).
2. Tap end caps (E) into tubes on end assemblies (A) and (B).
3. Position shelf (C) with the two holes in center of panel to the back of base. Fasten shelf (C) to end assemblies (A) and (B) using screws (G) and washers (H).
4. Position back (C) with the two holes in center of panel to the bottom of base. Fasten back (C) to end assemblies using screws (G) and washers (H).
5. Fasten center of shelf and back using screw (G) and nut (F).

MAYLINE® Mayline Company, LLC
 619 N. Commerce, P.O. Box 728
 Sheboygan, WI 53082-0728
 Phone: 920-457-5537
 Toll Free: 1-800-822-8037
 FAX: 920-457-7388