

ASSEMBLY INSTRUCTIONS


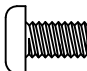


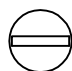

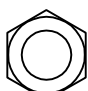

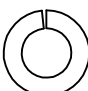



TechWorks™ Tables

NOTE: Please count and inspect all pieces before disposing of any carton or packing materials.

COMPONENTS: When ordering components, specific color and/or size information may be required. Contact a Mayline Customer Service Representative. 1-800-822-8037

REF. #	QTY.	DESCRIPTION	PART No.	
1	1	TOP	CALL~~**	
2	2	SPREADER	CALL~~**	** Denotes Color Code
3	2	UPPER LEG ASSEMBLY	A7104**	~~Denotes Size
4	2	LOWER LEG ASSEMBLY	A7603**	

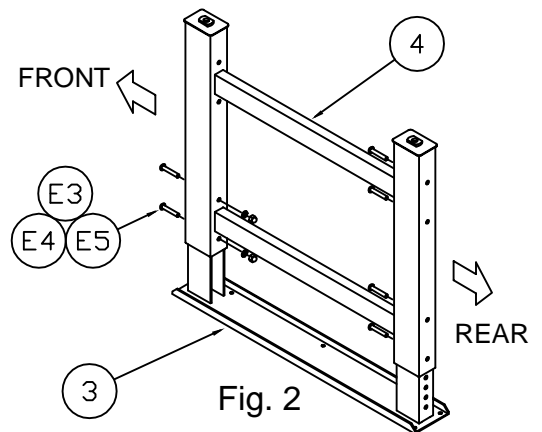
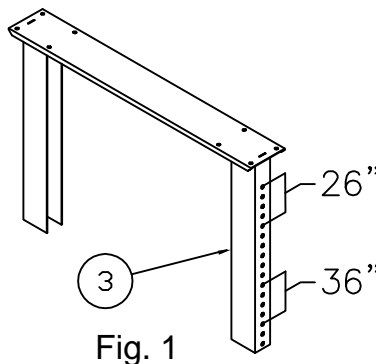
HARDWARE BAG (PART No. A7071) *for individual item, order that part number

REF. #	QTY.	DESCRIPTION	PART No.		
E1	16	1/4-20 X 1/2 SCREW	X352*		
E2	4	GLIDE	Q588*		
E3	12	5/16-18 X 3 1/2 SCREW	X241*		
E4	12	5/16-18 HEX NUT	T130*		
E5	12	LOCK WASHER	W77*		
E6	4	HOLE PLUG	F639*		

1. Select height for table using the holes in the Upper Leg (3). See Fig. 1

2. Insert Screws (E3) through Lower Leg (4) and Upper Leg (3) at the desired height (six places). Secure using Lock Washer (E5) and Hex Nut (E4) two places in FRONT as shown. Screws only at REAR. Do not tighten hardware at this time.

3. Repeat steps 1 and 2 for the other leg.



MAYLINE®

619 N. Commerce, P.O. Box 728, Sheboygan, WI 53082-0728
www.mayline.com 800-822-8037 Fax 920-457-7388

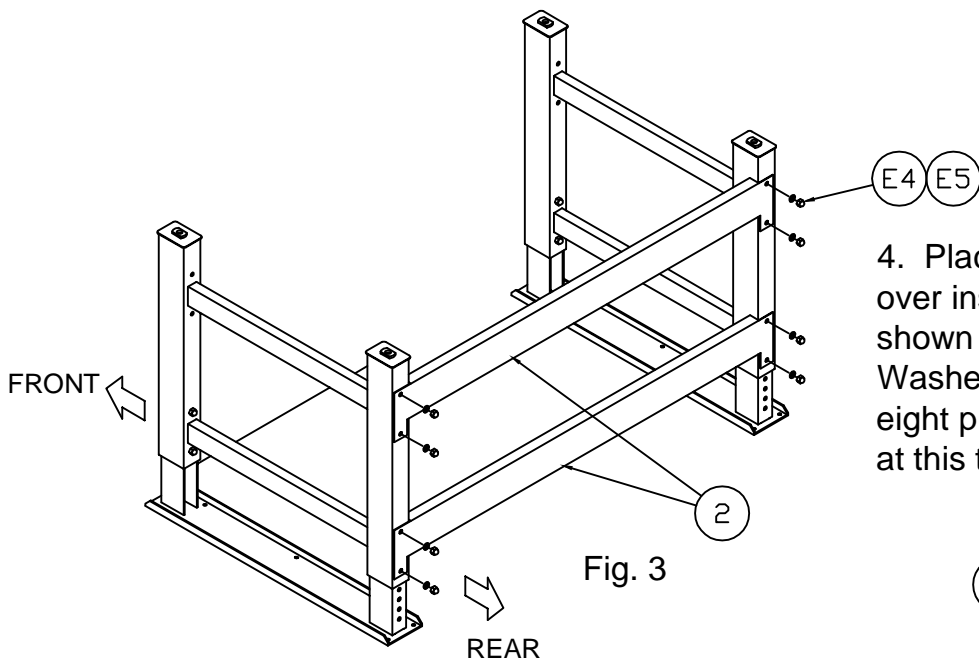


Fig. 3

4. Place Spreaders (2) in position over inserted screws at REAR as shown in Fig. 3. Secure using Lock Washers (E5) and Hex Nuts (E4) in eight places. Do not tighten hardware at this time.

5. Place Top (1) upside down. Place leg assembly onto the Top. Align holes in leg assembly with inserts in the top. See Fig. 4

6. Fasten Leg Assembly to Top using Screws (E1).

7. Screw Glides (E2) into threaded holes in Lower Leg (4).

8. Tighten all hardware.

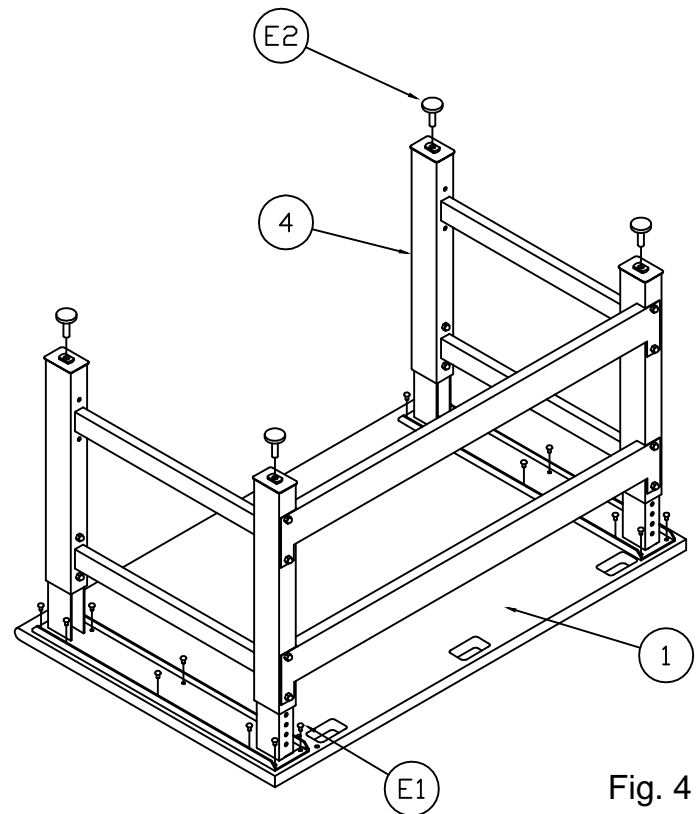
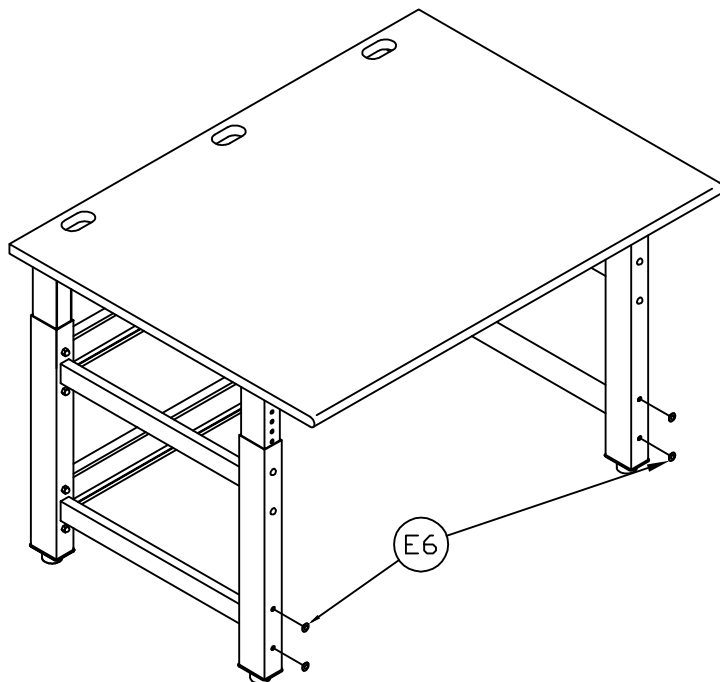


Fig. 4



9. Flip table into an upright position.

10. Insert Hole Plugs (E6) into lower front of table legs.