

# ASSEMBLY INSTRUCTIONS


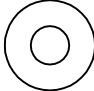
## TechWorks™ Powerstrip

**NOTE:** Please count and inspect all pieces before disposing of any carton or packing materials.

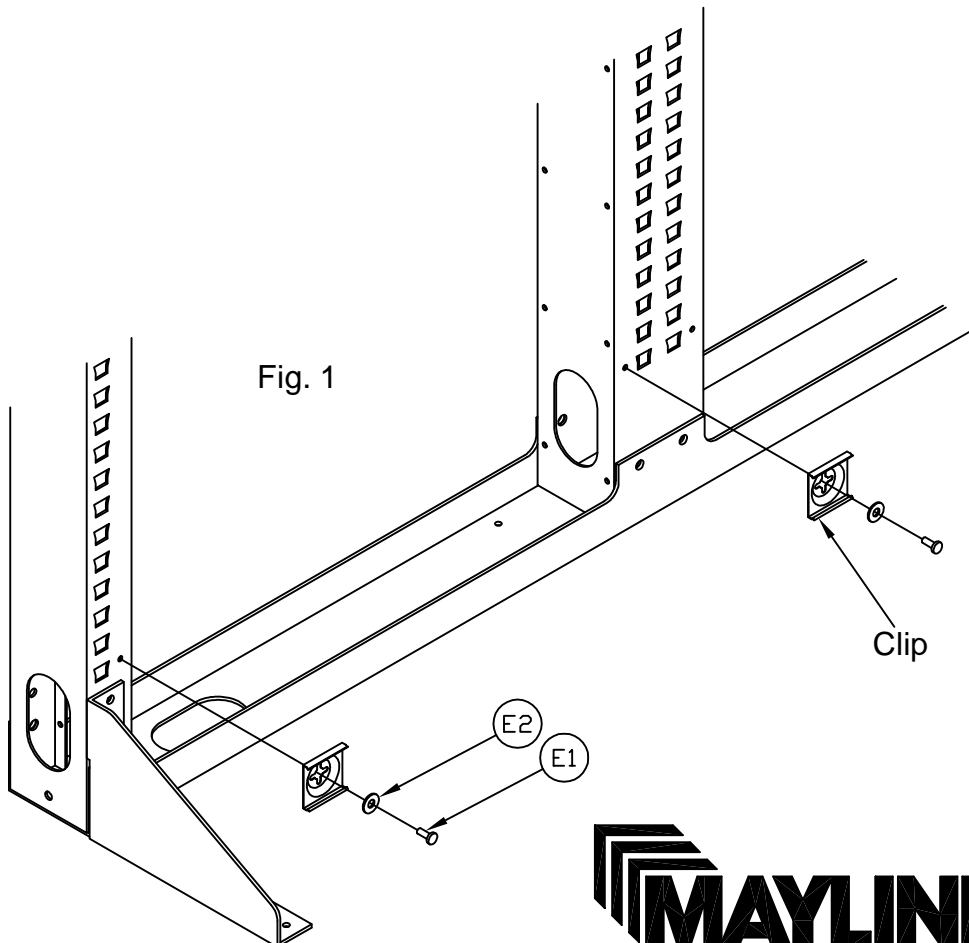
**COMPONENTS** When ordering components, specific color and/or size information may be required. Contact a Mayline Customer Service Representative. 1-800-822-8037

<u>REF. #</u>	<u>QTY.</u>	<u>DESCRIPTION</u>	<u>PART No.</u>	
1	1	POWERSTRIP with CLIPS	CALL~~	~~Denotes Size

**HARDWARE BAG (PART No. A7188)** \*for individual item, order that part number

<u>REF. #</u>	<u>QTY.</u>	<u>DESCRIPTION</u>	<u>PART No.</u>	
E1	2	#10-32 X 1/2 THREAD CUTTING SCREW	X204*	
E2	2	WASHER	W13*	

1. Attach Clips to Uprights using Washers (E2) and Screws (E1). See Fig. 1



2. Snap the powerstrip (1) into the clips (2). See Fig. 2

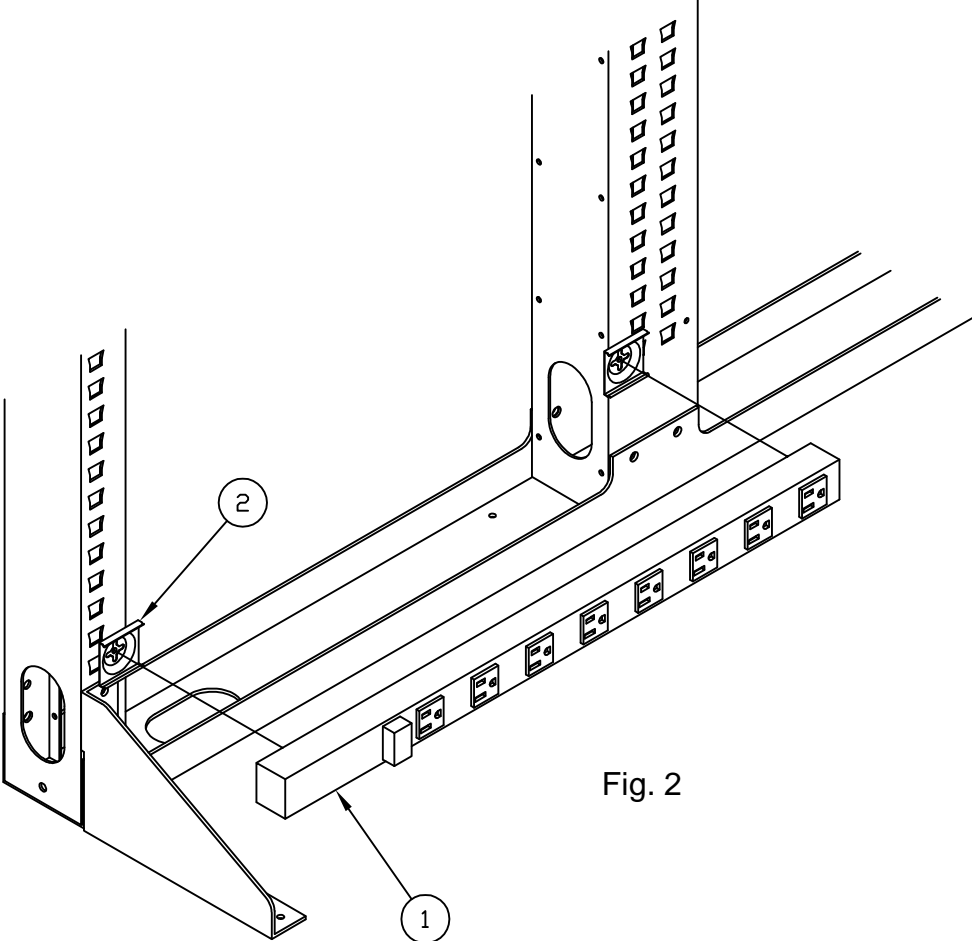


Fig. 2